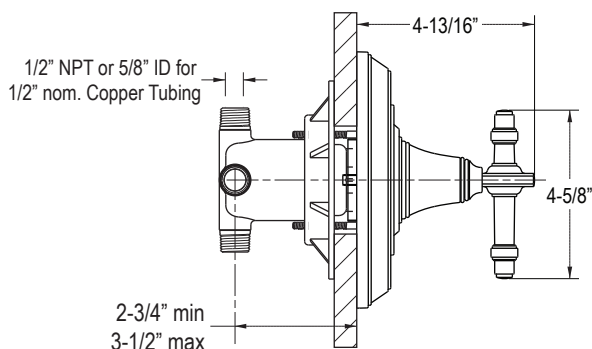


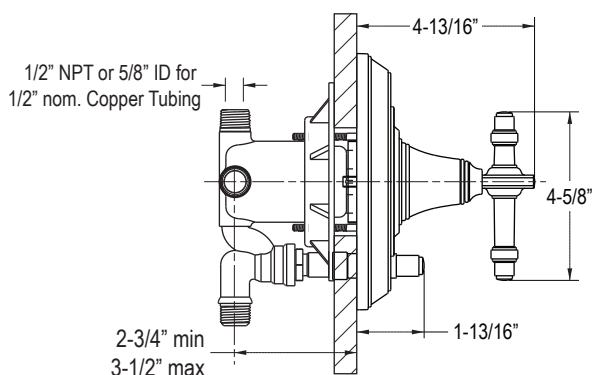
FEATURES

- Brass Construction
- Front Seal Plate Assembly
- Completes the Inigo Collection

P23115, P23116



P23115-LV



P23116-LV

SPECIFIED MODEL				
Model	Description	Finishes		
P23115-LV	Inigo Pressure Balance Trim, Lever Handles	<input type="checkbox"/> CP Polished Chrome	<input type="checkbox"/> AD Nickel Silver	<input type="checkbox"/> AG Brushed Nickel
P23116-LV	Inigo Pressure Balance Trim with Diverter, Lever Handles	<input type="checkbox"/> CP Polished Chrome	<input type="checkbox"/> AD Nickel Silver	<input type="checkbox"/> AG Brushed Nickel
Required Rough-in				
P19300-BB	Rough-in for P23115	<input type="checkbox"/> NA		
P19300-WS	Rough-in with Stops for P23115	<input type="checkbox"/> NA		
P29303-BB	High-Flow Rough-in for P23115	<input type="checkbox"/> NA		
P19301-BB	Rough-in for P23116	<input type="checkbox"/> NA		
P19301-WS	Rough-in with Stops for P23116	<input type="checkbox"/> NA		

We reserve the right to make revisions without notice in the design of products or in packaging unless this right has specifically been waived at the time the order is accepted.