

KALLISTA®

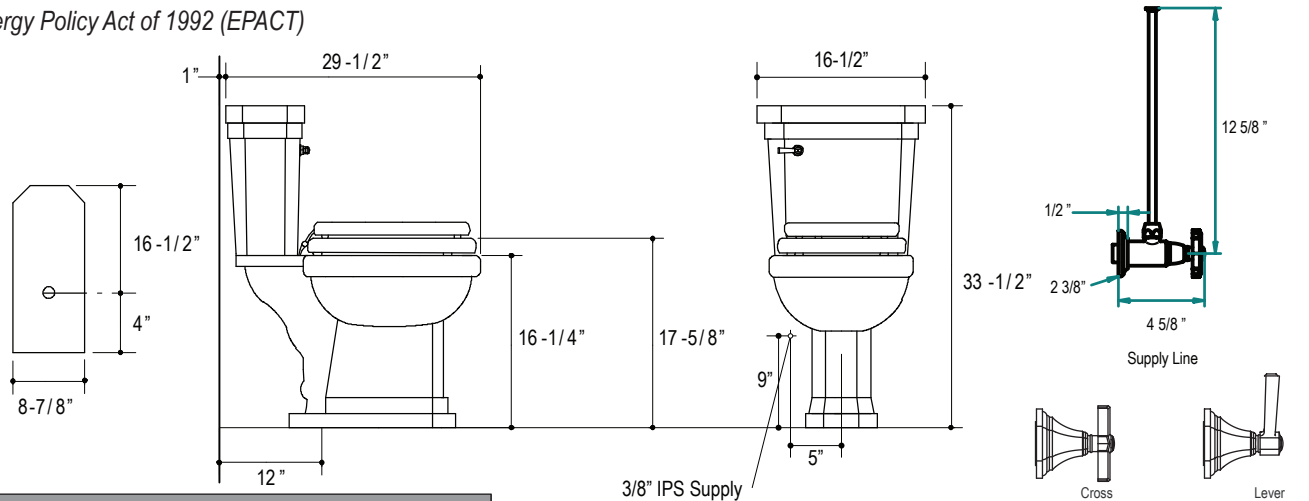
Town Two-Piece Toilet

CODES/STANDARDS APPLICABLE

Specified Model Meets or Exceeds the Following:

- ASME/ANSI A112.19.2M
- ASME/ANSI A112.19.6M
- Energy Policy Act of 1992 (EPACT)

P70101, P70102 Combination P70100



| PRODUCT INFORMATION | |
|------------------------|-------------|
| Gallons Per Flush | 1.6 Gallons |
| Passageway | 2" |
| Seat Post Hole Centers | 5-1/2" |
| Waterspot | 5" x 5" |

| ADDITIONAL INFORMATION |
|------------------------|
| Gravity fed rim flush |

SPECIFIED MODEL

| Model | Description | Finishes | | |
|---------------------------------|--|---|---|--|
| P70101-00 | Town Elongated Bowl | <input type="checkbox"/> 0 Stucco White | <input type="checkbox"/> 96 Linen | |
| P70102-00 | Town Tank | <input type="checkbox"/> 0 Stucco White | <input type="checkbox"/> 96 Linen | |
| Required Accessories (Pick One) | | | | |
| P70103-CP | Colored Toilet Seat with Chrome Hinges, Elongated | <input type="checkbox"/> 0 Stucco White | <input type="checkbox"/> 96 Linen | |
| P70103-AD | Colored Toilet Seat with Nickel Silver Hinges, Elongated | <input type="checkbox"/> 0 Stucco White | <input type="checkbox"/> 96 Linen | |
| P70103-AG | Colored Toilet Seat with Brushed Nickel Silver Hinges, Elongated | <input type="checkbox"/> 0 Stucco White | <input type="checkbox"/> 96 Linen | |
| Optional Accessory | | | | |
| P70104-00 | Town Trip Lever Upgrade | <input type="checkbox"/> CP Polished Chrome | <input type="checkbox"/> AD Nickel Silver | <input type="checkbox"/> AG Brushed Nickel |
| P21633-00 | Town Toilet Supply Valve, Cross Handle | <input type="checkbox"/> CP Polished Chrome | <input type="checkbox"/> AD Nickel Silver | <input type="checkbox"/> AG Brushed Nickel |
| P21633-LV | Town Toilet Supply Valve, Lever Handle | <input type="checkbox"/> CP Polished Chrome | <input type="checkbox"/> AD Nickel Silver | <input type="checkbox"/> AG Brushed Nickel |
| P21633-CC | Town Toilet Supply Valve, Crystal Cross Handle | <input type="checkbox"/> CP Polished Chrome | <input type="checkbox"/> AD Nickel Silver | <input type="checkbox"/> AG Brushed Nickel |
| P21633-BC | Town Toilet Supply Valve, Black Obsidian Cross Handle | <input type="checkbox"/> CP Polished Chrome | <input type="checkbox"/> AD Nickel Silver | <input type="checkbox"/> AG Brushed Nickel |
| P21633-GC | Town Toilet Supply Valve, Green Nephrite Cross Handle | <input type="checkbox"/> CP Polished Chrome | <input type="checkbox"/> AD Nickel Silver | <input type="checkbox"/> AG Brushed Nickel |

We reserve the right to make revisions without notice in the design of products or in packaging unless this right has specifically been waived at the time the order is accepted.