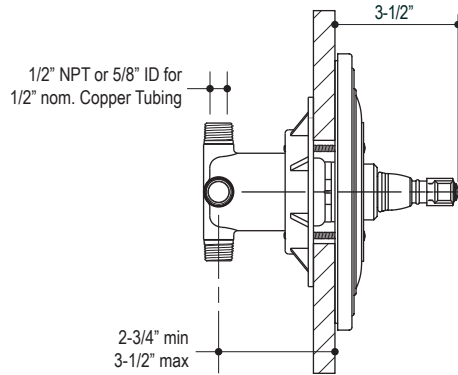


CODES/STANDARDS APPLICABLE

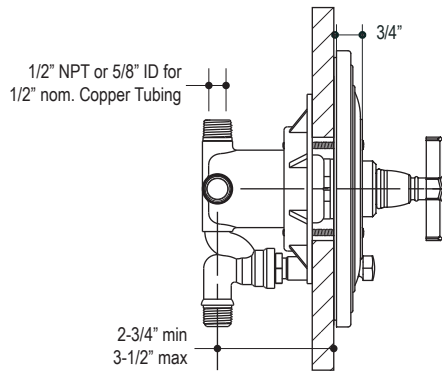
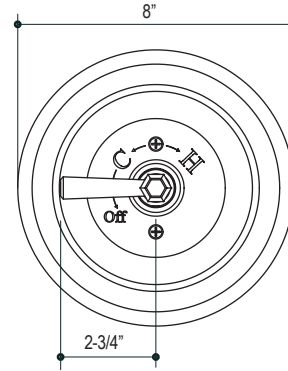
Specified Model Meets or Exceeds the Following:

- ASSE/ANSI 1016
- ADA

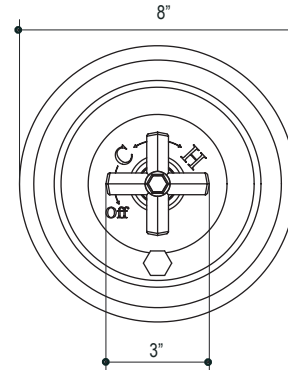
P22715, P22716



P22715



P22716



SPECIFIED MODEL

Model	Description	Finishes		
P22715-CC	Town Pressure Balance Valve Trim, Crystal, Cross Handle	<input type="checkbox"/> CP Polished Chrome	<input type="checkbox"/> AD Nickel Silver	<input type="checkbox"/> AG Brushed Nickel
P22715-BC	Town Pressure Balance Valve Trim, Black Obsidian, Cross Handle	<input type="checkbox"/> CP Polished Chrome	<input type="checkbox"/> AD Nickel Silver	<input type="checkbox"/> AG Brushed Nickel
P22715-GC	Town Pressure Balance Valve Trim, Green Nephrite Jade, Cross Handle	<input type="checkbox"/> CP Polished Chrome	<input type="checkbox"/> AD Nickel Silver	<input type="checkbox"/> AG Brushed Nickel
P19300-BB	Rough In- Assembly	<input type="checkbox"/> NA		
P19300-WS	Rough In- Assembly with Stops	<input type="checkbox"/> NA		
P29303-BB	High Flow Rough In- Assembly	<input type="checkbox"/> NA		
P22716-CC	Town Pressure Balance Valve Trim, with Diverter, Crystal, Cross Handle	<input type="checkbox"/> CP Polished Chrome	<input type="checkbox"/> AD Nickel Silver	<input type="checkbox"/> AG Brushed Nickel
P22716-BC	Town Pressure Balance Valve Trim, w/ Diverter, Black Obsidian, Cross Handle	<input type="checkbox"/> CP Polished Chrome	<input type="checkbox"/> AD Nickel Silver	<input type="checkbox"/> AG Brushed Nickel
P22716-GC	Town Pressure Balance Valve Trim, w/ Diverter, Green Nephrite Jade, Cross Handle	<input type="checkbox"/> CP Polished Chrome	<input type="checkbox"/> AD Nickel Silver	<input type="checkbox"/> AG Brushed Nickel
P19301-BB	Rough In- Assembly	<input type="checkbox"/> NA		
P19301-WS	Rough In- Assembly with Stops	<input type="checkbox"/> NA		

We reserve the right to make revisions without notice in the design of products or in packaging unless this right has specifically been waived at the time the order is accepted.