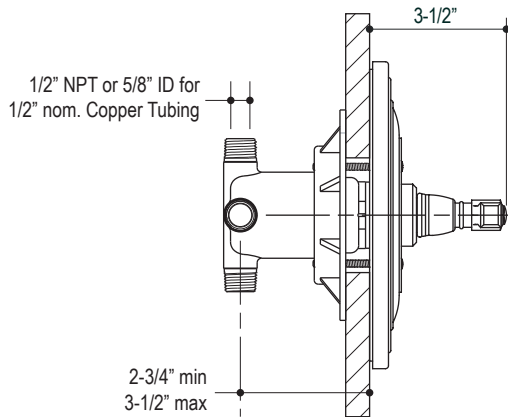


CODES/STANDARDS APPLICABLE

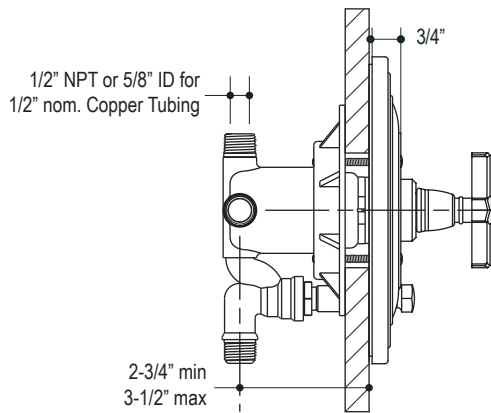
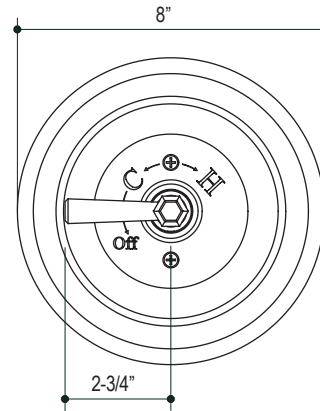
Specified Model Meets or Exceeds the Following:

- ASSE/ANSI 1016
- ADA

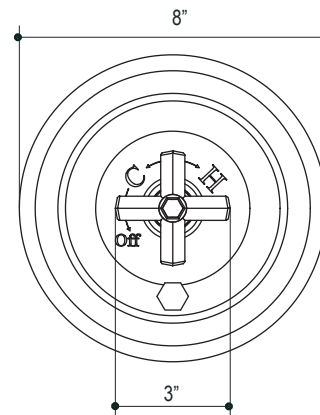
P22715, P22716



P22715



P22716



SPECIFIED MODEL

Model	Description	Finishes	
P22715-XX	Town Pressure Balance Valve Trim, Cross Handle	<input type="checkbox"/> CP Polished Chrome	<input type="checkbox"/> AD Nickel Silver
P22715-LV	Town Pressure Balance Valve Trim, Lever Handle	<input type="checkbox"/> AG Brushed Nickel	
P19300-BB	Rough In- Assembly	<input type="checkbox"/> NA	
P19300-WS	Rough In- Assembly with Stops	<input type="checkbox"/> NA	
P29303-BB	High Flow Rough In- Assembly	<input type="checkbox"/> NA	
P22716-XX	Town Pressure Balance Valve Trim with diverter, Cross Handle	<input type="checkbox"/> CP Polished Chrome	<input type="checkbox"/> AD Nickel Silver
P22716-LV	Town Pressure Balance Valve Trim with diverter, Lever Handle	<input type="checkbox"/> AG Brushed Nickel	
P19301-BB	Rough In- Assembly	<input type="checkbox"/> NA	
P19301-WS	Rough In- Assembly with Stops	<input type="checkbox"/> NA	

We reserve the right to make revisions without notice in the design of products or in packaging unless this right has specifically been waived at the time the order is accepted.