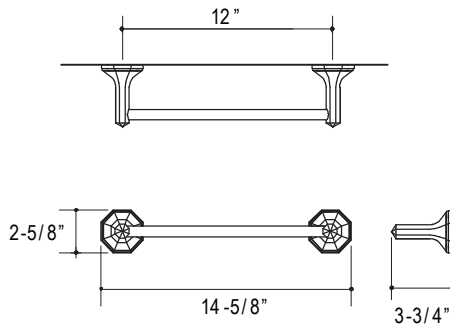


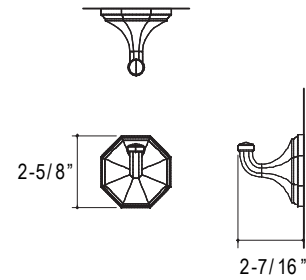
FEATURES

- Brass Construction
- Concealed Mounting

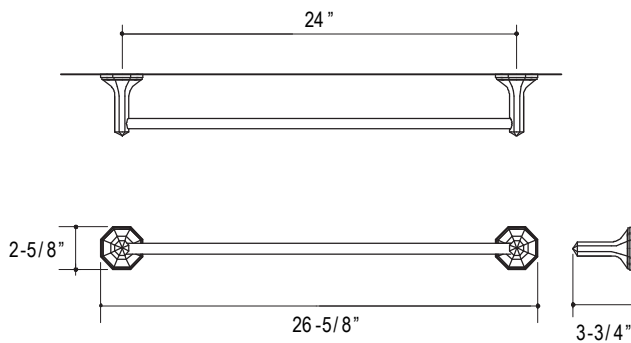
P31000, P31001
P31006, P31008



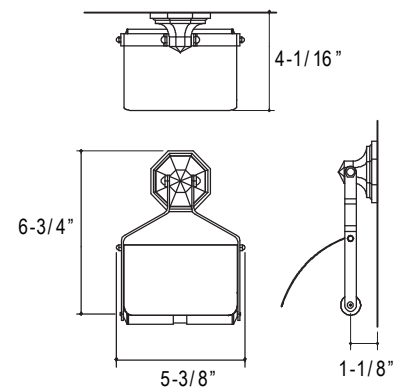
P31001



P31006



P31000



P31008

SPECIFIED MODEL

| Model | Description | Finishes | | |
|-----------|----------------------|---|---|--|
| P31000-00 | Towel Bar, 24" | <input type="checkbox"/> CP Polished Chrome | <input type="checkbox"/> AD Nickel Silver | <input type="checkbox"/> AG Brushed Nickel |
| P31001-00 | Towel Bar, 12" | <input type="checkbox"/> CP Polished Chrome | <input type="checkbox"/> AD Nickel Silver | <input type="checkbox"/> AG Brushed Nickel |
| P31006-00 | Robe Hook | <input type="checkbox"/> CP Polished Chrome | <input type="checkbox"/> AD Nickel Silver | <input type="checkbox"/> AG Brushed Nickel |
| P31008-00 | Toilet Tissue Holder | <input type="checkbox"/> CP Polished Chrome | <input type="checkbox"/> AD Nickel Silver | <input type="checkbox"/> AG Brushed Nickel |

We reserve the right to make revisions without notice in the design of products or in packaging unless this right has specifically been waived at the time the order is accepted.