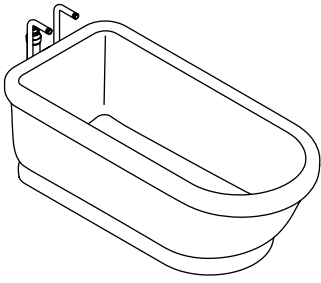


Installation Guide

Michael Smith Bath With Tower Drain

P50030



Français, page "Français-1"
Español, página "Español-1"

1019340-2-A

KALLISTA®

Tools and Materials



Level



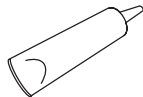
1/4" Hex
Wrench



Tape
Measure



Plumbers
Putty



Silicone Sealant

Plus:

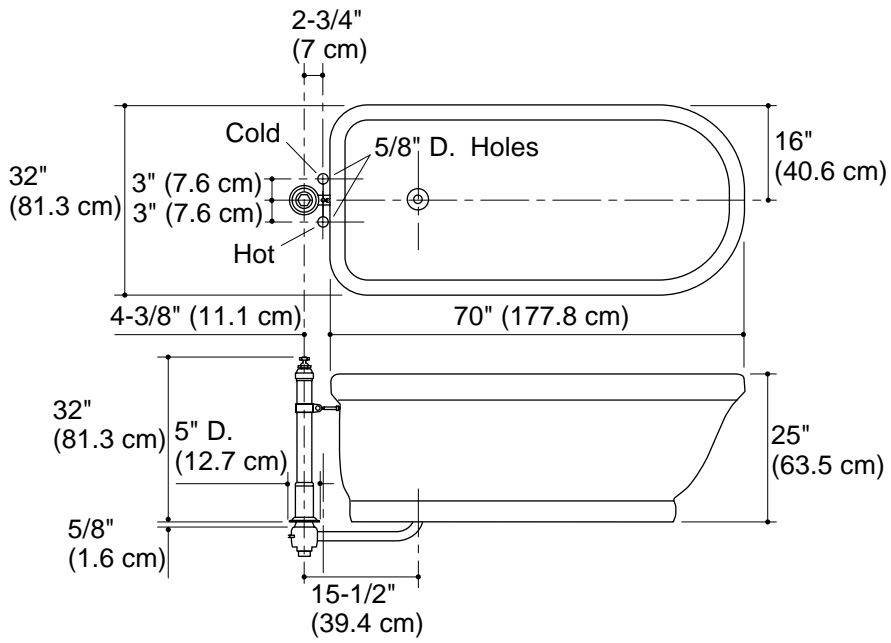
- Drop Cloth

Thank You For Choosing Kallista

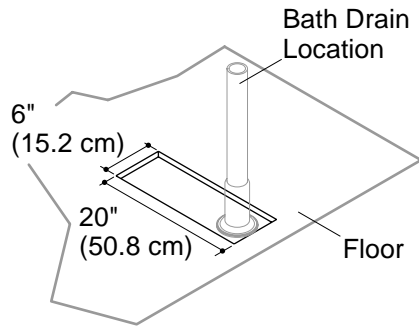
We appreciate your commitment to Kallista quality. Please take a few minutes to review this manual before you start installation. If you encounter any installation or performance problems, please don't hesitate to contact us. Our phone numbers and website are listed on the back cover. Thanks again for choosing Kallista.

Before You Begin

- Observe all local plumbing and building codes.
- Carefully inspect the bath and drain for damage before installing.
- Install the bath to a level subfloor.
- The basin area requires no additional support when the subfloor is level. Consider using shims if the floor is uneven.
- Protect the bathroom floor during installation.
- Ensure that there is proper access to the final plumbing connections.



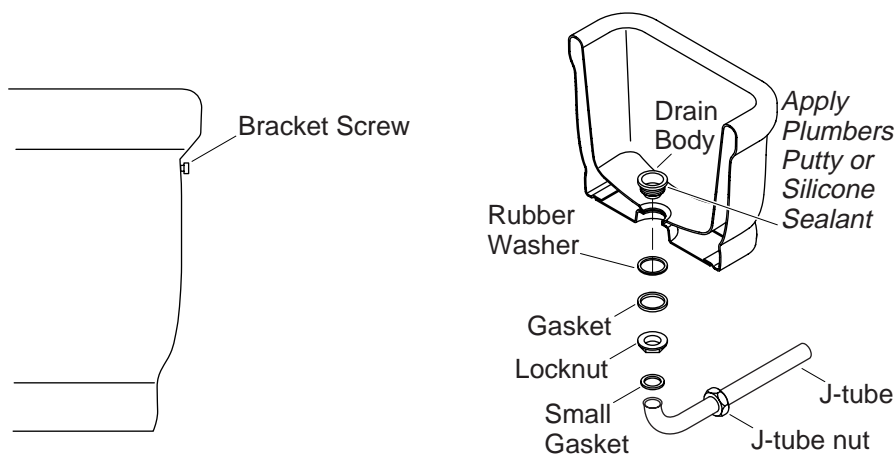
1. Roughing-in Dimensions



2. Prepare the Site

NOTE: If you do not have access to the subfloor from below, this installation requires an approximately 6" (15.2 cm) wide by 20" (50.8 cm) long opening for proper installation of the tower drain.

- When installing from below, drill two 5/8" diameter holes for the hot and cold supplies in the location shown in the rough-in diagram. If the installation is completed from above, the holes may need to be drilled when the finished floor is installed.
- Prepare the flooring under the bath.
- Make sure the subfloor and finished floor are level.
- Install the rough plumbing according to the roughing-in dimensions.
- Cap the supplies, and check for leaks.



3. Install the Drain Assembly



WARNING: Risk of product damage. Do not overtighten the bracket screw or the exterior of the bath may crack.

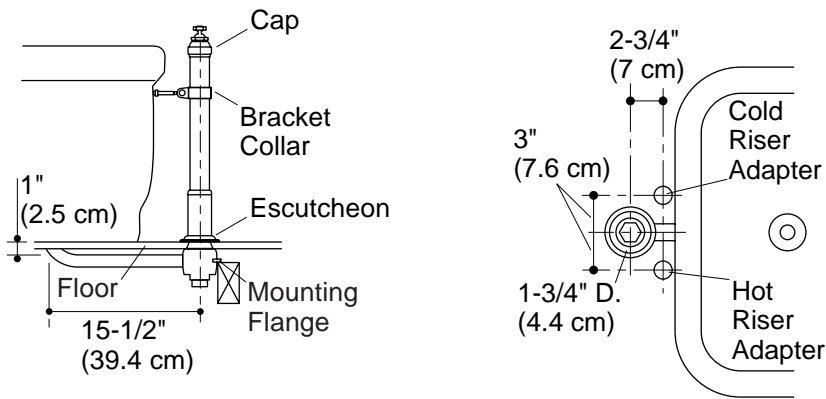
- ❑ Install the bracket screw using a 1/4" hex wrench. The bracket screw has left hand threads, and must be turned counterclockwise to tighten. **Do not overtighten.**
- ❑ Apply a ring of plumbers putty to the base of the drain body.
- ❑ Insert the drain body into the drain hole.
- ❑ Assemble the rubber washer, gasket, and locknut onto the drain body.
- ❑ Securely tighten the locknut using a wrench.

NOTE: Do not reposition the drain after the locknut is tightened.

- ❑ Align the small gasket onto the drain body.
- ❑ Align the J-tube with the drain body and thread the nut to the drain body. Securely tighten using a wrench.

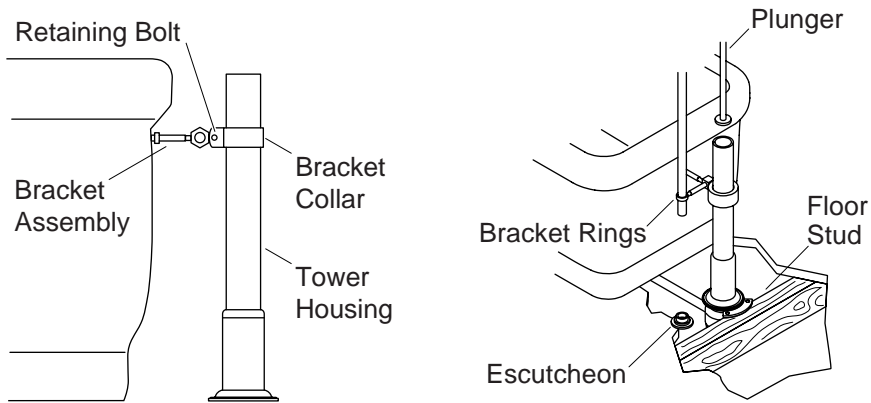
4. Install the Bath

- ❑ Carefully move the bath into position. Protect the bath surface with a drop cloth.
- ❑ Make sure the bath is level.
- ❑ Install shims between the bath and floor if necessary.



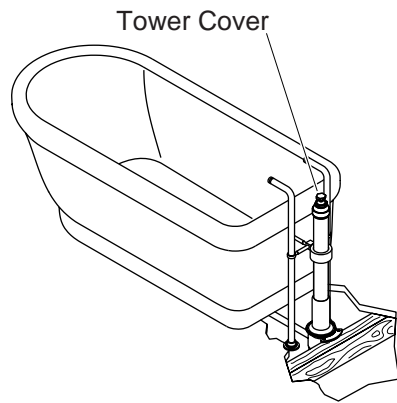
5. Attach the Tower to the Drain

- Remove the cap by turning it counterclockwise.
- When the threads are fully disengaged, slowly turn the cap while lifting until the plunger is clear of the tower.
- Carefully set the plunger assembly aside.
- Attach the tower housing to the J-tube.
- Ensure the casting is level and fixed to a joist.
- Apply petroleum jelly to the inside of the escutcheon.
- Carefully slide the escutcheon onto the tower. Slide the escutcheon all the way to the base of the tower.
- Install and secure 1/2" NPT pipe to the hot and cold locations. Locate the hot and cold riser adapters 1" (2.5 cm) below floor level.
- Make sure the adapters are level.
- Tighten the adapters.



6. Install the Bracket Assembly

- Thread the bracket assembly to the bracket screw.
- Slide the bracket collar over the tower housing.
- Install the retaining bolt through the collar and the bracket assembly.
- Slide the floor risers through the bracket rings on the bracket assembly.
- Secure the risers to the corresponding adapters.
- Install the hot and cold supply escutcheons.
- Slide the plunger assembly into the overflow tube inside the tower housing.
- Thread the cap onto the tower.
- Make sure all bath drain, tower drain, and supply connections are properly sealed.
- Provide access to the plumbing connections for future maintenance.



7. Complete the Installation

- Install the bath faucet to the floor risers following the faucet installation instructions.
- Tighten the riser bracket setscrews.
- Complete the finished floor.

1019340-2-A

1019340-2-A

1019340-2-A

USA/Canada: 1-888-4-KALLISTA

Fax: 1-888-272-3094

kallista.com

KALLISTA.

©2004 KALLISTA

1019340-2-A