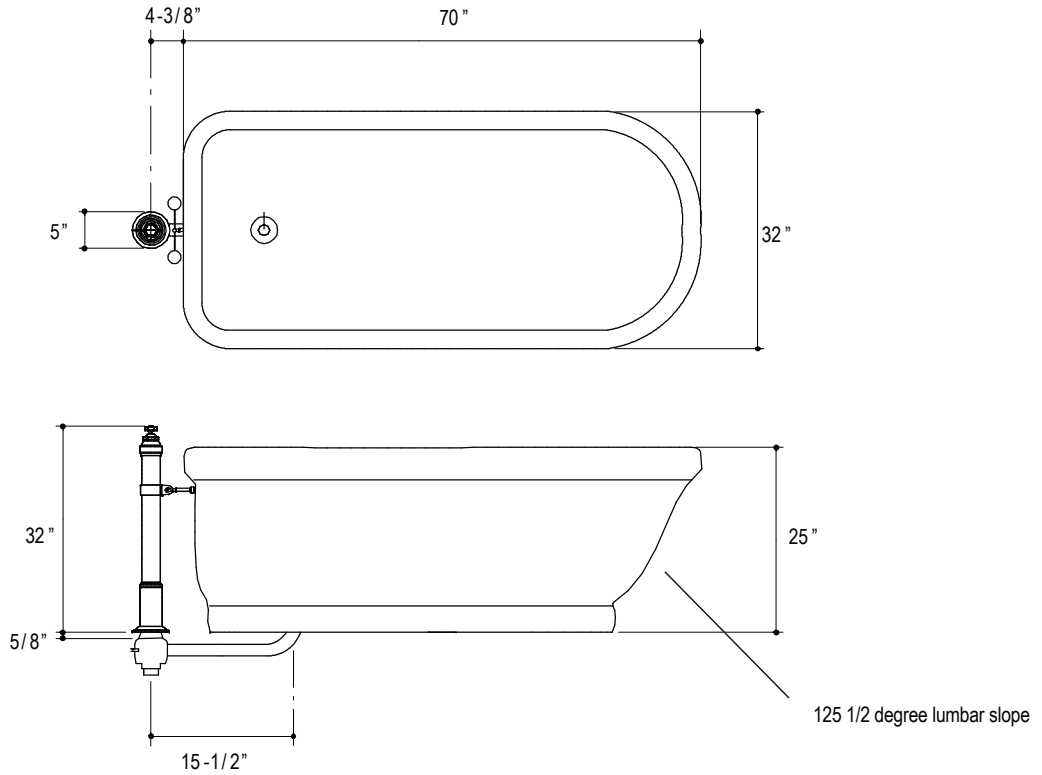


CODES/STANDARDS APPLICABLE

P50030

Specified Model Meets or Exceeds the Following:

- *UL or ASME Stamped or Listed*



PRODUCT INFORMATION			
Fixture *:	Top Area	Inside Area	Weight
Bathing Well	70" x 32"	62-1/2" X 24"	150 Lbs.
	Water Depth	Capacity	
To Overflow	20"	72 Gal.	
Tower Drain Outlet	3-1/2"		
* Approximate Measurements for Comparison Only			

SPECIFIED MODEL				
Model	Description	Finishes		
P50030-00	Town Bath	<input type="checkbox"/> 0 Stucco White		
Required Accessory				
P21577-00	Town Tower Drain	<input type="checkbox"/> CP Polished Chrome	<input type="checkbox"/> AD Nickel Silver	<input type="checkbox"/> AG Brushed Nickel

We reserve the right to make revisions without notice in the design of products or in packaging unless this right has specifically been waived at the time the order is accepted.