

KALLISTA®

Town Thermostatic Valve Trim

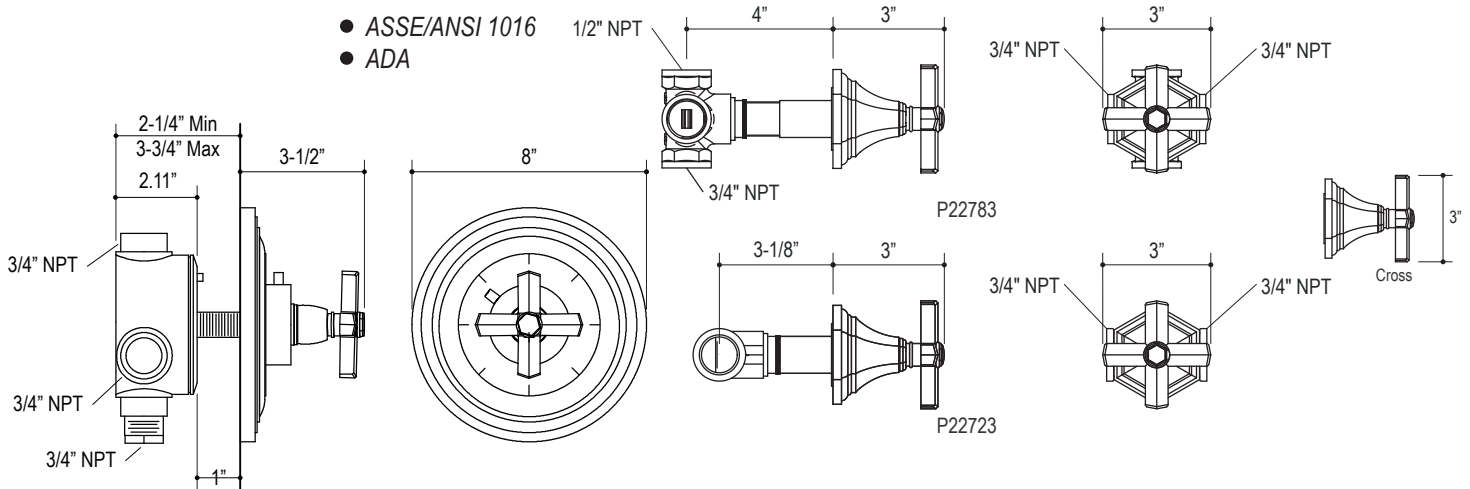
FEATURES

- Brass Construction

CODES/STANDARDS APPLICABLE P22722, P22723, P22783

Specified Model Meets or Exceeds the Following:

- ASSE/ANSI 1016
- ADA



SPECIFIED MODEL

Model	Description	Finishes		
P22722-CC	Town Thermostatic Valve Trim, Crystal, Cross Handles	<input type="checkbox"/> CP Polished Chrome	<input type="checkbox"/> AD Nickel Silver	<input type="checkbox"/> AG Brushed Nickel
P22722-BC	Town Thermostatic Valve Trim, Black Obsidian, Cross Handles	<input type="checkbox"/> CP Polished Chrome	<input type="checkbox"/> AD Nickel Silver	<input type="checkbox"/> AG Brushed Nickel
P22722-GC	Town Thermostatic Valve Trim, Green Nephrite Jade, Cross Handles	<input type="checkbox"/> CP Polished Chrome	<input type="checkbox"/> AD Nickel Silver	<input type="checkbox"/> AG Brushed Nickel
P19108-00	Rough-In Assembly	<input type="checkbox"/> N/A		
Required Accessory				
P22723-CP	Town Volume Control Trim, Crystal, Cross Handle	<input type="checkbox"/> CP Polished Chrome	<input type="checkbox"/> AD Nickel Silver	<input type="checkbox"/> AG Brushed Nickel
P22723-BP	Town Volume Control Trim, Black Obsidian, Cross Handle	<input type="checkbox"/> CP Polished Chrome	<input type="checkbox"/> AD Nickel Silver	<input type="checkbox"/> AG Brushed Nickel
P22723-GP	Town Volume Control Trim, Green Nephrite Jade, Cross Handle	<input type="checkbox"/> CP Polished Chrome	<input type="checkbox"/> AD Nickel Silver	<input type="checkbox"/> AG Brushed Nickel
P19104-00	Rough-In Assembly	<input type="checkbox"/> N/A		
Optional Accessory				
P22723- <input type="checkbox"/> CY Cold <input type="checkbox"/> CX Hot	Town Wall Bath Trim, Crystal, Cross Handle	<input type="checkbox"/> CP Polished Chrome	<input type="checkbox"/> AD Nickel Silver	<input type="checkbox"/> AG Brushed Nickel
P22723- <input type="checkbox"/> BY Cold <input type="checkbox"/> BX Hot	Town Wall Bath Trim, Black Obsidian, Cross Handle	<input type="checkbox"/> CP Polished Chrome	<input type="checkbox"/> AD Nickel Silver	<input type="checkbox"/> AG Brushed Nickel
P22723- <input type="checkbox"/> GY Cold <input type="checkbox"/> GX Hot	Town Wall Bath Trim, Green Nephrite Jade, Cross Handle	<input type="checkbox"/> CP Polished Chrome	<input type="checkbox"/> AD Nickel Silver	<input type="checkbox"/> AG Brushed Nickel
P22783-CC	Town Diverter Trim, Crystal, Cross Handle	<input type="checkbox"/> CP Polished Chrome	<input type="checkbox"/> AD Nickel Silver	<input type="checkbox"/> AG Brushed Nickel
P22783-BC	Town Diverter Trim, Black Obsidian, Cross Handle	<input type="checkbox"/> CP Polished Chrome	<input type="checkbox"/> AD Nickel Silver	<input type="checkbox"/> AG Brushed Nickel
P22783-GC	Town Diverter Trim, Green Nephrite Jade, Cross Handle	<input type="checkbox"/> CP Polished Chrome	<input type="checkbox"/> AD Nickel Silver	<input type="checkbox"/> AG Brushed Nickel
P29011-00	Rough-In Assembly	<input type="checkbox"/> N/A		
P21443-MB	Handshower Assembly	<input type="checkbox"/> CP Polished Chrome	<input type="checkbox"/> AD Nickel Silver	<input type="checkbox"/> AG Brushed Nickel
P21446-MB	Handshower w/ Wall Mount Cradle	<input type="checkbox"/> CP Polished Chrome	<input type="checkbox"/> AD Nickel Silver	<input type="checkbox"/> AG Brushed Nickel

We reserve the right to make revisions without notice in the design of products or in packaging unless this right has specifically been waived at the time the order is accepted.