

# KALLISTA®

## Town Two-Piece Toilet

### CODES/STANDARDS APPLICABLE

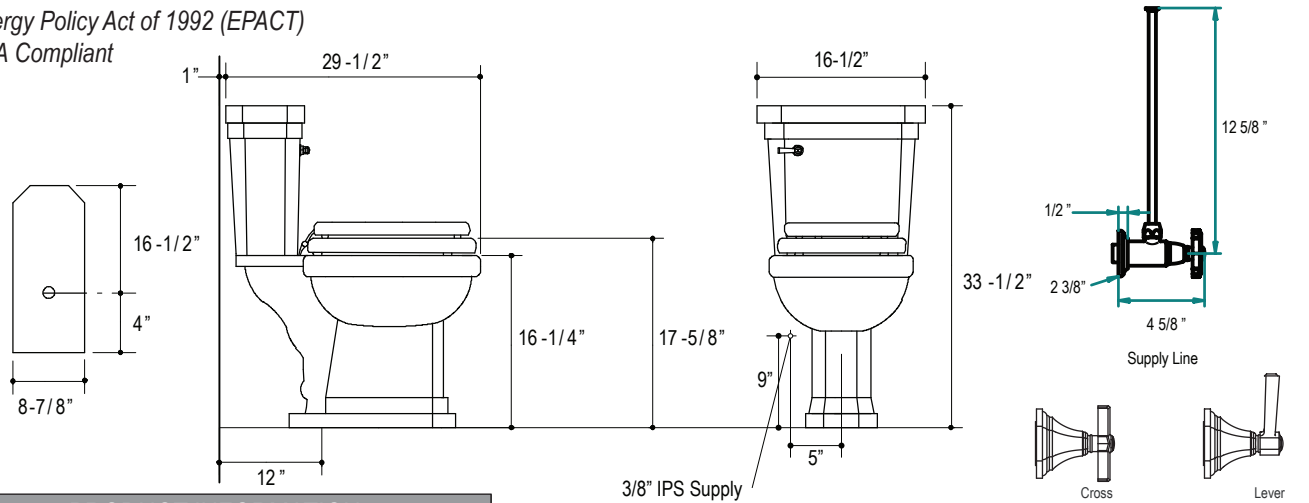
Specified Model Meets or Exceeds the Following:

- ASME/ANSI A112.19.2M
- ASME/ANSI A112.19.6M
- Energy Policy Act of 1992 (EPACT)
- ADA Compliant

P70101, P70102

ADA

### Combination P70100



PRODUCT INFORMATION	
Gallons Per Flush	1.6 Gallons
Passageway	2"
Seat Post Hole Centers	5-1/2"
Waterspot	5" x 5"

ADDITIONAL INFORMATION
Gravity fed rim flush

### SPECIFIED MODEL

Model	Description	Finishes		
P70101-00	Town Elongated Bowl	<input type="checkbox"/> 0 Stucco White	<input type="checkbox"/> 96 Linen	
P70102-00	Town Tank	<input type="checkbox"/> 0 Stucco White	<input type="checkbox"/> 96 Linen	
Required Accessories (Pick One)				
P70103-CP	Colored Toilet Seat with Chrome Hinges, Elongated	<input type="checkbox"/> 0 Stucco White	<input type="checkbox"/> 96 Linen	
P70103-AD	Colored Toilet Seat with Nickel Silver Hinges, Elongated	<input type="checkbox"/> 0 Stucco White	<input type="checkbox"/> 96 Linen	
P70103-AG	Colored Toilet Seat with Brushed Nickel Silver Hinges, Elongated	<input type="checkbox"/> 0 Stucco White	<input type="checkbox"/> 96 Linen	
Optional Accessory				
P70104-00	Town Trip Lever Upgrade	<input type="checkbox"/> CP Polished Chrome	<input type="checkbox"/> AD Nickel Silver	<input type="checkbox"/> AG Brushed Nickel
P21633-00	Town Toilet Supply Valve, Cross Handle	<input type="checkbox"/> CP Polished Chrome	<input type="checkbox"/> AD Nickel Silver	<input type="checkbox"/> AG Brushed Nickel
P21633-LV	Town Toilet Supply Valve, Lever Handle	<input type="checkbox"/> CP Polished Chrome	<input type="checkbox"/> AD Nickel Silver	<input type="checkbox"/> AG Brushed Nickel
P21633-CC	Town Toilet Supply Valve, Crystal Cross Handle	<input type="checkbox"/> CP Polished Chrome	<input type="checkbox"/> AD Nickel Silver	<input type="checkbox"/> AG Brushed Nickel
P21633-BC	Town Toilet Supply Valve, Black Obsidian Cross Handle	<input type="checkbox"/> CP Polished Chrome	<input type="checkbox"/> AD Nickel Silver	<input type="checkbox"/> AG Brushed Nickel
P21633-GC	Town Toilet Supply Valve, Green Nephrite Cross Handle	<input type="checkbox"/> CP Polished Chrome	<input type="checkbox"/> AD Nickel Silver	<input type="checkbox"/> AG Brushed Nickel

We reserve the right to make revisions without notice in the design of products or in packaging unless this right has specifically been waived at the time the order is accepted.