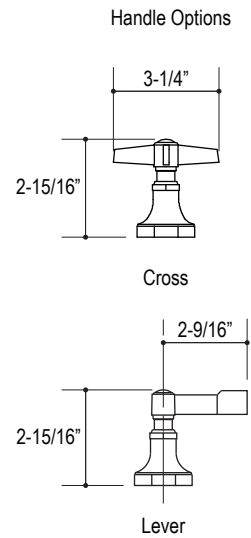
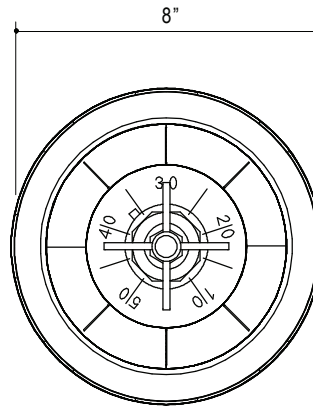
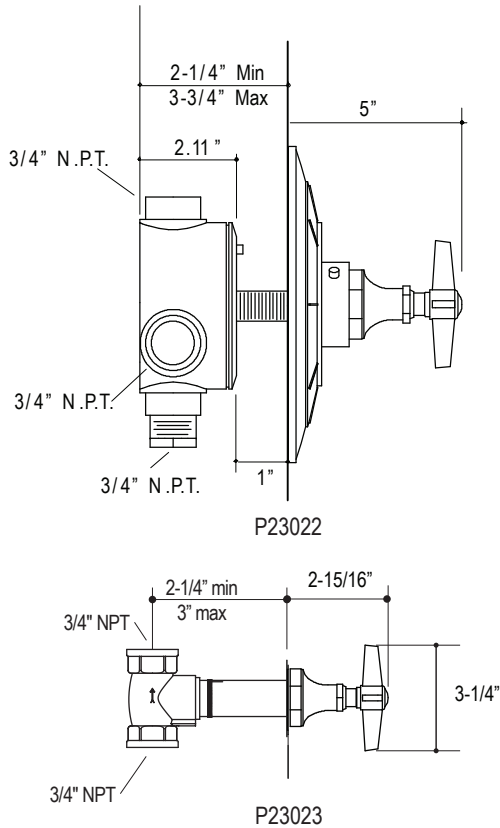


CODES/STANDARDS APPLICABLE

P23022

Specified Model Meets or Exceeds the Following:

- ASSE/ANSI 1016
- ADA



SPECIFIED MODEL			
Model	Description	Finishes	
P23022-CR	Loft Thermostatic Valve Trim, Cross Handles	<input type="checkbox"/> CP Polished Chrome <input type="checkbox"/> AG Brushed Nickel	<input type="checkbox"/> AD Nickel Silver
P23022-LV	Loft Thermostatic Valve Trim, Lever Handles	<input type="checkbox"/> CP Polished Chrome <input type="checkbox"/> AG Brushed Nickel	<input type="checkbox"/> AD Nickel Silver
P19108-00	Rough-In Assembly	<input type="checkbox"/> NA	
Required Accessory			
P23023-CR	Loft Trim for Volume Control, Cross Handle	<input type="checkbox"/> CP Polished Chrome <input type="checkbox"/> AG Brushed Nickel	<input type="checkbox"/> AD Nickel Silver
P23023-LV	Loft Trim for Volume Control, Lever Handle	<input type="checkbox"/> CP Polished Chrome <input type="checkbox"/> AG Brushed Nickel	<input type="checkbox"/> AD Nickel Silver
P19104-00	Rough-In Assembly	<input type="checkbox"/> NA	

We reserve the right to make revisions without notice in the design of faucets or in packaging unless this right has specifically been waived at the time the order is accepted.