

FEATURES

- 1 piece elongated bowl
- 1.6 gallons per flush
- Includes Chrome Trip Lever and Plastic Seat

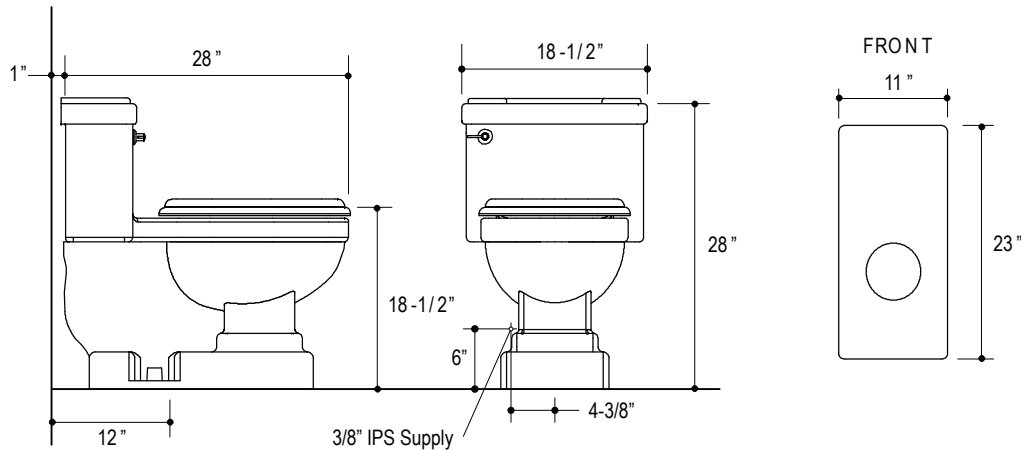
CODES/STANDARDS APPLICABLE

Specified Model Meets or Exceeds the Following:

- ASME/ANSI A112.19.2M
- ASME/ANSI A112.19.6M
- Energy Policy Act of 1992 (EPACT)
- Canadian Standards Association (CSA)
- IAPMO/UPC
- ADA when installed with an open-front toilet seat for public restrooms

P70120

ADA



PRODUCT INFORMATION	
Gallons Per Flush	1.6 Gallons
Passageway-Glazed	2-1/4"
Seat Post Hole Centers	5-1/2"
Water Area	10-1/2" x 9-1/2"

ROUGHING-IN NOTES
All Dimensions are Nominal.

SPECIFIED MODEL			
Model	Description	Finishes	
P70120-CP	Loft One-Piece Toilet Seat with Chrome Hinges	<input type="checkbox"/> 0 Stucco white	<input type="checkbox"/> 96 Linen
P70120-AD	Loft One-Piece Toilet Seat with Nickel Silver Hinges	<input type="checkbox"/> 0 Stucco white	<input type="checkbox"/> 96 Linen
P70120-AG	Loft One-Piece Toilet Seat with Brushed Nickel Hinges	<input type="checkbox"/> 0 Stucco white	<input type="checkbox"/> 96 Linen

We reserve the right to make revisions without notice in the design of products or in packaging unless this right has specifically been waived at the time the order is accepted.