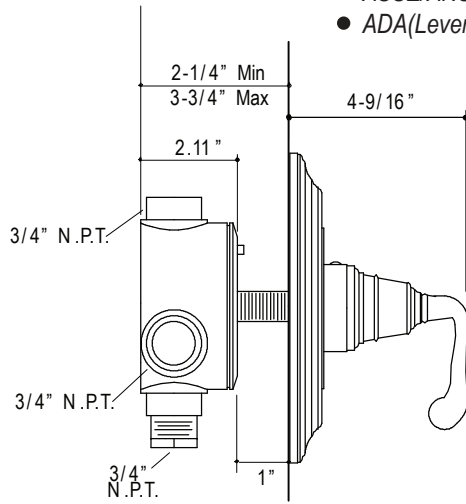


CODES/STANDARDS APPLICABLE

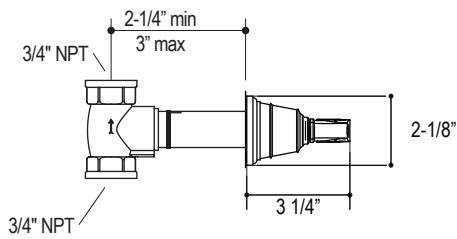
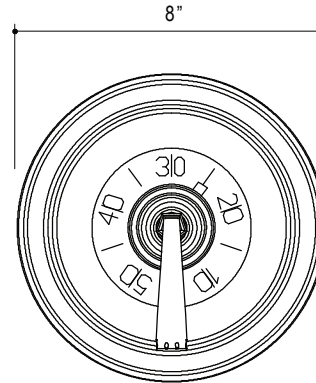
P22822, P22823

Specified Model Meets or Exceeds the Following:

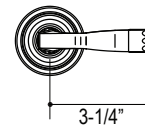
- ASSE/ANSI 1016
- ADA (Lever Handle)



P22822



P22823



SPECIFIED MODEL			
Model	Description	Finishes	
P22822-XX	Country Thermostatic Valve Trim	<input type="checkbox"/> CP Polished Chrome <input type="checkbox"/> AG Brushed Nickel	<input type="checkbox"/> AD Nickel Silver <input type="checkbox"/> SA Antique Silver
P19108-00	Rough-In Assembly	<input type="checkbox"/> NA	
Required Accessory			
P22823-LY	Country Valve Trim for Volume Control	<input type="checkbox"/> CP Polished Chrome <input type="checkbox"/> AG Brushed Nickel	<input type="checkbox"/> AD Nickel Silver <input type="checkbox"/> SA Antique Silver
P19104-00	Rough-In Assembly	<input type="checkbox"/> NA	
Optional Accessories			
P22823-LX	Country Wall Valve Trim, Lever Handle	<input type="checkbox"/> CP Polished Chrome <input type="checkbox"/> AG Brushed Nickel	<input type="checkbox"/> AD Nickel Silver <input type="checkbox"/> SA Antique Silver
P22883-XX	Country 2-Way Diverter, Lever Handle	<input type="checkbox"/> CP Polished Chrome <input type="checkbox"/> AG Brushed Nickel	<input type="checkbox"/> AD Nickel Silver <input type="checkbox"/> SA Antique Silver
P19104-00	Rough-In Assembly for P22823	<input type="checkbox"/> NA	
P29011-00	Rough-In Assembly for P22883	<input type="checkbox"/> NA	

We reserve the right to make revisions without notice in the design of products or in packaging unless this right has specifically been waived at the time the order is accepted.