

KALLISTA®

Country One-Piece Toilet

FEATURES

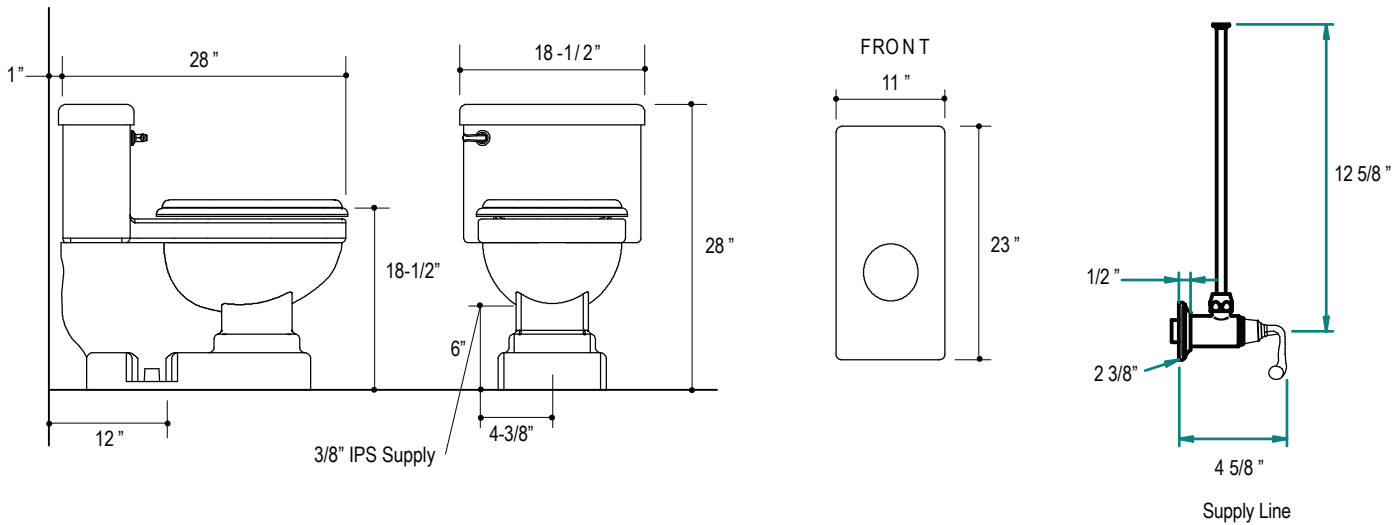
- 2" Glazed Trapway
- High Performance Toilet

CODES/STANDARDS APPLICABLE

Specified Model Meets or Exceeds the Following:

- ASME/ANSI A112.19.2M
- ASME/ANSI A112.19.6M
- Energy Policy Act of 1992 (EPACT)

P70133



| PRODUCT INFORMATION | |
|------------------------|------------------|
| Gallons per Flush | 1.6 Gallons |
| Passageway - glazed | 2-3/4" |
| Seat Post Hole Centers | 5-1/2" |
| Waterspot | 10-1/2" x 9-1/2" |

| ROUGHING-IN NOTES |
|-----------------------------|
| All Dimensions are Nominal. |

| SPECIFIED MODEL | | | | | |
|--|---|---|---|--|--|
| Model | Description | Finishes | | | |
| P70133-00 | Country One-Piece Toilet with Trip Lever | <input type="checkbox"/> Stucco White | <input type="checkbox"/> 96 Linen | | |
| Required Accessory (Pick One) | | | | | |
| P70121-CP | Country Colored Wood Toilet Seat, Chrome Hinges | <input type="checkbox"/> Stucco White | <input type="checkbox"/> 96 Linen | | |
| P70121-AD | Country Colored Wood Toilet Seat, Nickel Silver Hinges | <input type="checkbox"/> Stucco White | <input type="checkbox"/> 96 Linen | | |
| P70121-AG | Country Colored Wood Toilet Seat, Brushed Nickel Hinges | <input type="checkbox"/> Stucco White | <input type="checkbox"/> 96 Linen | | |
| P70131-CP P70131-AD P70131-AG P70131-SA | Country Mahogany Toilet Seat, Elongated | <input type="checkbox"/> KR Mahogany | | | |
| Optional Accessory | | | | | |
| P70132-00 | Country Trip Lever Upgrade | <input type="checkbox"/> CP Polished Chrome | <input type="checkbox"/> AD Nickel Silver | <input type="checkbox"/> AG Brushed Nickel | <input type="checkbox"/> SA Antique Silver |
| P21634-LV | Toilet Supply Line | <input type="checkbox"/> CP Polished Chrome | | <input type="checkbox"/> AD Nickel Silver | <input type="checkbox"/> AG Brushed Nickel |

We reserve the right to make revisions without notice in the design of products or in packaging unless this right has specifically been waived at the time the order is accepted.