

FEATURES

- 2" Glazed Trapway
- High Performance Toilet

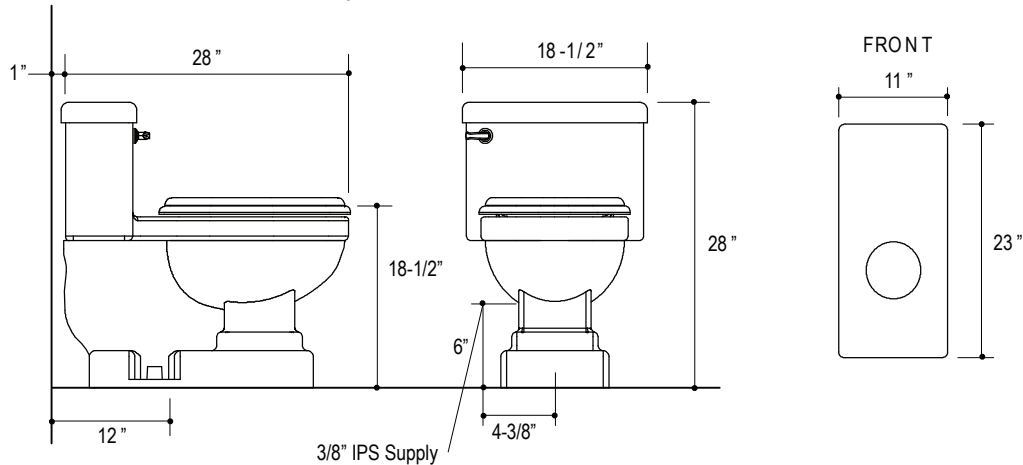
CODES/STANDARDS APPLICABLE

Specified Model Meets or Exceeds the Following:

- ASME/ANSI A112.19.2M
- ASME/ANSI A112.19.6M
- Energy Policy Act of 1992 (EPACT)
- Canadian Standards Association (CSA)
- IAPMO/UPC
- ADA when installed with an open-front toilet seat for public restrooms

P70133

ADA



PRODUCT INFORMATION	
Gallons per Flush	1.6 Gallons
Passageway - glazed	2-3/4"
Seat Post Hole Centers	5-1/2"
Waterspot	10-1/2" x 9-1/2"

ROUGHING-IN NOTES
All Dimensions are Nominal.

SPECIFIED MODEL					
Model	Description	Finishes			
P70133-00	Country One-Piece Toilet with Trip Lever	<input type="checkbox"/> Stucco White	<input type="checkbox"/> 96 Linen		
Required Accessory (Pick One)					
P70121-CP	Country Colored Wood Toilet Seat, Chrome Hinges	<input type="checkbox"/> Stucco White	<input type="checkbox"/> 96 Linen		
P70121-AD	Country Colored Wood Toilet Seat, Nickel Silver Hinges	<input type="checkbox"/> Stucco White	<input type="checkbox"/> 96 Linen		
P70121-AG	Country Colored Wood Toilet Seat, Brushed Nickel Hinges	<input type="checkbox"/> Stucco White	<input type="checkbox"/> 96 Linen		
P70131-CP P70131-AD P70131-AG P70131-SA	Country Mahogany Toilet Seat, Elongated	<input type="checkbox"/> KR Mahogany			
Optional Accessory					
P70132-00	Country Trip Lever Upgrade	<input type="checkbox"/> CP Polished Chrome	<input type="checkbox"/> AD Nickel Silver	<input type="checkbox"/> AG Brushed Nickel	<input type="checkbox"/> SA Antique Silver
P21634-LV	Toilet Supply Line	<input type="checkbox"/> CP Polished Chrome		<input type="checkbox"/> AD Nickel Silver	<input type="checkbox"/> AG Brushed Nickel

We reserve the right to make revisions without notice in the design of products or in packaging unless this right has specifically been waived at the time the order is accepted.