

KALLISTA®

Town Whirlpool and Bath

FEATURES

- Variable Speed Pump
- 2 HP Motor
- Tub Mounted Electronic Control with Feedback
- Additional Remote Control
- In-Line Water Heater

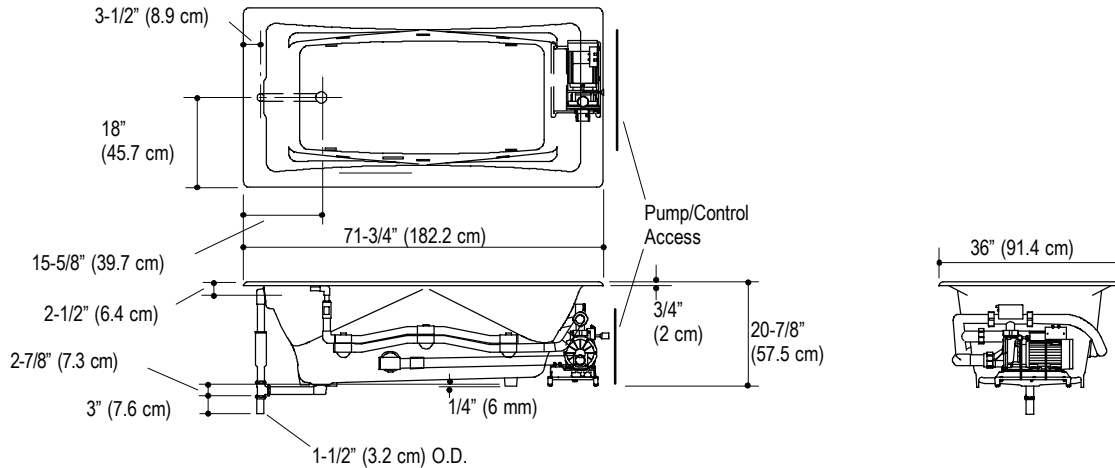
CODES/STANDARDS APPLICABLE

Specified Model Meets or Exceeds the Following:

- ASME A112.19.1
- ASME A112.19.7
- IAPMO/UPC
- Underwriters Laboratories (UL1795)

P50035-H2

P50035-BA



PRODUCT INFORMATION				
Fixture*:	Basin Area	Top Area	Weight	
Bathing Well	49" (124.4 cm) x 22" 55.8 cm	68" (172.7 cm) x 28" (71.7 cm)	460 Lbs. (208.6 Kg)	
	Water Depth	Capacity		
To Overflow	17" (43.1 cm)	89 Gal. (336.9 Liters)		
*Approximate measurements for comparison only.				
Pump	Heater	Voltage	Frequency	Amperage
1.5 HP	1.5kW	240V	50/60 Hz	11A
Cutout Template				1034802-7

REQUIRED ELECTRICAL SERVICE

Dedicated Circuit Required, Protected with Class A Ground-Fault Circuit-Interrupter (GFCI) or Earth-Leakage Circuit-Breaker (ELCB):

Pump / Control	220-240V, 20A, 50/60 Hz
----------------	-------------------------

ROUGHING-IN NOTES

No Change in Measurements if Connected with Drain Illustrated.

Cut-out	70-1/4" (178.4 cm) x 34-1/2" (87.6 cm)
---------	--

Minimum Access Panel:

Pump / Control	24" (60.9 cm) W x 14" (35.5 cm) H	Required
----------------	--------------------------------------	----------

All Dimensions are Nominal.

Floor Support Under Whirlpool Must Provide for a Minimum of 1800 lbs. (816.4 kg).

Hot Water Supply Must be 70% of Capacity or Greater.

SPECIFIED MODEL

Model	Description	Colors/Finishes	
P50035-H2	Town Whirlpool Bath	<input type="checkbox"/> 0 Stucco White	<input type="checkbox"/> 96 Linen
P50035-BA	Town Bath	<input type="checkbox"/> 0 Stucco White	<input type="checkbox"/> 96 Linen
Required Accessory			
P21576-00	Waste and Overflow	<input type="checkbox"/> CP Polished Chrome <input type="checkbox"/> AD Nickel Silver	<input type="checkbox"/> AG Brushed Nickel
Optional Accessory			
P51002-00	Whirlpool Trim Kit, 6 Jet	<input type="checkbox"/> CP Polished Chrome <input type="checkbox"/> AD Nickel Silver	<input type="checkbox"/> AG Brushed Nickel

We reserve the right to make revisions without notice in the design of products or in packaging unless this right has specifically been waived at the time the order is accepted.