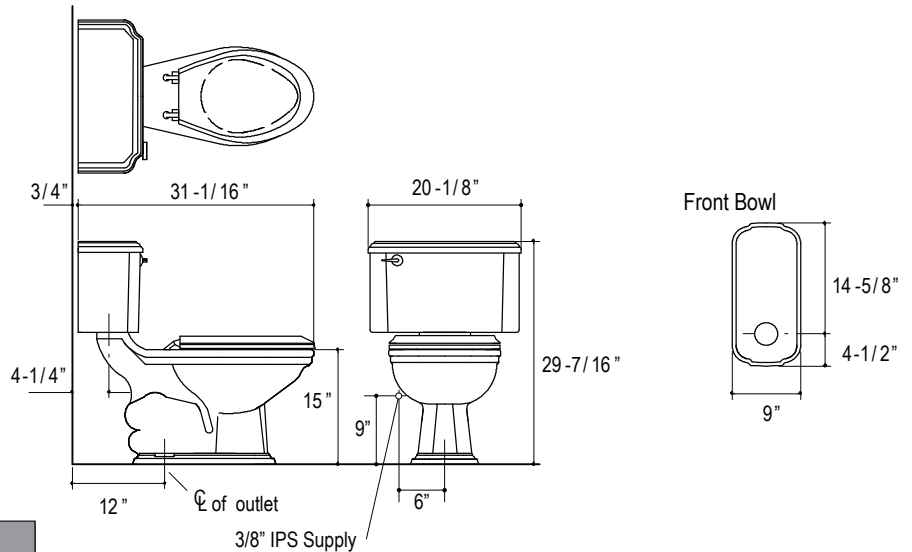


### CODES/STANDARDS APPLICABLE

Specified Model Meets or Exceeds the Following:

- ASME/ANSI A112.19.2M
- ASME/ANSI A112.19.6M
- Energy Policy Act of 1992 (EPACT)

# P70021, P70022 Combination P70020



PRODUCT INFORMATION	
Gallons Per Flush	1.6 Gallons
Passageway	1-9/16"
Seat Post Hole Centers	5-1/2"
Waterspot	5-1/2" x 6-1/2"

SPECIFIED MODEL					
Model	Description	Finishes			
P70021-00	Stafford Elongated Bowl - Gravity fed rim flush	<input type="checkbox"/> 0 Stucco White	<input type="checkbox"/> 96 Linen		
P70022-CP	Stafford Tank	<input type="checkbox"/> 0 Stucco White	<input type="checkbox"/> 96 Linen		
Required Accessories (pick one)					
P70023-CP	Colored Toilet Seat with Chrome Hinges, Elongated	<input type="checkbox"/> 0 Stucco White	<input type="checkbox"/> 96 Linen		
P70023-PB	Colored Toilet Seat with Polished Brass Hinges, Elongated	<input type="checkbox"/> 0 Stucco White	<input type="checkbox"/> 96 Linen		
P70023-AD	Colored Toilet Seat with Nickel Silver Hinges, Elongated	<input type="checkbox"/> 0 Stucco White	<input type="checkbox"/> 96 Linen		
P70023-AG	Colored Toilet Seat with Brushed Nickel Hinges, Elongated	<input type="checkbox"/> 0 Stucco White	<input type="checkbox"/> 96 Linen		
P70024-CP	Elongated Seat, Chrome Hinges	<input type="checkbox"/> KM Mahogany			
P70034-CP	Round Seat, Chrome Hinges	<input type="checkbox"/> KM Mahogany			
Updgrqades					
P70036-00	Retro White Porcelain Trip Lever	<input type="checkbox"/> CP Polished Chrome	<input type="checkbox"/> AD Nickel Silver	<input type="checkbox"/> AG Brushed Nickel	<input type="checkbox"/> BZ Antique Bronze
P70036-BL	Retro Black Porcelain Trip Lever	<input type="checkbox"/> CP Polished Chrome	<input type="checkbox"/> AD Nickel Silver	<input type="checkbox"/> AG Brushed Nickel	<input type="checkbox"/> BZ Antique Bronze
P70036-AM	Retro Metal Trip Lever	<input type="checkbox"/> CP Polished Chrome	<input type="checkbox"/> AD Nickel Silver	<input type="checkbox"/> AG Brushed Nickel	<input type="checkbox"/> BZ Antique Bronze

We reserve the right to make revisions without notice in the design of products or in packaging unless this right has specifically been waived at the time the order is accepted.