

## INSTALLATION INSTRUCTIONS

## P34001, P34002, P34006, P34008

### THANK YOU FOR CHOOSING KALLISTA

We appreciate your commitment to Kallista quality accessories. Please take a moment to review this manual before you install your Kallista accessory. If you encounter any installation or performance problems, please don't hesitate to contact us at the phone number listed at the bottom of the page.

### BEFORE YOU BEGIN

**DANGER: Risk of personal injury.** These products are not designed or intended for use as a grab bar or support bar. Do not install any of these products in any area where they are likely to be used inadvertently as a grab bar or support bar.

- These products should be located and mounted to a wall stud. While it is possible to mount them to any surface, a stud mounted product will yield the best results.
- Use a level to ensure that the center lines for the wall plates are vertical where applicable and the post center lines are horizontal where applicable.
- Kallista reserves the right to make revisions in the design of products without notice, as specified in the Price Book.
- Observe all local plumbing codes and building codes.

### TOOLS AND MATERIALS



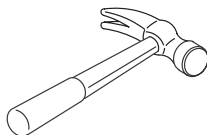
Level



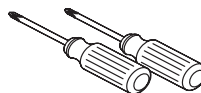
Pencil



Measuring  
Tape



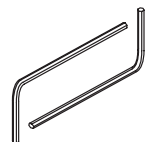
Claw  
Hammer



Assorted  
Screwdrivers



Drill &  
5/16" Bit



Assorted  
Hex Wrenches

Assorted woodworking tools may be needed to finish the wall.

### PREPARE THE SITE - WALL PLATE(S)

- Determine the desired mounting location.
- Mark the vertical and horizontal center lines for the accessory to be installed. Consult the roughing-in diagrams to determine the dimensions.
- When installing multiple-post accessories, determine the required distance between the center points.
- Use a level to ensure that all center points are level.

## INSTALLATION INSTRUCTIONS

## P34001, P34002, P34006, P34008

### WALL PLATE(S) INSTALLATION

- Mark the pilot hole locations vertically 5/8" above and below the centerpoint. Vertically line up the holes on each wall plate (Figure A).

**NOTE:** If the installation requires multiple posts, confirm that the centerpoints are horizontally even using a level.

- Select a drill and bit that are appropriate for the wall material you will be drilling through. Carefully drill a 5/16" hole at all marked pilot hole locations.

**NOTE:** If you encounter a stud during drilling, stop immediately and use only the mount screws.

- Install the anchors as shown in Figure B. Mount the wall plate to wall using the mount screws (Figure C).

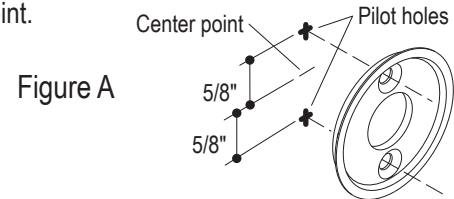


Figure A

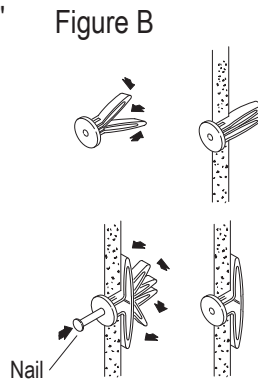


Figure B

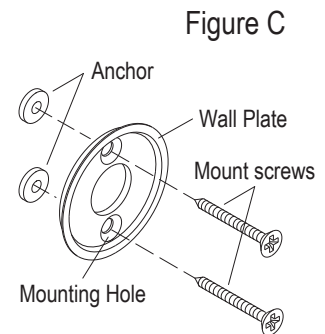
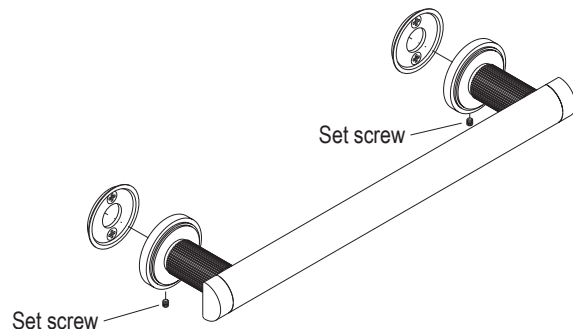


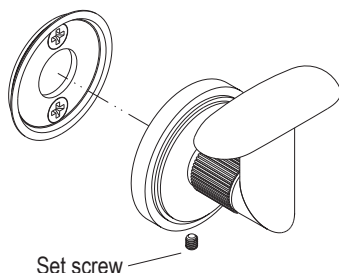
Figure C

### TOWEL BAR INSTALLATION

- Mount wall plates to the wall in desired location.
- Place both ends of the towel bar over the wall plates.
- Tighten set screws to hold towel bar in place.



### ROBE HOOK INSTALLATION



- Mount wall plate to the wall in desired location.
- Place end of the robe hook over the wall plate.
- Tighten set screw to hold robe hook in place.

### INSTALLATION INSTRUCTIONS

### P34001, P34002, P34006, P34008

#### TISSUE HOLDER INSTALLATION

- Mark the pilot hole locations vertically 3 1/2" apart. (Figure D).
  - Select a drill and bit that are appropriate for the wall material you will be drilling through. Carefully drill a 5/16" hole at all marked pilot hole locations.
- NOTE:** If you encounter a stud during drilling, stop immediately and use only the mount screws.
- Install the anchors as shown in Figure E. Mount the back plate to wall using the mount screws as shown in Figure F.
  - Install skirt and tissue rod over post on back plate. Tighten set screw to hold tissue rod in place.

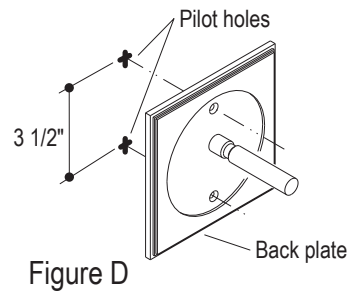


Figure E

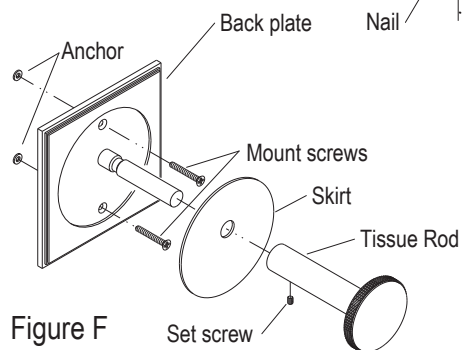
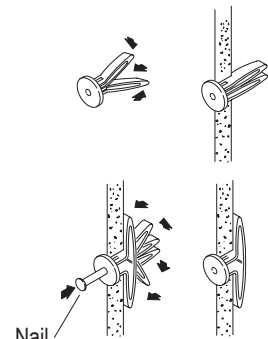


Figure F