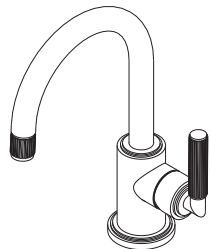
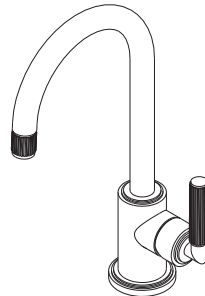


INSTALLATION INSTRUCTIONS

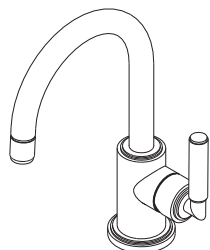
P24300, P24301



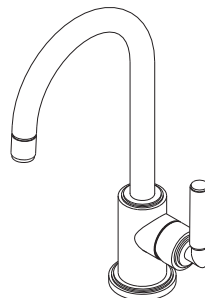
P24300-00



P24300-TL



P24301-00



P24301-TL

INSTALLATION INSTRUCTIONS

P24300, P24301

THANK YOU FOR CHOOSING KALLISTA

We appreciate your commitment to Kallista quality products. Please take a moment to review this manual before you install your Kallista product. If you encounter any installation or performance problems, please do not hesitate to contact us at the phone number listed at the bottom of the page.

BEFORE YOU BEGIN

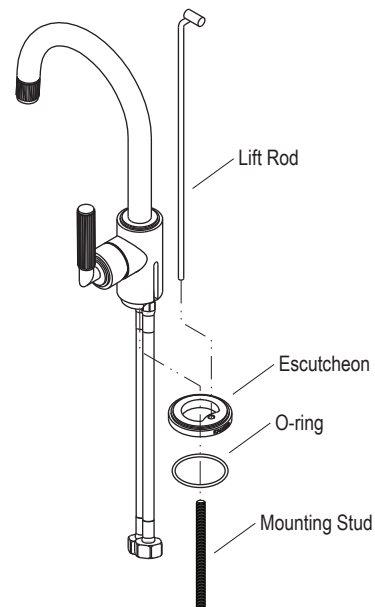
- Prior to installation, unpack the faucet and drain and inspect it for damage. If the product is damaged, please contact Kallista immediately at the phone number listed at the bottom of the page.
- Shut off the main water supply.
- Observe all local plumbing and building codes.
- If possible, install the faucet to the lavatory before installing the lavatory.
- Kallista reserves the right to make revisions in the design of plumbing products without notice, as specified in the Price Book.

TOOLS AND MATERIALS



1. INSTALL HOSES INTO THE FAUCET

- Insert the lift rod in small hole in escutcheon. Slide escutcheon up to bend in lift rod.
- Ensure that O-ring is installed in bottom of escutcheon.
- Feed the hoses through the escutcheon one at a time.
- Install escutcheon onto bottom of faucet, guiding lift rod into slot in back of faucet.
- Install the mounting stud into the bottom of the faucet.

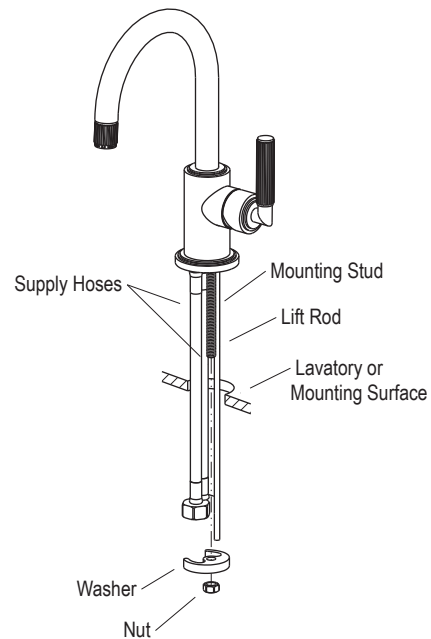


INSTALLATION INSTRUCTIONS

P24300, P24301

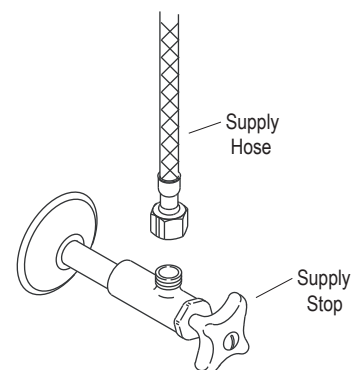
2. INSTALL THE FAUCET

- Feed the supply hoses, stud and lift rod through faucet hole of the lavatory or mounting surface.
- Slide the washer over the mounting stud and secure the faucet to the lavatory or mounting surface by threading the nut onto the mounting stud.



3. CONNECT THE SUPPLIES

- If the lavatory is not installed, install it at this time. Follow the lavatory manufacturer's instructions.
- Connect the supply hoses to the supply stops. (Left is hot - right is cold.)
- Wrench-tighten all connections.

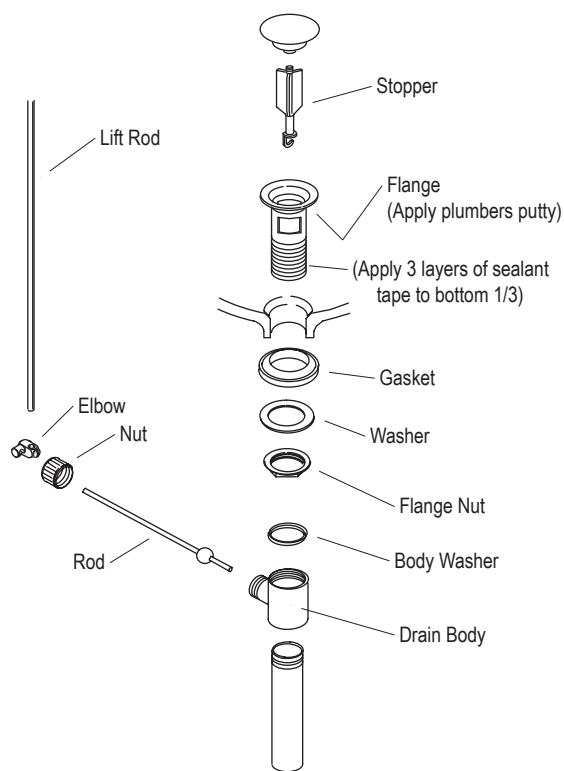


INSTALLATION INSTRUCTIONS

P24300, P24301

4. INSTALL THE DRAIN

- Apply a ring of plumbers putty or other sealant to the underside of the flange according to the putty manufacturer's instructions.
- Insert the flange into the fixture drain hole.
- From the underside of the basin, slide the gasket (tapered side up) and washer onto the bottom of the flange. Partially thread the flange nut onto the flange. Do not fully tighten the flange nut at this time.
- Wrap the bottom 1/3 of the flange threads with three layers of sealant tape.
- Insert the body washer into the drain body. Tighten the drain body to the bottom of the flange. Once tightened to the flange, rotate the drain body with the seal facing the back of the fixture. Securely tighten the flange nut. Use care to avoid scratching the finish.
- Using a damp cloth, remove any excess putty or sealant.
- Insert the stopper into the flange.
- Insert the seal into the drain body. Assemble the rod, nut and elbow as shown.



5. COMPLETE INSTALLATION

- Connect the tailpiece and P-trap (not supplied).
- Ensure that all connections are watertight.
Remove the aerator assembly by turning it counter-clockwise (Figure D).
- Open the drain. Turn on the main water supply and check for leaks. Repair as needed.
- Open both hot and cold valves and run water through the spout for one minute to remove debris. Check for leaks in the flexible hose connections. Turn valves off.
- Re-install the aerator assembly.

