

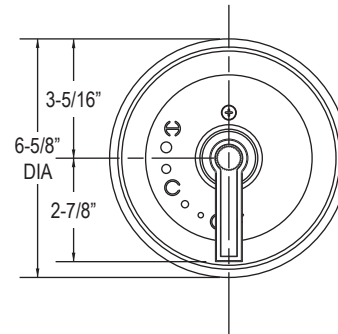
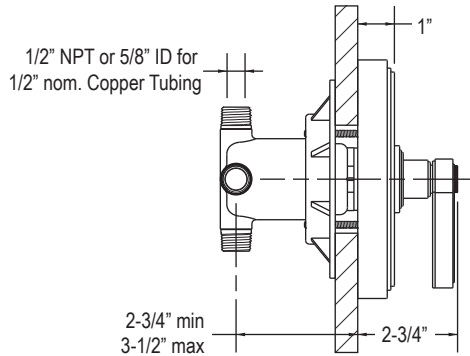
### FEATURES

- Brass Construction
- Available with Lever or Cross Handles
- Completes the Vir Stil™ Collection

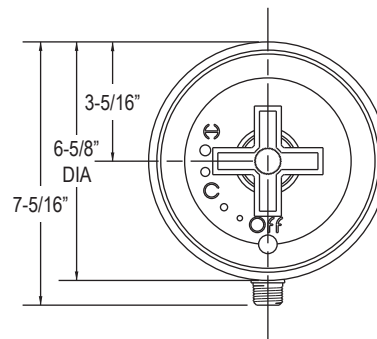
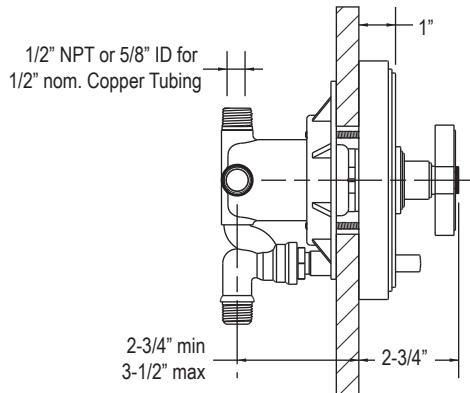
### CODES/STANDARDS APPLICABLE

- Specified Model Meets or Exceeds the Following:
- ASME A112.18.1-2005/CSA B125.1-05
  - ASSE/ANSI 1016 (Rough-in)
  - IAPMO/UPC

## P24115 & P24116



P24115-LV



P24116-CR

SPECIFIED MODEL					
Model	Description	Finishes			
P24115-LV	Vir Stil Pressure Balance Trim, Lever Handle	<input type="checkbox"/> CP Polished Chrome	<input type="checkbox"/> AD Nickel Silver	<input type="checkbox"/> AG Brushed Nickel	<input type="checkbox"/> LB Bronze
P24115-CR	Vir Stil Pressure Balance Trim, Cross Handle	<input type="checkbox"/> CP Polished Chrome	<input type="checkbox"/> AD Nickel Silver	<input type="checkbox"/> AG Brushed Nickel	<input type="checkbox"/> LB Bronze
P24116-LV	Vir Stil Pressure Balance with Diverter Trim, Lever Handle	<input type="checkbox"/> CP Polished Chrome	<input type="checkbox"/> AD Nickel Silver	<input type="checkbox"/> AG Brushed Nickel	<input type="checkbox"/> LB Bronze
P24116-CR	Vir Stil Pressure Balance with Diverter Trim, Cross Handle	<input type="checkbox"/> CP Polished Chrome	<input type="checkbox"/> AD Nickel Silver	<input type="checkbox"/> AG Brushed Nickel	<input type="checkbox"/> LB Bronze
Required Rough-in					
P19300-BB	Rough-in for P24115	<input type="checkbox"/> NA			
P19300-WS	Rough-in with Stops for P24115	<input type="checkbox"/> NA			
P29303-BB	High-Flow Rough-in for P24115	<input type="checkbox"/> NA			
P19301-BB	Rough-in for P24116	<input type="checkbox"/> NA			
P19301-WS	Rough-in with Stops for P24116	<input type="checkbox"/> NA			

We reserve the right to make revisions without notice in the design of products or in packaging unless this right has specifically been waived at the time the order is accepted.