

### Important Safety Instructions:

- These instructions are provided for your safety. It is important that they are read carefully and completely before installing this fixture.
- We **STRONGLY** recommend that a professional electrician install all direct wire fixtures.
- This fixture has been rated for up to 100-watt incandescent bulbs (not included). To avoid risk of fire or overheating, **do not exceed the recommended wattage.**
- Not intended for outdoor use.

### Pre-Installation:

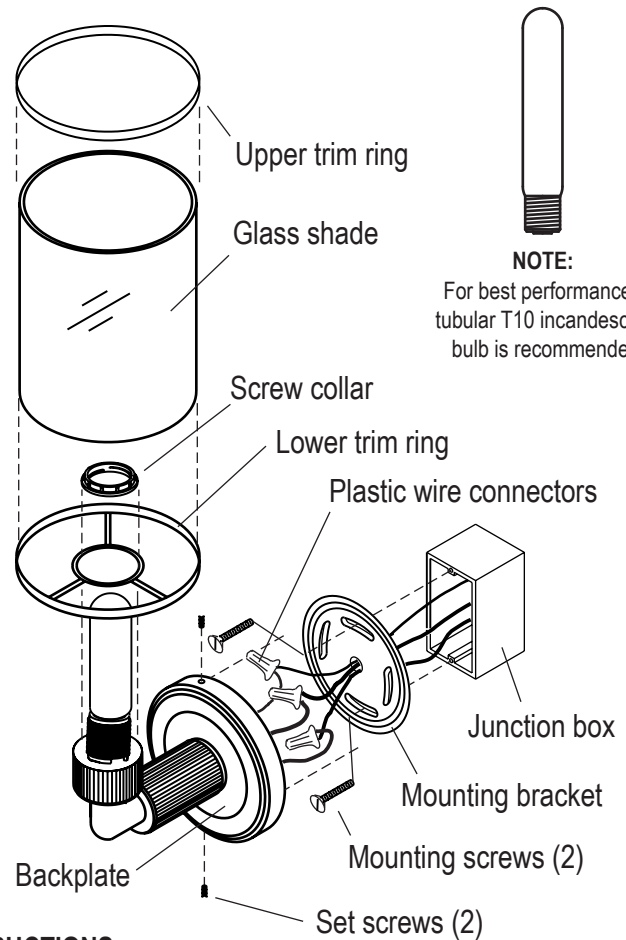
- Remove all parts and hardware from box along with any plastic protective packaging. Do not discard any contents until installation is complete. This will prevent the accidental discarding of small parts or hardware.

### To install you will need:

- Electrical tape
- Plastic wire connectors
- Screwdriver
- Allen wrench (included)
- Mounting screws - 2 ea (usually supplied with junction box)

### Care Instructions:

Wipe with soft cloth only. Always avoid the use of harsh chemicals or abrasives.



## INSTALLATION INSTRUCTIONS

- 1) **SHUT OFF THE MAIN ELECTRICAL SUPPLY FROM THE MAIN FUSE BOX/CIRCUIT BREAKER.**
- 2) Gently pull the wiring from the junction box in your wall and allow the wires to hang freely.
- 3) Place the flat side of the **mounting bracket** flush against the junction box. Gently feed the wiring from the junction box through the mounting bracket. Insert the **mounting screws** through the mounting bracket and into the junction box. Tighten with a screwdriver.
- 4) IT IS IMPERATIVE THAT THE OUTLET BOX IS PROPERLY GROUNDED. Attach the junction box GROUND WIRE (green or bare wire) to the bare copper GROUND WIRE of the fixture. Fasten with a plastic wire connector and wrap with electrical tape. If there is no ground wire from the junction box, wrap the fixture's ground wire (copper) around the green screw on the mounting bracket and tighten the screw.
- 5) Carefully inspect the sconce's two fixture wires. One is WHITE (neutral) and the other is BLACK (hot).
  - **WHITE WIRE CONNECTION** - Connect the fixture's WHITE (neutral) wire to the NEUTRAL WIRE (usually white) in the junction box. Fasten together with a plastic wire connector and wrap the connection with electrical tape. Be certain that no wire strands are exposed.
  - **BLACK WIRE CONNECTION** - Connect the fixture's BLACK (hot) wire to the HOT WIRE (usually black) in the junction box. Fasten together with a plastic wire connector and wrap the connection with electrical tape. Be certain that no wire strands are exposed.
- 6) Tuck the wire connections neatly into the junction box. Position the **backplate** of the fixture over the mounting bracket making sure that all wire connections are positioned neatly behind the backplate.
- 7) Using the supplied allen wrench, secure the backplate to the mounting bracket by tightening the two **set screws**.
- 8) Once the fixture is properly secured to the wall, position the **lower trim ring** on the fixture and secure by tightening the **screw collar**.
- 9) Insert bulb (not included) and restore the power in the junction box.
- 10) Lower the **Glass shade** and **Upper trim ring** in place.