

KALLISTA[®] Vir Stil™ Minimal Pressure Balance Trim

FEATURES

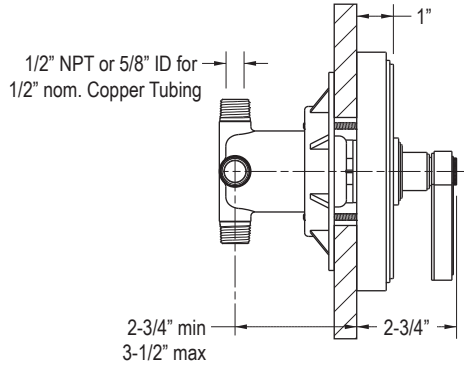
- Brass Construction
- Available with Lever or Cross Handles
- Completes the Vir Stil™ Collection

CODES/STANDARDS APPLICABLE

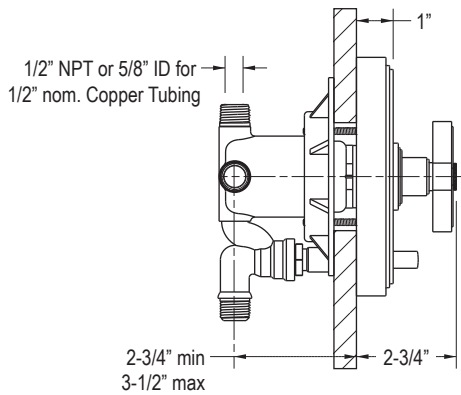
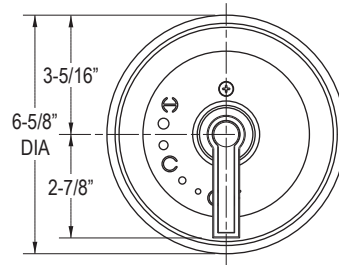
Specified Model Meets or Exceeds the Following:

- ASME A112.18.1-2005/CSA B125.1-05
- ASSE/ANSI 1016 (Rough-in)
- IAPMO/UPC

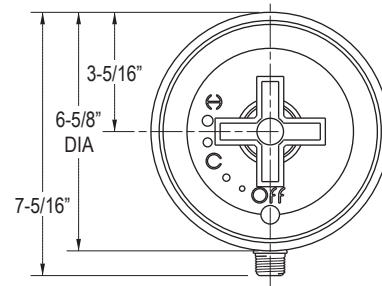
P24215 & P24216



P24215-LV



P24216-CR



SPECIFIED MODEL					
Model	Description	Finishes			
P24215-LV	Vir Stil™ Minimal Pressure Balance Trim, Lever Handle	<input type="checkbox"/> CP Polished Chrome	<input type="checkbox"/> AD Nickel Silver	<input type="checkbox"/> AG Brushed Nickel	<input type="checkbox"/> LB Bronze
P24215-CR	Vir Stil™ Minimal Pressure Balance Trim, Cross Handle	<input type="checkbox"/> CP Polished Chrome	<input type="checkbox"/> AD Nickel Silver	<input type="checkbox"/> AG Brushed Nickel	<input type="checkbox"/> LB Bronze
P24216-LV	Vir Stil™ Minimal Pressure Balance with Diverter Trim, Lever Handle	<input type="checkbox"/> CP Polished Chrome	<input type="checkbox"/> AD Nickel Silver	<input type="checkbox"/> AG Brushed Nickel	<input type="checkbox"/> LB Bronze
P24216-CR	Vir Stil™ Minimal Pressure Balance with Diverter Trim, Cross Handle	<input type="checkbox"/> CP Polished Chrome	<input type="checkbox"/> AD Nickel Silver	<input type="checkbox"/> AG Brushed Nickel	<input type="checkbox"/> LB Bronze
Required Rough-in					
P19300-BB	Rough-in for P24215	<input type="checkbox"/> NA			
P19300-WS	Rough-in with Stops for P24215	<input type="checkbox"/> NA			
P29303-BB	High-Flow Rough-in for P24215	<input type="checkbox"/> NA			
P19301-BB	Rough-in for P24216	<input type="checkbox"/> NA			
P19301-WS	Rough-in with Stops for P24216	<input type="checkbox"/> NA			

We reserve the right to make revisions without notice in the design of products or in packaging unless this right has specifically been waived at the time the order is accepted.