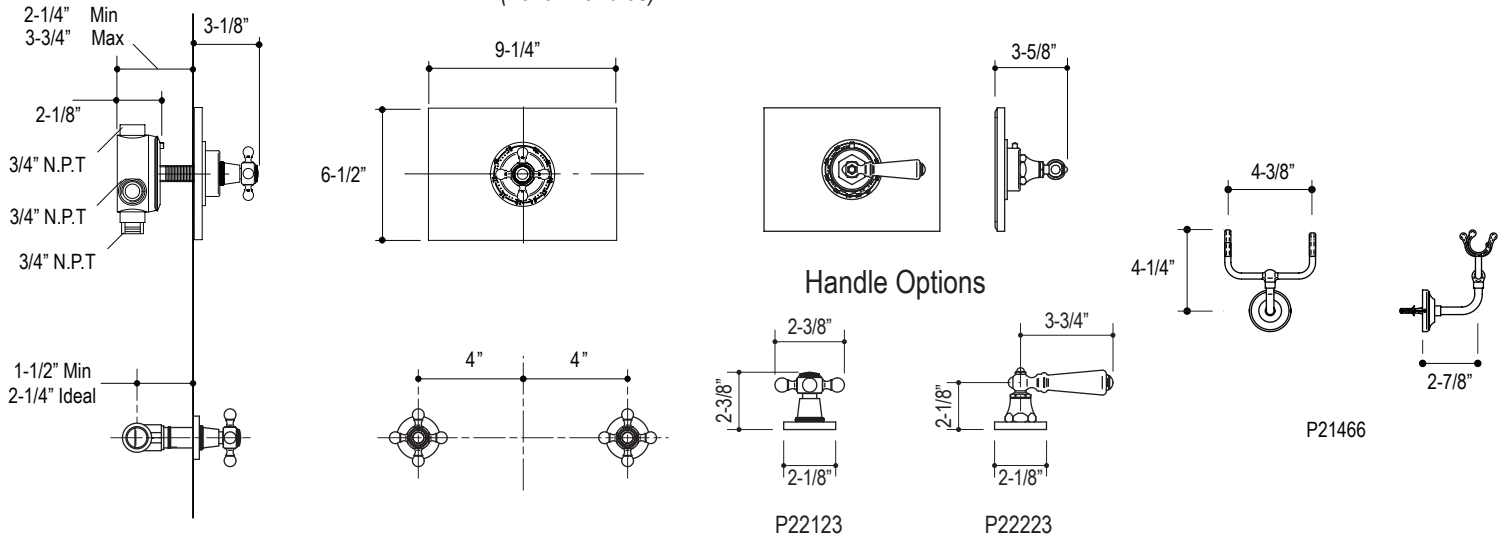


### CODES/STANDARDS APPLICABLE

Specified Model Meets or Exceeds the Following:

- ASSE/ANSI 1016 (Thermostatic Valve only)
- CABO/ANSI A117.1 (Thermostatic Valve only)
- ADA (Lever Handles)

P22114, P22123,  
P22223. P21446



### SPECIFIED MODEL

Model	Description	Finishes	
P22114-CR	Hampstead Thermostatic Valve Trim, Cross Handle	<input type="checkbox"/> CP Polished Chrome <input type="checkbox"/> AG Brushed Nickel	<input type="checkbox"/> AD Nickel Silver <input type="checkbox"/> BZ Antique Bronze
P22114-LV	Hampstead Thermostatic Valve Trim, White Lever Handle	<input type="checkbox"/> CP Polished Chrome <input type="checkbox"/> AG Brushed Nickel	<input type="checkbox"/> AD Nickel Silver <input type="checkbox"/> BZ Antique Bronze
P22114-BL	Hampstead Thermostatic Valve Trim, Black Lever Handle	<input type="checkbox"/> CP Polished Chrome <input type="checkbox"/> AG Brushed Nickel	<input type="checkbox"/> AD Nickel Silver <input type="checkbox"/> BZ Antique Bronze
P22123-XP	Hampstead Wall Bath Valve Trim (Each) Cross Handles	<input type="checkbox"/> CP Polished Chrome <input type="checkbox"/> AG Brushed Nickel	<input type="checkbox"/> AD Nickel Silver <input type="checkbox"/> BZ Antique Bronze
P22223-XP	Hampstead Wall Bath Valve Trim (Each) White Lever Handles	<input type="checkbox"/> CP Polished Chrome <input type="checkbox"/> AG Brushed Nickel	<input type="checkbox"/> AD Nickel Silver <input type="checkbox"/> BZ Antique Bronze
P22223-BP	Hampstead Wall Bath Valve Trim (Each) Black Lever Handles	<input type="checkbox"/> CP Polished Chrome <input type="checkbox"/> AG Brushed Nickel	<input type="checkbox"/> AD Nickel Silver <input type="checkbox"/> BZ Antique Bronze
Required Accessories			
P19108-00	Rough-In, Thermostatic	<input type="checkbox"/> NA	
P19104-00	Rough-In, Wall Valve	<input type="checkbox"/> NA	
Optional Accessory			
P10924-XX	Hampstead Metal Lever Handle Insert (Each)	<input type="checkbox"/> CP Polished Chrome <input type="checkbox"/> AG Brushed Nickel	<input type="checkbox"/> AD Nickel Silver <input type="checkbox"/> BZ Antique Bronze
P21446-AM	Hampstead Hand Shower	<input type="checkbox"/> CP Polished Chrome <input type="checkbox"/> AG Brushed Nickel	<input type="checkbox"/> AD Nickel Silver <input type="checkbox"/> BZ Antique Bronze

We reserve the right to make revisions without notice in the design of products or in packaging unless this right has specifically been waived at the time the order is accepted.