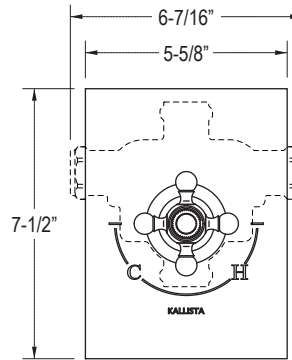
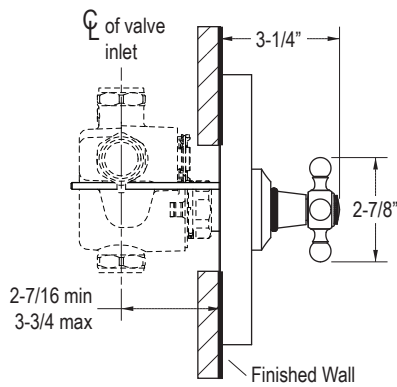


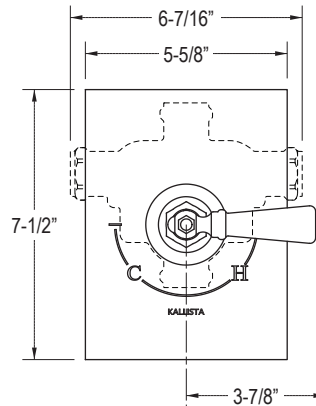
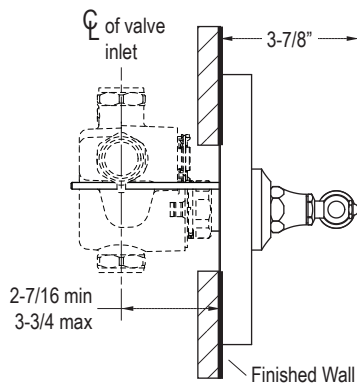
FEATURES

P22162

- Brass Construction
- Available with Lever or Cross Handles
- Front Seal Plate Assembly



P22162-CR



P22162-LV, P22162-BL

SPECIFIED MODEL					
Model	Description	Finishes			
P22162-CR	Hampstead Vertical Thermostatic Trim, Cross Handles	<input type="checkbox"/> CP Polished Chrome	<input type="checkbox"/> AD Nickel Silver	<input type="checkbox"/> AG Brushed Nickel	<input type="checkbox"/> BZ Bronze
P22162-LV	Hampstead Vertical Thermostatic Trim, Lever Handles	<input type="checkbox"/> CP Polished Chrome	<input type="checkbox"/> AD Nickel Silver	<input type="checkbox"/> AG Brushed Nickel	<input type="checkbox"/> BZ Bronze
P22162-BL	Hampstead Vertical Thermostatic Trim, Black Lever Handles	<input type="checkbox"/> CP Polished Chrome	<input type="checkbox"/> AD Nickel Silver	<input type="checkbox"/> AG Brushed Nickel	<input type="checkbox"/> BZ Bronze
Required Rough-in					
P29508-WS	3/4" Rough-in	<input type="checkbox"/> NA			
P29509-WS	1/2" Rough-in	<input type="checkbox"/> NA			

We reserve the right to make revisions without notice in the design of products or in packaging unless this right has specifically been waived at the time the order is accepted.