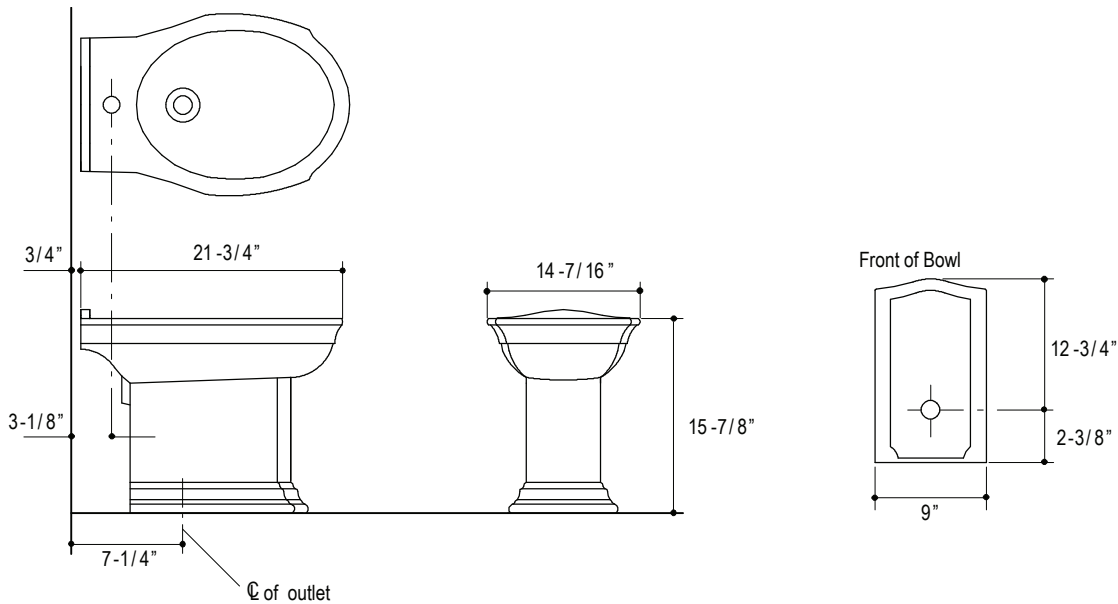


CODES/STANDARDS APPLICABLE

P71020

Specified Model Meets or Exceeds the Following:

- ASME/ANSI A112.19.2M
- ASME/ANSI A112.19.6M
- Energy Policy Act of 1992 (EPACT)



PRODUCT INFORMATION	
Configuration	Faucet Deck
Outlet	1-13/16"
Faucet Hole	1-3/8"

ROUGHING-IN NOTES
All Dimensions are Nominal.

SPECIFIED MODEL			
Model	Description	Finishes	
P71020-00	Hamstead Bidet	<input type="checkbox"/> 0 Stucco White	<input type="checkbox"/> 96 Linen
Optional Accessory			
P22105-00	Hamstead Bidet Set, Cross Handles	<input type="checkbox"/> CP Polished Chrome <input type="checkbox"/> AG Brushed Nickel	<input type="checkbox"/> AD Nickel Silver <input type="checkbox"/> BZ Antique Bronze

We reserve the right to make revisions without notice in the design of products or in packaging unless this right has specifically been waived at the time the order is accepted.