

FEATURES

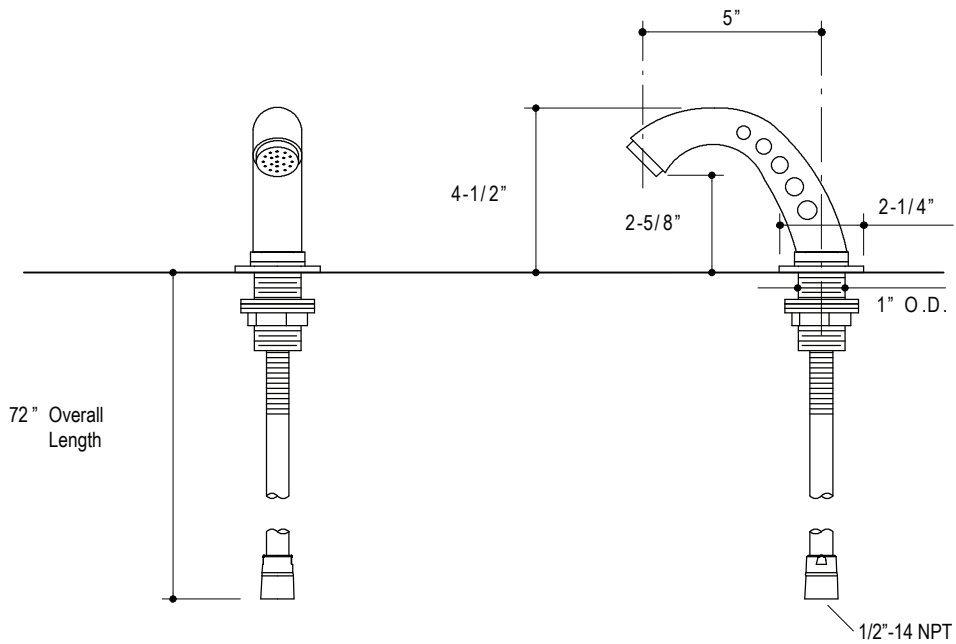
- Brass Construction
- 2.5 GPM

CODES/STANDARDS APPLICABLE

Specified Model Meets or Exceeds the Following:

- ASME/ANSI A112.18.1M

P21400



SPECIFIED MODEL				
Model	Description	Finishes		
P21400-00	General Deck Handshower	<input type="checkbox"/> CP Polished Chrome	<input type="checkbox"/> AD Nickel Silver	<input type="checkbox"/> AG Brushed Nickel

We reserve the right to make revisions without notice in the design of products or in packaging unless this right has specifically been waived at the time the order is accepted.