

INSTALLATION INSTRUCTIONS

P24023

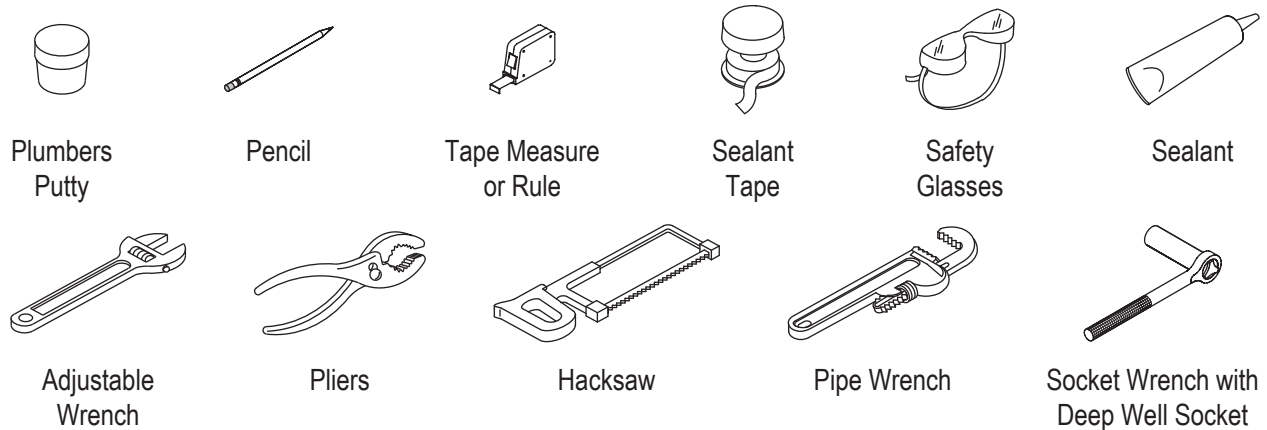
THANK YOU FOR CHOOSING KALLISTA

We appreciate your commitment to Kallista quality faucets. Please take a moment to review this manual before you install your Kallista faucet. If you encounter any installation or performance problems, please don't hesitate to contact us at the phone number listed at the bottom of the page.

BEFORE YOU BEGIN

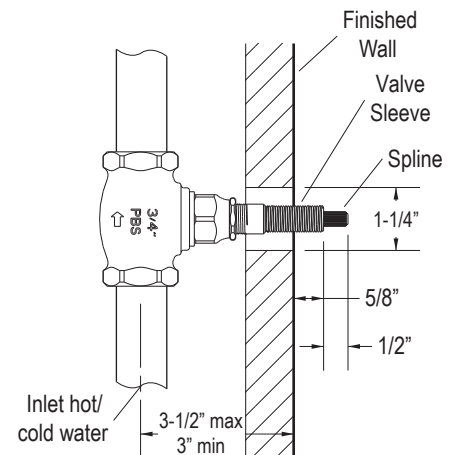
- Shut off the main water supply.
- Observe all local plumbing and building codes.
- The handle design illustrated in this guide is representative and may differ from the actual handle being installed. Install the handle as instructed.

TOOLS AND MATERIALS



PREPARE VALVE

- Determine the thickness of the finished wall. Plumb the valve in the unfinished wall making sure that the centerline of the valve is between 3" and 3-1/2" from the exterior side of the finished wall.
- Install finished wall leaving a 1-1/4" hole around the valve sleeve.
- Measure the distance the Valve Sleeve protrudes from the finished wall. If this distance is greater than 5/8", mark the Valve Sleeve at 5/8".
- Remove the Valve Sleeve from the valve. Remove the spline from the Valve Sleeve. Cut the Valve Sleeve at the mark.



INSTALLATION INSTRUCTIONS

P24023

PREPARE VALVE (cont'd)

- Reinstall the spline all the way into the Valve Sleeve. Measure the distance the spine protrudes from the Valve Sleeve. If this distance is greater than 1/2", mark the spline at 1/2". Remove the spline from the Valve Sleeve. Cut the spline at the mark.
- Reinstall the spline into the Valve Sleeve. Reassemble the Valve Sleeve and spline into the valve.

INSTALL THE HANDLE/TRIM

- Slide the handle assembly over the valve sleeve and spline so that the handle assembly engages the spline. Rotate the handle counter clockwise until the valve is in the closed position. Remove the handle assembly.
- Thread the wall adapter onto the valve until it is snug against the wall.
- Slide the handle assembly onto the valve sleeve and spline, aligning handle as desired.
- Holding the handle in one hand, use the other hand to rotate the escutcheon until the threads are fully engaged with the threads on the wall adapter and the handle assembly is snug against the wall.

