

# KALLISTA®

## Tuxedo™ Thermostatic Trim & Volume Control

### FEATURES

- Brass Construction
- Front Seal Plate Assembly
- Completes the Tuxedo™ Collection

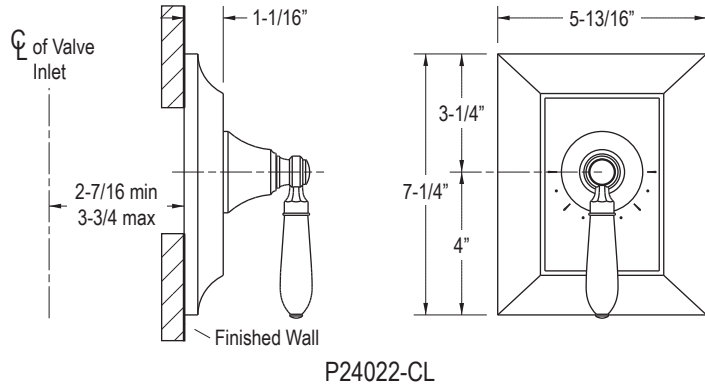
### CODES/STANDARDS APPLICABLE

Specified Model Meets or Exceeds the Following:

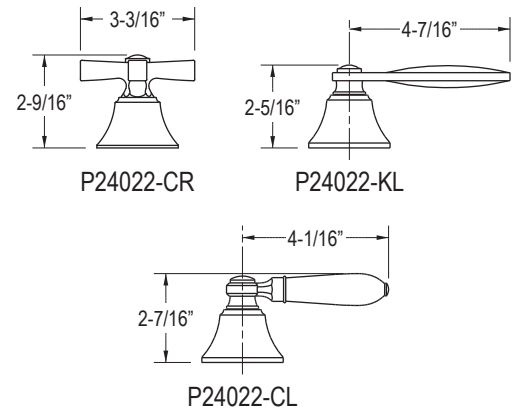
- ASME A112.18.1-2005/CSA B125.1-05
- IAPMO/UPC
- ASSE 1016 (P29508-WS)
- ADA

### P24022 & P24023

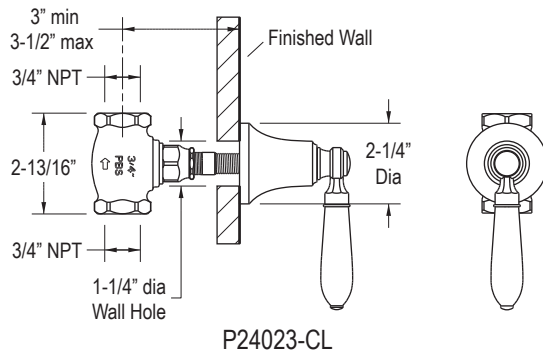
#### Handle Options



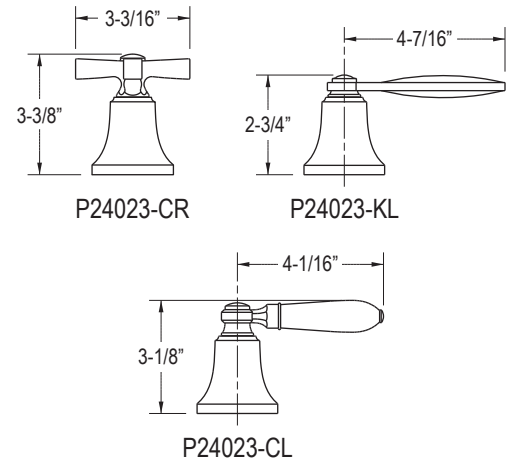
P24022-CL



#### Handle Options



P24023-CL



### SPECIFIED MODEL

Model	Description	Finishes		
P24022-CR	Tuxedo Thermostatic Trim, Cross Handles	<input type="checkbox"/> CP Polished Chrome	<input type="checkbox"/> AD Nickel Silver	<input type="checkbox"/> AG Brushed Nickel
P24022-KL	Tuxedo Thermostatic Trim, Streamline Handles	<input type="checkbox"/> CP Polished Chrom	<input type="checkbox"/> AD Nickel Silver	<input type="checkbox"/> AG Brushed Nickel
P24022-CL	Tuxedo Thermostatic Trim, Classic Handles	<input type="checkbox"/> CP Polished Chrom	<input type="checkbox"/> AD Nickel Silver	<input type="checkbox"/> AG Brushed Nickel
P24023-CR	Tuxedo Volume Control, Cross Handles	<input type="checkbox"/> CP Polished Chrom	<input type="checkbox"/> AD Nickel Silver	<input type="checkbox"/> AG Brushed Nickel
P24023-KL	Tuxedo Volume Control, Streamline Handles	<input type="checkbox"/> CP Polished Chrom	<input type="checkbox"/> AD Nickel Silver	<input type="checkbox"/> AG Brushed Nickel
P24023-CL	Tuxedo Volume Control, Classic Handles	<input type="checkbox"/> CP Polished Chrom	<input type="checkbox"/> AD Nickel Silver	<input type="checkbox"/> AG Brushed Nickel
Required Rough-in				
P29508-WS	Rough-in for P24022	<input type="checkbox"/> NA		
P29113-00	Rough-in for P24023	<input type="checkbox"/> NA		

We reserve the right to make revisions without notice in the design of products or in packaging unless this right has specifically been waived at the time the order is accepted.