

# KALLISTA®

# Tuxedo™ Thermostatic Trim & Volume Control

## FEATURES

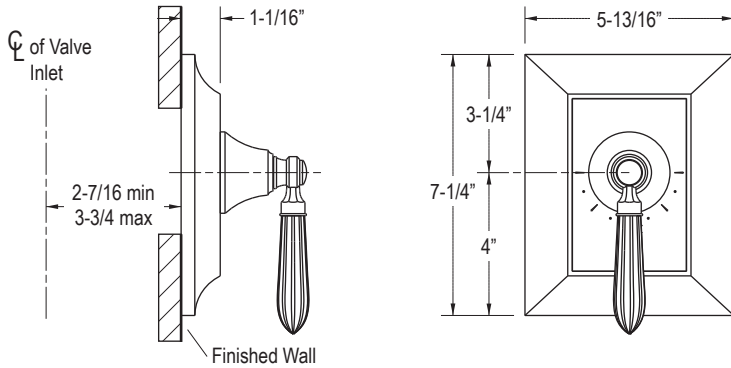
- Brass Construction
- Front Seal Plate Assembly
- Completes the Tuxedo™ Collection

## CODES/STANDARDS APPLICABLE

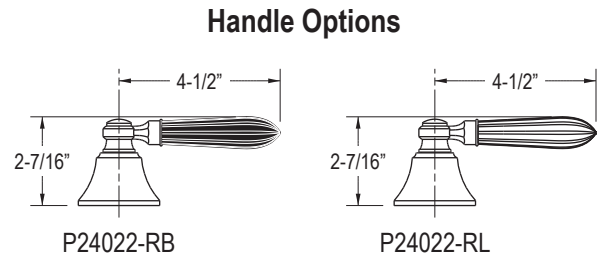
Specified Model Meets or Exceeds the Following:

- ASME A112.18.1-2005/CSA B125.1-05
- IAPMO/UPC
- ASSE 1016 (P29508-WS)
- ADA

## P24022 & P24023

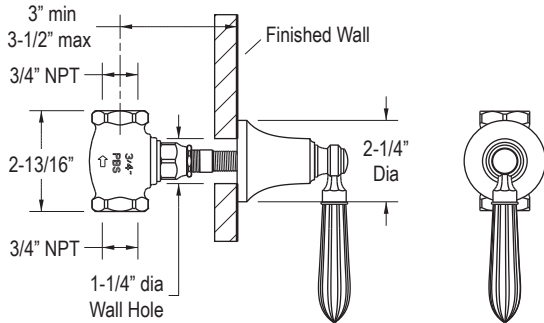


P24022-RL

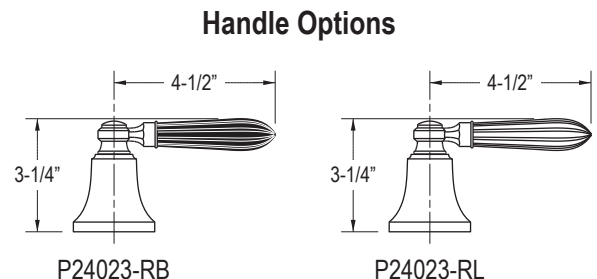


P24022-RB

P24022-RL



P24023-RL



P24023-RB

P24023-RL

### SPECIFIED MODEL

Model	Description	Finishes		
P24022-RB	Tuxedo Thermostatic Trim, Reeded Black Handles	<input type="checkbox"/> CP Polished Chrome	<input type="checkbox"/> AD Nickel Silver	<input type="checkbox"/> AG Brushed Nickel
P24022-RL	Tuxedo Thermostatic Trim, Reeded Linen Handles	<input type="checkbox"/> CP Polished Chrome	<input type="checkbox"/> AD Nickel Silver	<input type="checkbox"/> AG Brushed Nickel
P24023-RB	Tuxedo Volume Control, Reeded Black Handles	<input type="checkbox"/> CP Polished Chrome	<input type="checkbox"/> AD Nickel Silver	<input type="checkbox"/> AG Brushed Nickel
P24023-RL	Tuxedo Volume Control, Reeded Linen Handles	<input type="checkbox"/> CP Polished Chrome	<input type="checkbox"/> AD Nickel Silver	<input type="checkbox"/> AG Brushed Nickel
Required Rough-in				
P29508-WS	Rough-in for P24022	<input type="checkbox"/> NA		
P29113-00	Rough-in for P24023	<input type="checkbox"/> NA		

We reserve the right to make revisions without notice in the design of products or in packaging unless this right has specifically been waived at the time the order is accepted.