

## INSTALLATION INSTRUCTIONS

## P24015 &amp; P24016

## IMPORTANT INSTRUCTIONS

READ AND SAVE FOR THE CONSUMER



WARNING: Risk of scalding or other severe injury.

- Before completing installation, the installer must set the maximum water temperature setting of this valve to minimize the risks associated with scalding hazards according to ASTM F 444.
- Do not install a shut-off device on either outlet of this valve. The installation of any such device may create a cross-flow condition at the valve and affect the water temperature.
- Factors that change the temperature of the water supplied to the valve, such as seasonal water temperature changes, and water heater replacement or servicing, will change the maximum water temperature supplied by the valve and may create a scalding hazard.
- The pressure-balanced valve will not compensate for changes in the water supply temperature; adjust the maximum water temperature setting of this pressure-balanced valve when such changes occur.
- Pressure-balanced valves may not provide protection against scalding if there is a failure of other temperature-limiting devices elsewhere in the plumbing system.

### INSTALLATION INSTRUCTIONS

# P24015 & P24016

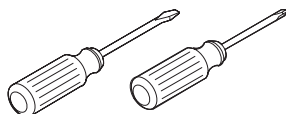
#### THANK YOU FOR CHOOSING KALLISTA

We appreciate your commitment to Kallista quality faucets. Please take a moment to review this manual before you install your Kallista faucet. If you encounter any installation or performance problems, please don't hesitate to contact us at the phone number listed at the bottom of the page.

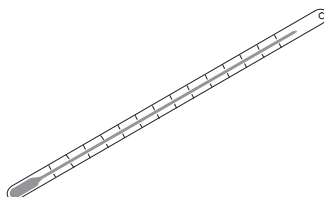
#### BEFORE YOU BEGIN

- Observe all local plumbing and building codes.
- The finished wall or bath/shower unit must be installed prior to installing this trim.
- We recommend that you determine if the maximum water temperature is acceptable before installing this trim. If temperature adjustment is needed, refer to the Water Temperature Adjustment section.
- The valve shuts off by water pressure. Do not force the handle in any direction. To turn the valve off, gently turn it to the "Off" position.
- Shut off the main water supply.

#### Tools and Materials



Assorted  
Screwdrivers



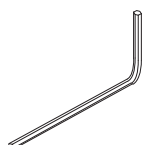
Thermometer



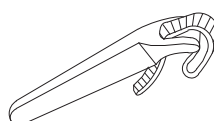
Plumbers  
Putty



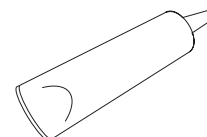
Thread Sealant



Hex Wrench



Strap  
Wrench



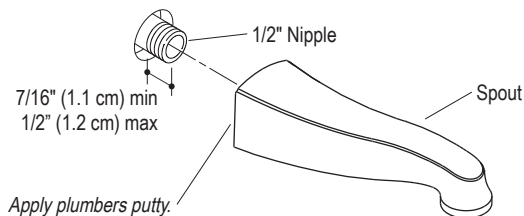
Silicone Sealant

### INSTALLATION INSTRUCTIONS

# P24015 & P24016

#### 1. Install the Spout

- Remove the temporary nipple from the bath elbow.
- Apply thread sealant, and install a 1/2" nipple so it extends beyond the finished wall, as shown.
- Apply a bead of plumbers putty or other sealant to the back of the spout.
- Apply thread sealant to the nipple, and install the spout to the nipple.
- Carefully tighten with a clean strap wrench.
- Remove excess putty or sealant.

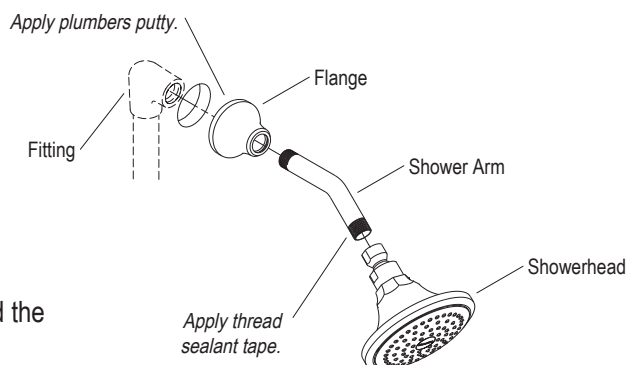


#### 2. Install the Showerhead



**CAUTION: Risk of product damage.** To avoid plugging the showerhead spray outlets, use thread sealant tape on the shower arm threads. Do not use thread sealant compound (pipe dope).

- Apply a bead of plumbers putty or other sealant to the back of the flange.
- Slide the wall flange on to the shower arm.
- Apply thread sealant tape to the threads and install the shower arm to the fitting.
- Carefully tighten with a clean strap wrench.
- Press the flange against the finished wall.
- Remove all excess putty or sealant.
- With the shower head off, flush out the system.
- Apply thread sealant tape to the shower arm and thread the showerhead to the shower arm.
- Use a clean strap wrench to tighten the showerhead.
- Check for proper operation.

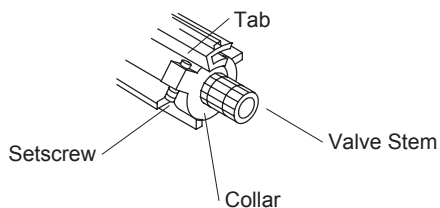


### INSTALLATION INSTRUCTIONS

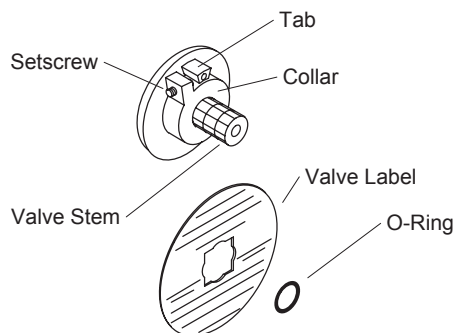
# P24015 & P24016

#### 3. Water Temperature Adjustment

##### High Flow Valve



##### Standard Valve



**CAUTION:** Risk of personal injury. The water temperature should never be set above 120° F (49° C).

**NOTE:** Do not remove the O-ring and collar at this time. Removing the O-ring and collar will change the factory setting for the maximum water temperature.

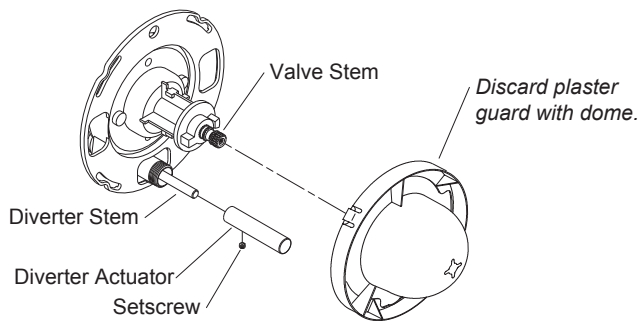
- Turn the valve clockwise to the full open position and let the hot water run for several minutes. Position a thermometer in the water stream and check the temperature.
- For **minor water temperature changes**, adjust the Setscrew, and recheck the water temperature.
- For **major water temperature changes**, remove the O-ring and collar from the valve stem. Slowly rotate the valve stem until the desired maximum water temperature is reached.
- Reinstall the collar on the valve stem with the Setscrew against the side of the tab.
- Reinstall the O-ring, rotate the valve stem counter clockwise to shut the water off.
- Recheck the water temperature to ensure desired maximum water temperature.

**NOTE:** After adjustment, complete the required information on the valve label (if supplied).

If you do not understand any of the installation or temperature adjustment instructions in this document, in the United States please contact Kallista's Customer Service Department at 1-888-4KALLISTA (1-888-452-5547). Outside the U.S., please contact your distributor.

#### 4. Diverter Assembly (if applicable)

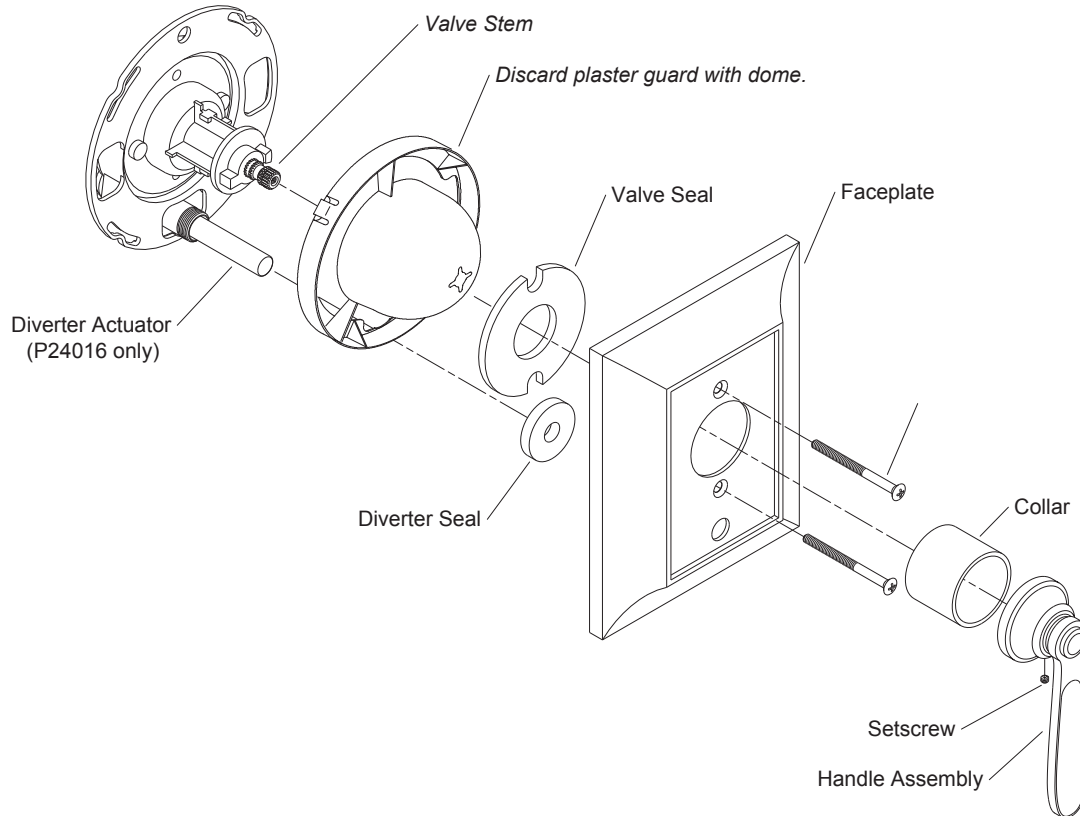
- Remove and discard the plaster guard and/or dome, if installed.
- Position the actuator over the diverter stem and tighten the setscrew.



## INSTALLATION INSTRUCTIONS

# P24015 & P24016

### 5. Install the Faceplate and Handle



- Remove and discard the plaster guard and/or dome, if installed.
- For installation over a tiled wall, apply a bead of silicone sealant around the back edges of the faceplate.
- Fit diverter seal over diverter actuator (if applicable) and valve seal over valve stem, as shown. Align the notches in the valve seal with the threaded holes in the valve.
- Install the faceplate onto the valve. Secure with two screws. Do not overtighten.
- Rotate the valve stem fully counter clockwise.
- Slide the collar onto the valve.
- Place the handle assembly over the valve stem so that the setscrew is aligned with the large groove on the valve stem. If using the lever handle, make sure that the handle points straight down. Tighten the setscrew.