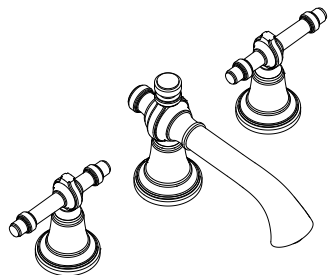
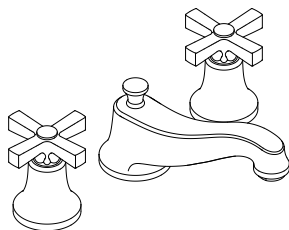


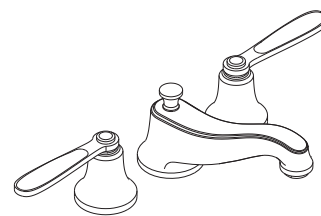
INSTALLATION INSTRUCTIONS



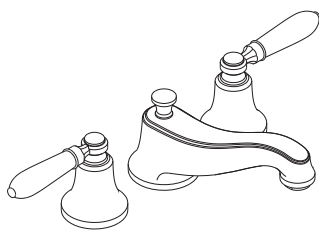
P23103-LV



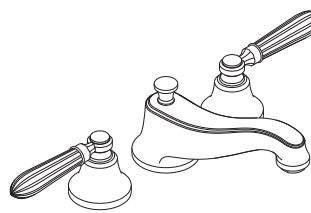
P24003-CR



P24003-KL



P24003-CL



**P24003-RB
P24003-RL**

INSTALLATION INSTRUCTIONS

THANK YOU FOR CHOOSING KALLISTA

We appreciate your commitment to Kallista quality products. Please take a moment to review this manual before you install your Kallista product. If you encounter any installation or performance problems, please do not hesitate to contact us at the phone number listed at the bottom of the page.

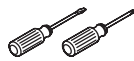
BEFORE YOU BEGIN

- Please read all instructions before you begin.
- Shut off the main water supply.
- Observe all local plumbing and building codes.
- Complete the finished deck material before installing the bath faucet trim.
- Before installation, unpack the new bath faucet trim and inspect it for damage. Return it to the carton until installation.
- The appearance of your product may differ from what is shown in these instructions, however, the installation procedure is the same.
- Kallista reserves the right to make revisions in the design of faucets without notice, as specified in the Price Book.

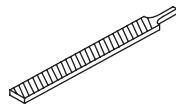
TOOLS AND MATERIALS



Adjustable
Wrench



Assorted
Screwdrivers



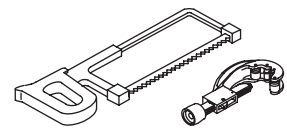
File



Tape
Measure



Pencil



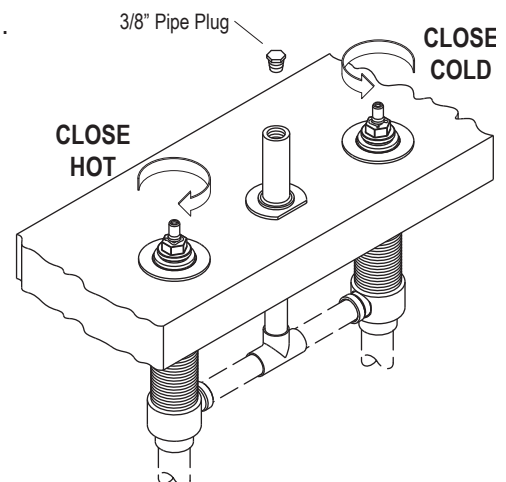
Hacksaw or
Tubing Cutter

Plus: ● Rag

1. REMOVE THE PIPE PLUG

WARNING: Risk of personal injury. Lines will be pressurized. Do not lean over pipe plug when turning or removing the plug.

- Ensure that the valves are closed (cold - fully counterclockwise, hot - fully clockwise).
 - Turn off the main water supply.
 - Wrap a towel around the pipe plug to prevent water spray.
- Important!** Water will purge from the supply tube when you remove the plug.
- Carefully remove the pipe plug.



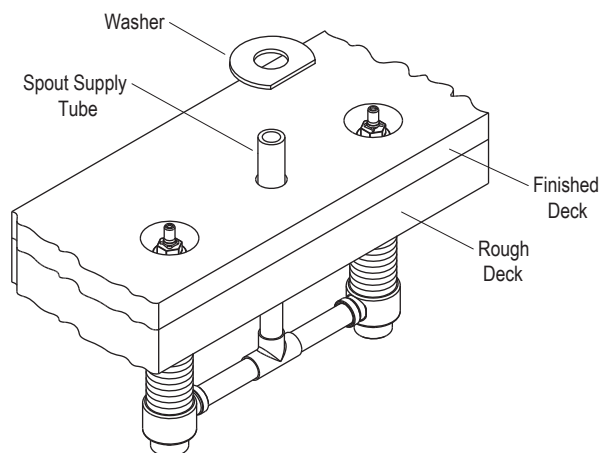
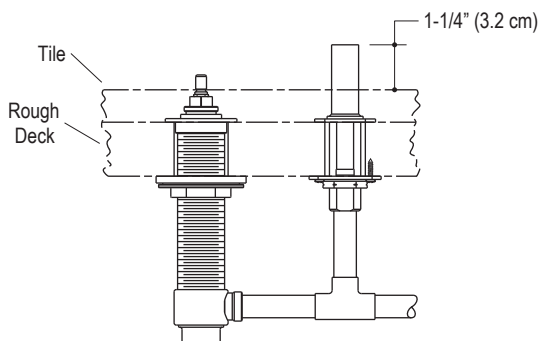
INSTALLATION INSTRUCTIONS

2. PREPARE THE DECK

- Remove the plaster guard from the spout supply tube.
- Cut off the spout supply tube 1-1/4" above the rim, finished deck, or tile.
- Remove all burrs from the spout supply tube to prevent damage to the O-ring seal on the spout sleeve assembly.

NOTE: The following step is applicable to a tile covered rough deck installation only.

- Slide a brass washer, flat side facing forward, onto the supply tube. The brass washer is furnished with the spout.

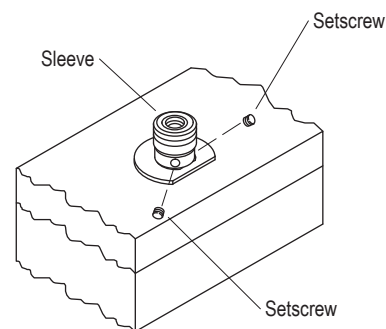


3. INSTALL SPOUT

CAUTION: Risk of product damage. Use care when installing the spout assembly to prevent damage to the O-ring seal.

IMPORTANT! Keep the spout supply tube clean above the finished deck to avoid damage to the O-ring seal.

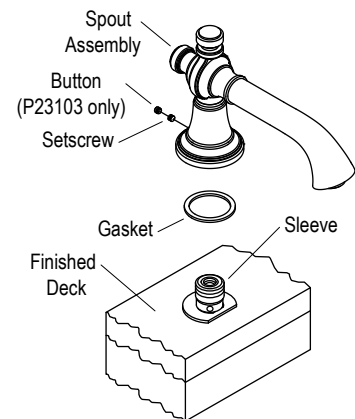
- Loosen the setscrews in the sleeve.
- Using a twisting motion, install the sleeve on the spout supply tube until it contacts the deck or washer.
- Align the sleeve with the setscrews offset from the center (not facing directly forward or backward) of the supply tube.
- Tighten the setscrews.



INSTALLATION INSTRUCTIONS

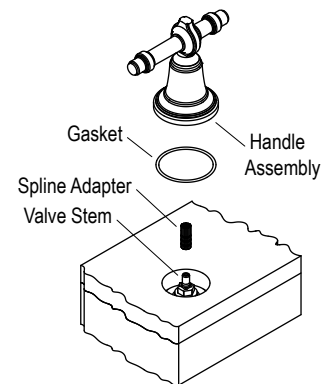
3. INSTALL SPOUT (CONT'D)

- Place the gasket over the sleeve and against the finished deck.
- Position the spout on the sleeve, and carefully press down until the spout contacts the finished deck.
- Align the spout as desired, and tighten the setscrew.
- Install button to cover setscrew, if provided.



4. INSTALL THE HANDLES

- Close the valves (hot = clockwise, cold = counterclockwise).
- Install the spline adapter onto the valve stem.
- Place the gasket over the valve body and flush against the deck.
- Align the handle assembly as desired with one hand.
- Thread the handle assembly onto the valve body with the other hand.
- Repeat this procedure for the remaining handle assembly.



5. COMPLETE THE INSTALLATION

- Ensure that both faucet handles are turned off (hot = clockwise, cold = counterclockwise).
- Turn on the main water supply and check for leaks.
- Turn on the hot and cold valves and run water through the spout to remove debris. Check for leaks.
- Turn off the hot and cold valves.