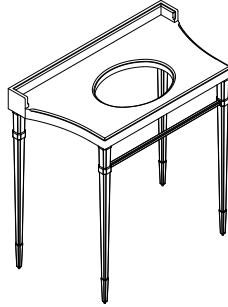


INSTALLATION INSTRUCTIONS



**P73037,
P73038, P73039**

INSTALLATION INSTRUCTIONS

THANK YOU FOR CHOOSING KALLISTA

We appreciate your commitment to Kallista quality products. Please take a moment to review this manual before you install your Kallista product. If you encounter any installation or performance problems, please do not hesitate to contact us at the phone number listed at the bottom of the page.

BEFORE YOU BEGIN

- Observe all local plumbing and building codes.
- Prior to installation, unpack the new lavatory and console and inspect them for damage. Return the lavatory and console to their protective cartons until you are ready to install them.
- These instructions are for installing the console table to wood frame construction. For other installations, supply suitable bracing and fastening devices of sufficient size and strength.
- Sufficient support behind the finished wall, such as 2x6 wall bracing, is required for proper installation.
- This installation is designed to be done with a minimum of two people. Do not install this fixture alone.
- All dimensions given assume that the floor and walls are square, plumb, and level. Make appropriate adjustments for other conditions.
- Kallista reserves the right to make revisions in the design of products without notice, as specified in the Price Book.

TOOLS AND MATERIALS



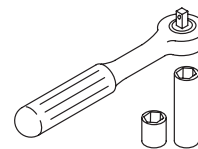
Tape Measure



Assorted Screwdrivers



Adjustable Wrench



Socket Wrench W/Sockets



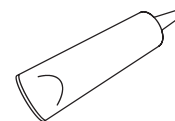
Pencil



Drill



Level

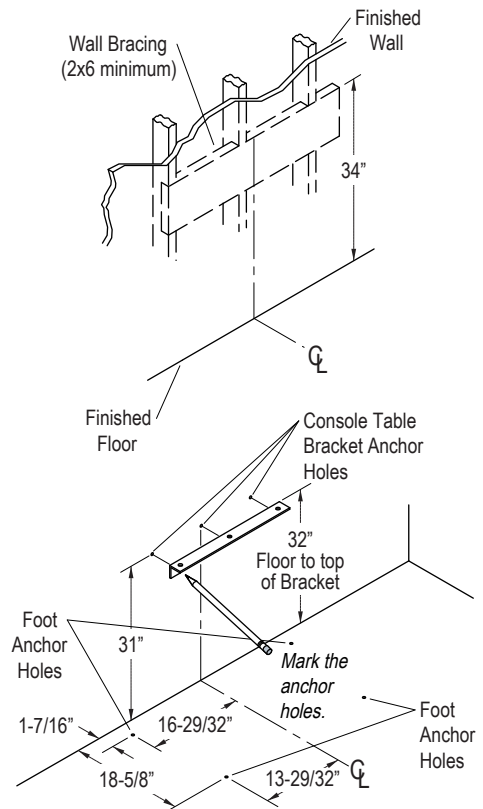


Silicone Sealant

INSTALLATION INSTRUCTIONS

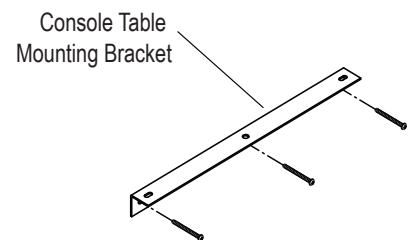
1. PREPARE THE SITE

- Rough-in the water supply lines and the drain piping.
- Install a minimum of a 2x6 as a wall brace to provide support for the wall bracket. The brace should be the same length as the console table, 36" and should be positioned 34" from the finished floor to the top edge of the board. The center of the wall brace should be in-line with the drain outlet.
- Finish the wall.
- Mark the centerline on the floor and the wall.
- Mark the anchor holes for the console table mounting bracket on the wall by holding the bracket up to the finished wall so that the center of the bracket lines up with the centerline. Mark the location of the anchor holes with a pencil.
- Mark the location of the holes on the floor for the feet anchors.
- Drill a hole 1/4" D. x 1/2" deep, in the finished floor for each foot anchor. The holes should be 18-5/8" from the wall and 13-29/32" from the centerline for the front legs and 1-7/16" from the wall and 16-29/32" from the centerline for the optional rear legs.



2. INSTALL THE MOUNTING BRACKET

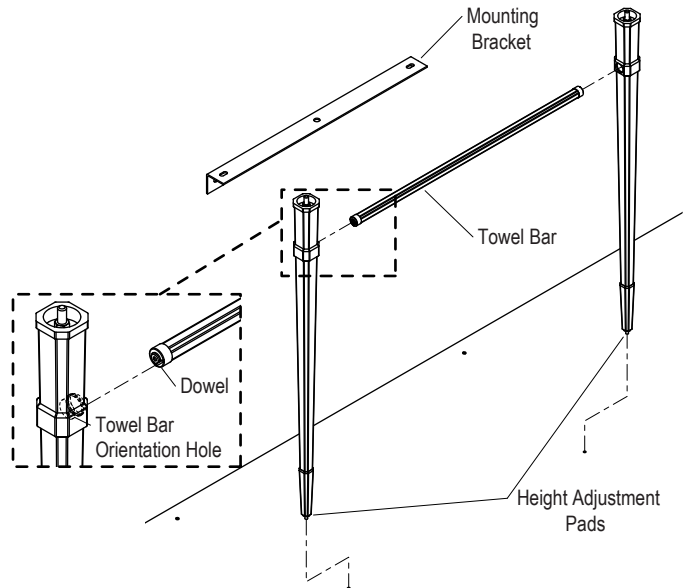
- Install the console table mounting bracket to the finished wall with fasteners suitable for your wall type.
- Verify the table mounting bracket is level.



INSTALLATION INSTRUCTIONS

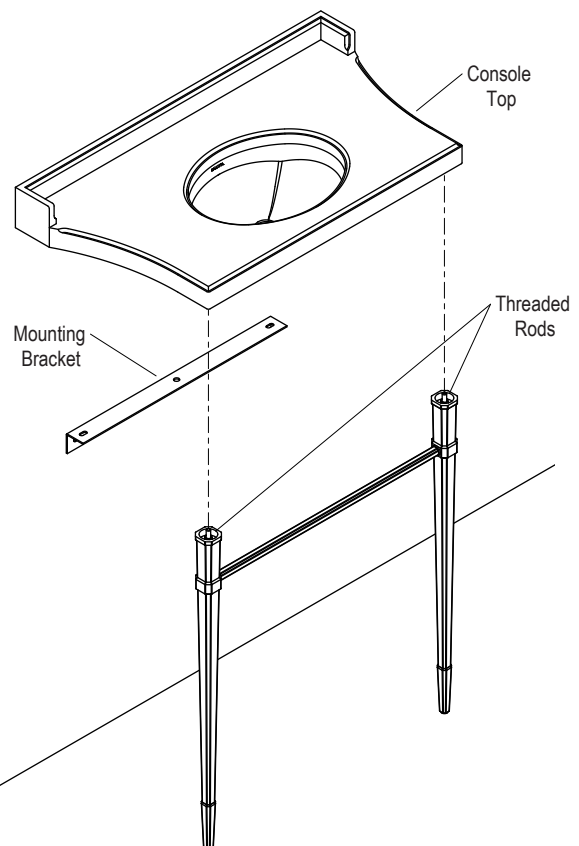
3. ASSEMBLE THE FRONT CONSOLE TABLE LEGS

- ❑ Set the height adjustment pads on the front legs to match the height of the top of the mounting bracket, taking into account floor height differences at the leg mounting locations.
- ❑ **With an assistant**, install the towel bar into the front legs, making sure to align the dowel with the towel bar orientation hole.
- ❑ Install the front legs into their floor mounting holes.



4. INSTALL THE CONSOLE TOP

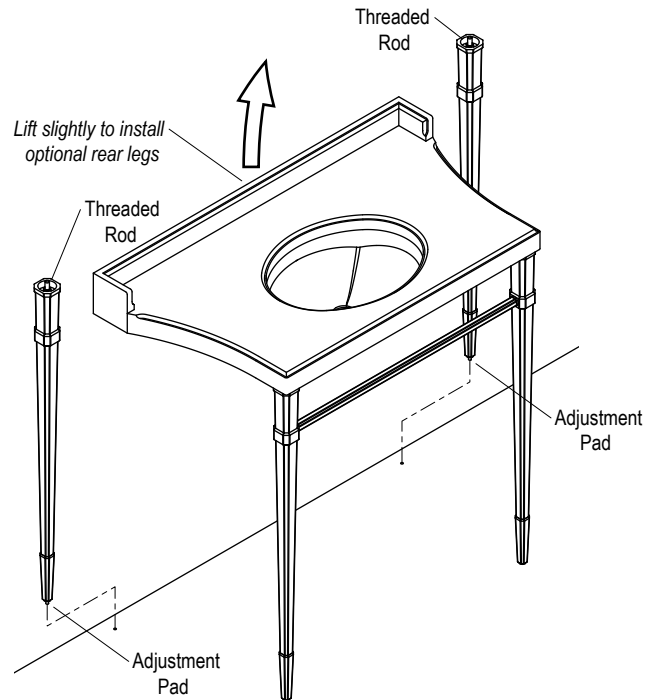
- ❑ Place the stone console top upside down to install the lavatory.
- NOTE:** When installing the lavatory, use the clips provided with the lavatory and the hardware provided with the console top.
- ❑ Install the lavatory according to the manufacturer's instructions.
 - ❑ **With an assistant or two**, hold the front legs and gently put the stone console top on the mounting bracket and front legs. The threaded rods protruding from the top of the legs must be inserted into the appropriate holes in the bottom of the stone console top.
 - ❑ Check that the table top is level. Adjust the wall bracket and front legs as needed.
 - ❑ **If using the optional rear console table legs, proceed to step 5.**
 - ❑ Apply a small amount of caulk or silicone sealant where the legs meet the stone console top.
 - ❑ Install the 16mm screws and fender washers through the wall bracket into the threaded holes in the underside of the stone console top.



INSTALLATION INSTRUCTIONS

5. INSTALL THE REAR CONSOLE TABLE LEGS (OPTIONAL)

- ❑ Measure the distance from the floor to the underside of the stone top, at the rear leg mounting locations. Turn the adjustment pads on the leg feet to the measured heights for each rear leg.
- ❑ **With an assistant or two**, put the rear legs into their floor mounting holes. Lift the rear of the stone console top slightly off the wall bracket, and tilt the rear legs under the stone top, so the threaded rods protruding from the top of the legs are inserted into the appropriate holes in the bottom of the stone console top.
- ❑ Gently lower the stone console top onto the wall bracket and rear legs. Confirm the top is still level, adjust as needed.
- ❑ Apply a small amount of caulk or silicone sealant where the legs meet the stone console top.
- ❑ Install the 16mm screws and fender washers through the wall bracket into the threaded holes in the underside of the stone console top.



6. STONE TOP HOLE FABRICATION (OPTIONAL)

- ❑ Three faucet holes have been partially drilled from the underside of the console top.
- ❑ On the top, show surface, of the console top, locate the center of the required faucet holes. Using a compass or circle template, draw a circle for the required holes.
- ❑ Using a small hammer, create the faucet hole(s) by gently tapping the console top within the circles until the stone breaks away.

NOTE: DO NOT strike the console top with too much force. **DO NOT** strike from the bottom side of the console top. This will damage the top surface of the console top.

- ❑ Using a file or sanding cylinder, complete the removal of stone material to create a clean round hole.

7. COMPLETE THE INSTALLATION

- ❑ If desired, apply a bead of caulk or silicone sealant where the stone console top meets the wall.
- ❑ Install the faucet and drain according to the manufacturer's instructions.
- ❑ Connect the water supply and check for leaks.