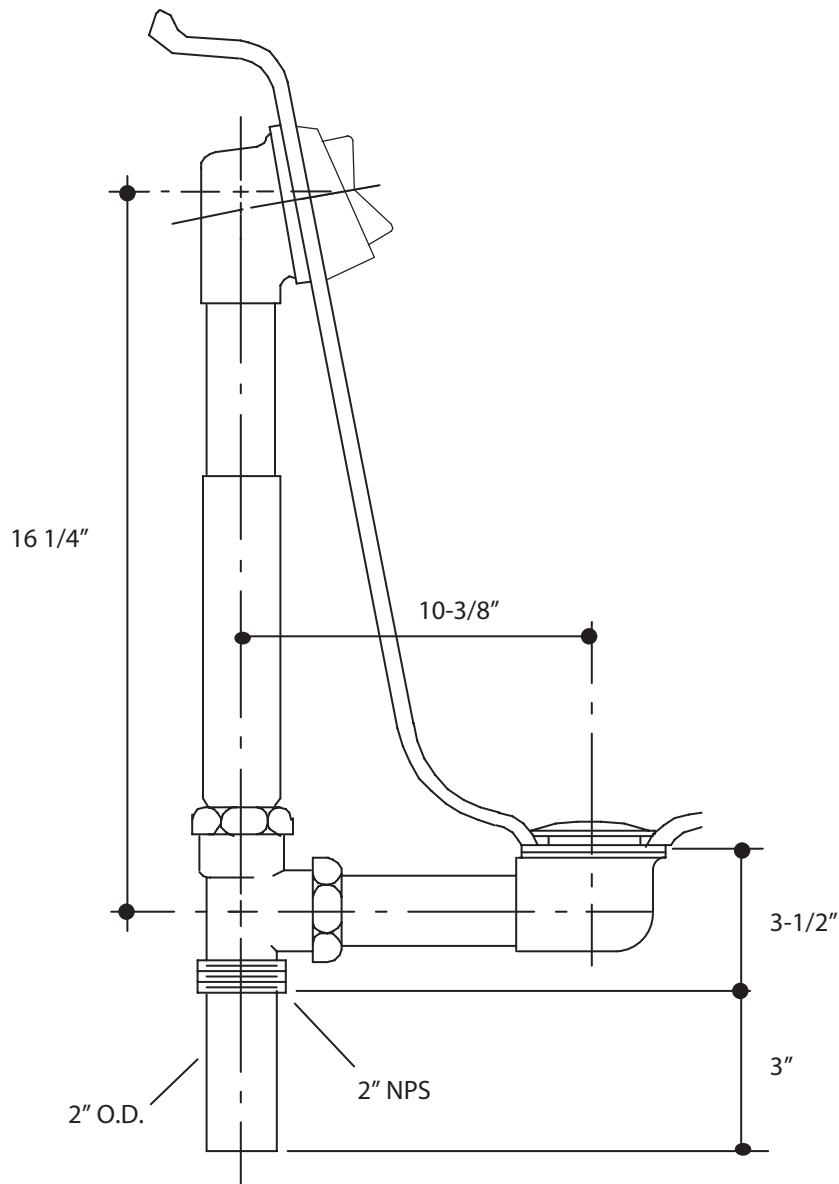


CODES/STANDARDS APPLICABLE

Specified model meets or exceeds the following:

- ASME/ANSI A112.18.1M
- Canadian Standards Association (CSA)
- IAPMO/UPC
- NSF 14

Used with P50014



SPECIFIED MODEL

Model	Description	Finishes		
P21573-00	Waste and Overflow	<input type="checkbox"/> CP Polished Chrome	<input type="checkbox"/> AD Nickel Silver	<input type="checkbox"/> AG Brushed Nickel

We reserve the right to make revisions without notice in the design of products or in packaging unless this right has specifically been waived at the time the order is accepted.