

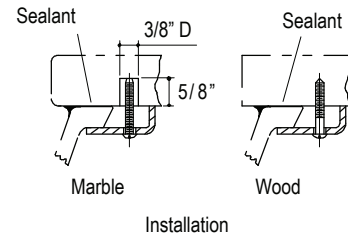
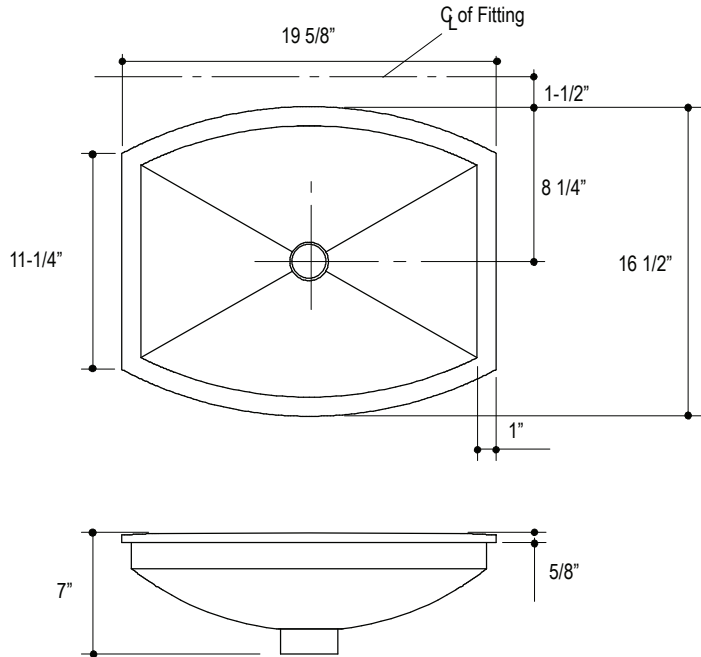
FEATURES

- Vitreous China
- Undercounter Mounting
- Includes Mounting Hardware

CODES/STANDARDS APPLICABLE

- Specified Model Meets or Exceeds the Following:
- ASME/ANSI A112.19.2
 - CAN/CSA-B45

P72025



PRODUCT INFORMATION		
Fixture *	Basin Area	Water Depth
Lavatory	17-1/2" x 14-1/8"	4-3/4"
Outlet	1-1/2"	
* Approximate Measurements for Comparison		
Included Components: Basin Clamp Assembly		
Cutout Template	116953-7	

ROUGHING-IN NOTES
All Dimensions are Nominal.
Supplied Basin Clamp Assemblies Require 1" Minimum Countertop Thickness. Installer Must Supply Anchors for Thinner Countertops.

SPECIFIED MODEL			
Model	Description	Finishes	
P72025-00	Barbara Barry Undercounter Basin	<input type="checkbox"/> 0 Stucco White	<input type="checkbox"/> 96 Linen
P72025-WO	Barbara Barry Undercounter Basin with Overflow	<input type="checkbox"/> 0 Stucco White	<input type="checkbox"/> 96 Linen

We reserve the right to make revisions without notice in the design of products or in packaging unless this right has specifically been waived at the time the order is accepted.