

KALLISTA®

Barbara Barry Showerhead Pressure Balance and Spout

FEATURES

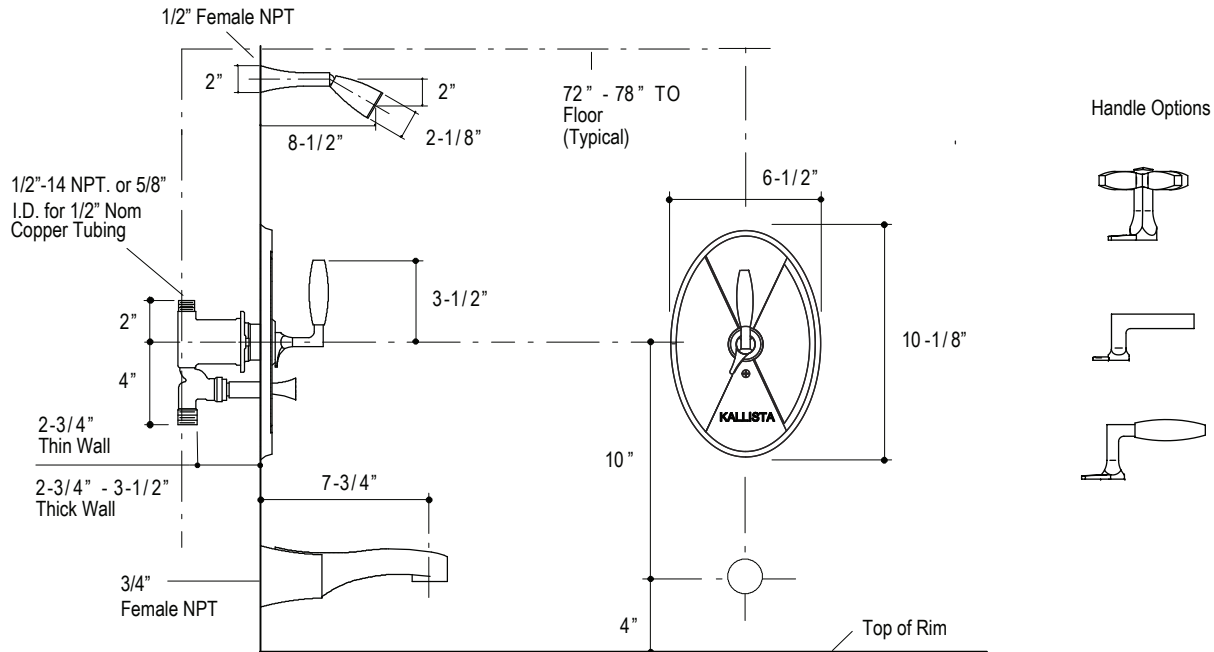
- Brass Construction
- 2.5 GPM (Showerhead)
- 1/2"-14 NPT Connection

CODES/STANDARDS APPLICABLE

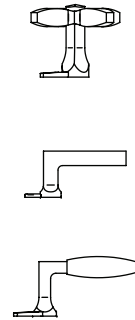
Specified Model Meets or Exceeds the Following:

- ASME/ANSI A112.18.1-2005/CSA B125.1-05 (Rough Valves Only)
- ASSE 1016 (Rough Valves Only)
- IAPMO/UPC (Rough Valves Only)

P21432, P22614
P22615, P22616



Handle Options



SPECIFIED MODEL

Model	Description	Finishes		
P21432-00	Barbara Barry Showerhead with Arm	<input type="checkbox"/> CP Polished Chrome	<input type="checkbox"/> AD Nickel Silver	<input type="checkbox"/> AG Brushed Nickel
P22614-00	Barbara Barry Wall Bath Spout	<input type="checkbox"/> CP Polished Chrome	<input type="checkbox"/> AD Nickel Silver	<input type="checkbox"/> AG Brushed Nickel
P22615-XC	Barbara Barry Pressure Balance Trim, Cross Handle	<input type="checkbox"/> CP Polished Chrome	<input type="checkbox"/> AD Nickel Silver	<input type="checkbox"/> AG Brushed Nickel
P22615-XX	Barbara Barry Pressure Balance Trim, Lever Handle	<input type="checkbox"/> CP Polished Chrome	<input type="checkbox"/> AD Nickel Silver	<input type="checkbox"/> AG Brushed Nickel
P22615-XQ	Barbara Barry Pressure Balance Trim, Square Handle	<input type="checkbox"/> CP Polished Chrome	<input type="checkbox"/> AD Nickel Silver	<input type="checkbox"/> AG Brushed Nickel
P19300-BB	Rough-in Assembly	<input type="checkbox"/> NA		
P19300-WS	Rough-in Assembly with Stops	<input type="checkbox"/> NA		
P29303-BB	High-Flow Rough-in Assembly	<input type="checkbox"/> NA		
P22616-XC	Barbara Barry Pressure Balance Trim with Diverter, Cross Handle	<input type="checkbox"/> CP Polished Chrome	<input type="checkbox"/> AD Nickel Silver	<input type="checkbox"/> AG Brushed Nickel
P22616-XX	Barbara Barry Pressure Balance Trim with Diverter, Lever Handle	<input type="checkbox"/> CP Polished Chrome	<input type="checkbox"/> AD Nickel Silver	<input type="checkbox"/> AG Brushed Nickel
P22616-XQ	Barbara Barry Pressure Balance Trim with Diverter, Square Handle	<input type="checkbox"/> CP Polished Chrome	<input type="checkbox"/> AD Nickel Silver	<input type="checkbox"/> AG Brushed Nickel
P19301-BB	Rough-in Assembly	<input type="checkbox"/> NA		
P19301-WS	Rough-in Assembly with Stops	<input type="checkbox"/> NA		

We reserve the right to make revisions without notice in the design of products or in packaging unless this right has specifically been waived at the time the order is accepted.