

### FEATURES

- Variable Speed Pump
- 2 HP Motor
- Tub Mounted Electronic Control with Feedback
- Additional Remote Control
- In Line Water Heater

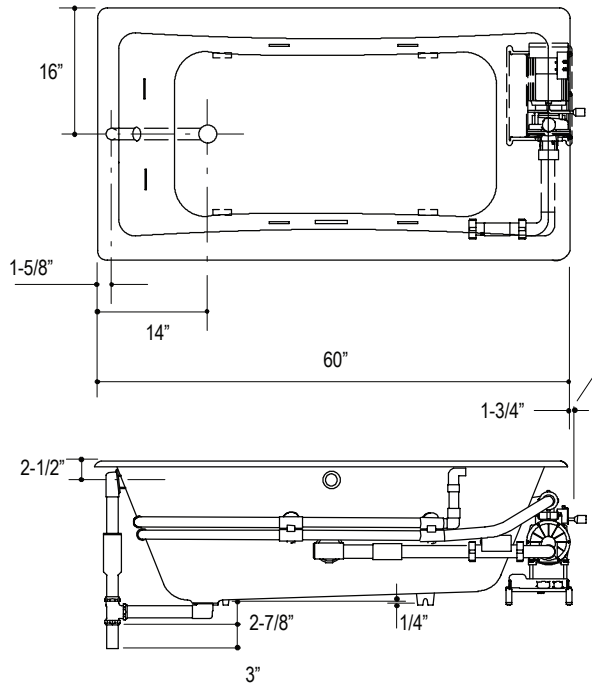
### CODES/STANDARDS APPLICABLE

Specified Model Meets or Exceeds the Following:

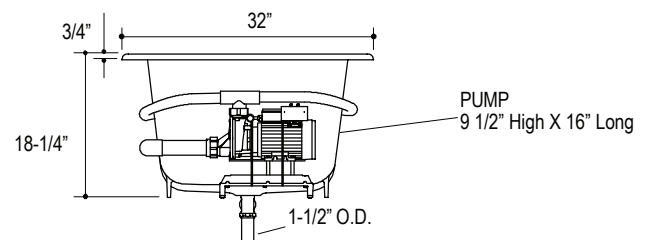
- ADA
- ASME A112.19.1
- ASME A112.19.7
- IAPMO/UPC
- Underwriters Laboratories (UL)

# P50014-H2

# P50014-BA



REQUIRED ELECTRICAL SERVICE	
Dedicated Circuit Required, Protected with Class A Ground-Fault Circuit-Interrupter (GFCI) or Earth-Leakage Circuit-Breaker (ELCB):	
Pump / Control	220-240V, 20A, 50/60 Hz



PRODUCT INFORMATION				
Fixture*:	Basin Area	Top Area	Weight	
Bathing Well	40-1/2" x 20"	54" x 24"	445 lbs.	
	Water depth	Capacity		
To Overflow	13-5/8"	60 Gal.		
*Approximate Measurements for Comparison only.				
Heater	Voltage	Frequency	Pump	Amperage
1.5kW	240V	50/60 Hz	1.5 HP	11A

ROUGHING-IN NOTES		
No change in Measurements if Connected with Drain Illustrated.		
Drop-in Cut-out	58-1/2" x 30-1/2"	
Minimum Access Panel:		
Pump / Control	24" W x 14" H	Required
Floor Support Under Whirlpool must Provide for a Minimum of 1200 lbs. (544.3 kg).		
Hot Water Supply must be 70% of Capacity or Greater.		

SPECIFIED MODEL				
Model	Description	Colors/Finishes		
P50014-H2	Barbara Barry Whirlpool	<input type="checkbox"/> 0 Stucco White	<input type="checkbox"/> 96 Linen	
P50014-BA	Barbara Barry Bath	<input type="checkbox"/> 0 Stucco White	<input type="checkbox"/> 96 Linen	
Required Accessories (Pick One)				
P21573-00	Barbara Barry Waste and Overflow	<input type="checkbox"/> CP Polished Chrome	<input type="checkbox"/> AD Nickel Silver	<input type="checkbox"/> AG Brushed Nickel
P21575-00	Standard Waste and Overflow	<input type="checkbox"/> CP Polished Chrome	<input type="checkbox"/> AD Nickel Silver	<input type="checkbox"/> AG Brushed Nickel
Optional Accessories				
P51002-00	Whirlpool Trim Kit, 6 Jet	<input type="checkbox"/> CP Polished Chrome	<input type="checkbox"/> AD Nickel Silver	<input type="checkbox"/> AG Brushed Nickel

We reserve the right to make revisions without notice in the design of products or in packaging unless this right has specifically been waived at the time the order is accepted.