

INSTALLATION

GUIDE

GLAMOUR™
RAINBAR

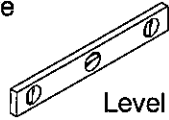
P21436

KALLISTA®

RECOMMENDED TOOLS AND MATERIALS



Tape Measure



Level



Safety Glasses



2mm Allen Wrench



4mm Allen Wrench

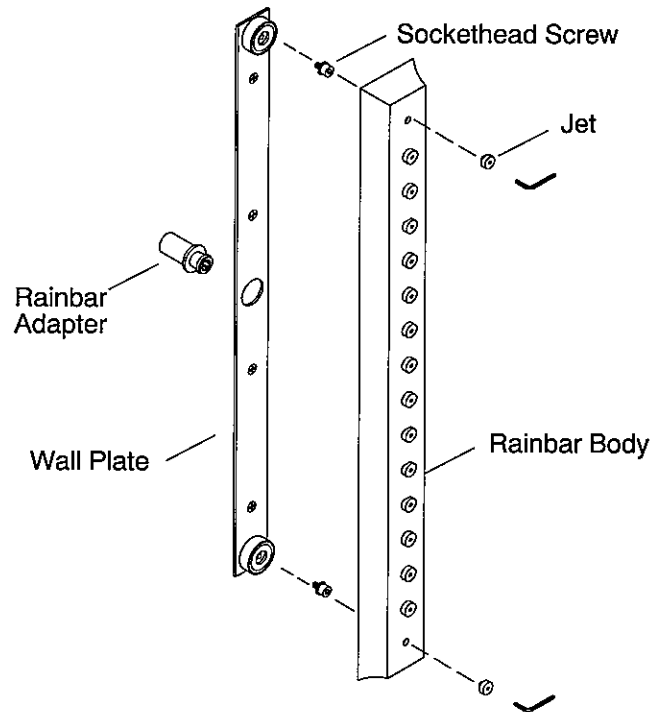


10mm Allen Wrench

BEFORE YOU BEGIN

⚠ CAUTION: Risk of personal injury or product damage. Handle with care.

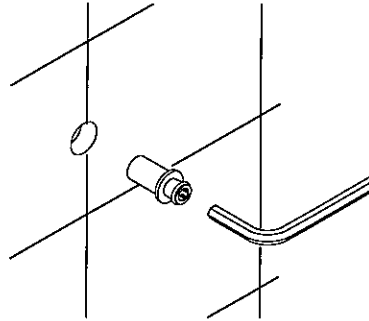
- Observe all local plumbing and building codes.
- Carefully inspect the new rainbar for damage.



1 INSTALL THE RAINBAR ADAPTER

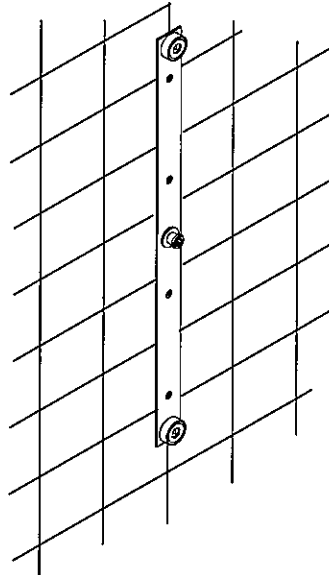
Rough 1/2" NPT adapter in at the desired height (approximately 43" from shower floor) and install so that the end extends 3/4" from finished wall.

Use 10mm allen wrench to secure adapter.



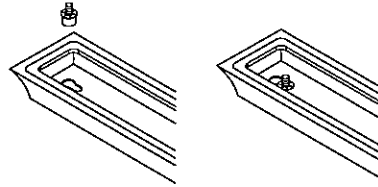
2 INSTALL THE RAINBAR WALL PLATE

Position the rainbar wall plate vertically over the installed adapter and secure to wall.

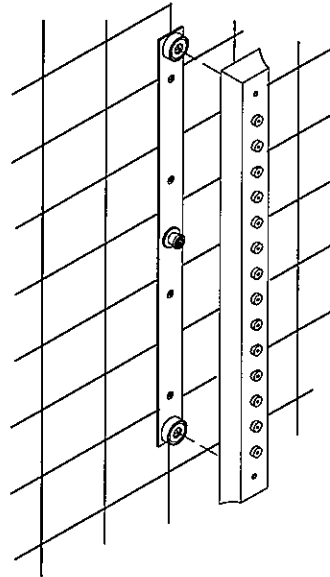


3. INSTALL THE RAINBAR

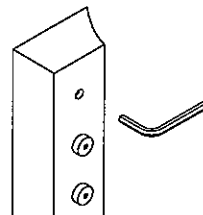
Slide sockethead screws into slot on backside of rainbar body. Make sure the sockethead screws are seated properly.



Position rainbar body over the wall plate and adapter.

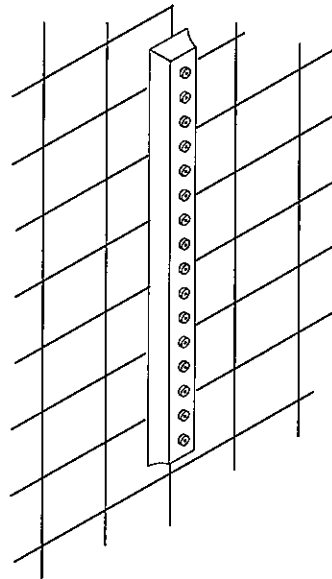
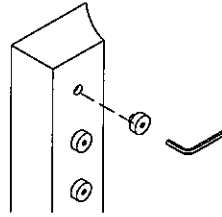


Secure the rainbar body by tightening sockethead screws through open jet holes at the top and bottom.



4 COMPLETE THE INSTALLATION

Install the remaining jets at the top and bottom of the rainbar.



CALL US FOR HELP

Questions? Problems? First review the installation instructions to ensure correct installation. For additional assistance, call our Customer Service Department for direct help.

Call 1-888-4-KALLISTA

Fax 1-888-272-3094

KALLISTA.

www.KallistaInc.com