

KALLISTA®

Glamour Whirlpool and Bath

FEATURES

- Variable Speed Pump
- 2 HP Motor
- Tub Mounted Electronic Control with Feedback
- Additional Remote Control
- In-Line Water Heater

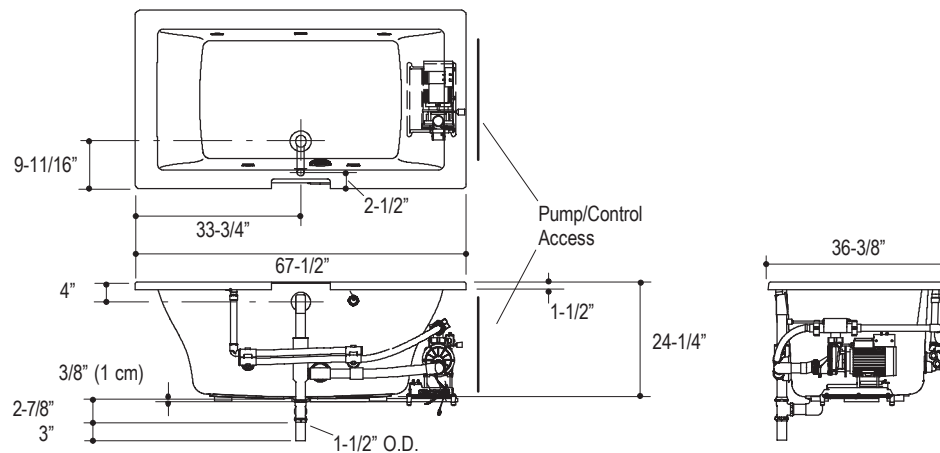
CODES/STANDARDS APPLICABLE

Specified Model Meets or Exceeds the Following:

- ANSI Z124.1
- ASME A112.19.7
- IAPMO/UPC
- Underwriters Laboratories (UL)

P50016-BA

P50016-H2



REQUIRED ELECTRICAL SERVICE

Dedicated Circuit Required, Protected with Class A Ground-Fault Circuit-Interrupter (GFCI) or Earth-Leakage Circuit Breaker (ELCB):

Pump/Control	220-240V, 20A, 50/60 Hz
--------------	-------------------------

PRODUCT INFORMATION

Fixture*:	Basin Area	Top Area	Weight	
Bathing Well	39" x 22"	58-3/4" x 28-15/16"	160 lbs. (WP) 95 lbs. (Bath)	
	Water Depth	Capacity		
To Overflow	23.5"	106 Gal.		
*Approximate Measurements for Comparison Only				
Pump	Heater	Voltage	Frequency	Amperage
1.5 HP	1.5 kW	240V	50/60 Hz	11A

ROUGHING-IN NOTES

No Change in Measurements if Connected with Drain Illustrated.		
Cut-Out (Undermount)	66" (167.6 cm) x 35" (88.9 cm)	
Minimum Access Panel:		
Pump/Control	24" (60.9 cm)W x 14" (35.5 cm)H	Required
Faucet Area		Recommended
Floor Support Under Whirlpool must Provided for a Minimum of 1200 lbs. (544.3 kg)		
Hot Water Supply must be 70% of Capacity or Greater.		

SPECIFIED MODEL

Model	Description	Colors/Finishes		
P50016-BA	Glamour Bath	<input type="checkbox"/> 0 Stucco White	<input type="checkbox"/> 96 Linen	
P50016-H2	Glamour Whirlpool Bath	<input type="checkbox"/> 0 Stucco White	<input type="checkbox"/> 96 Linen	
Required Accessory				
P21578-00	Waste and Overflow	<input type="checkbox"/> CP Polished Chrome	<input type="checkbox"/> AD Nickel Silver	<input type="checkbox"/> AG Brushed Nickel
Optional Accessories				
P51007-00	Whirlpool Trim Kit, 5 Jet	<input type="checkbox"/> CP Polished Chrome	<input type="checkbox"/> AD Nickel Silver	<input type="checkbox"/> AG Brushed Nickel

We reserve the right to make revisions without notice in the design of products or in packaging unless this right has specifically been waived at the time the order is accepted.