

INSTALLATION

G U I D E

KITCHEN AND BAR
FAUCETS

KALLISTA®

RECOMMENDED TOOLS AND MATERIALS



Adjustable
Wrench



Hacksaw or
Tubing Cutter



Plumbers
Putty



Thread
Sealant

BEFORE YOU BEGIN

NOTES

- Observe all local plumbing codes.
- Shut off the main water supply.
- If the supply tubes must be cut, be sure to allow for required penetration into the supply fittings.
- Carefully inspect the waste and supply tubing for any sign of damage. Replace if necessary.

FOR NEW INSTALLATIONS

- Assemble the faucet and drain to the sink before installing the sink.

ORDERING INFORMATION

Bar faucet P21560, L21560

Kitchen faucet . . . P21561, L21561

Kitchen faucet w/spray . . . P21563

OPTIONAL TOOLS AND MATERIALS

- Pipe wrench
- Pliers
- Supply tubes
- Shut-off valves
- Trap
- Vacuum breaker (P21563 only)

1. FAUCET BODY INSTALLATION

NOTE: Handle and spout styles may vary from model to model. Installation is identical for all models.

Fit the washer on the faucet escutcheon, and position the faucet in the sink hole so the "Cold" side is on the right.

From the underside of the sink, secure the faucet with the washer and nut. Verify the orientation of the faucet, then securely tighten the nut.

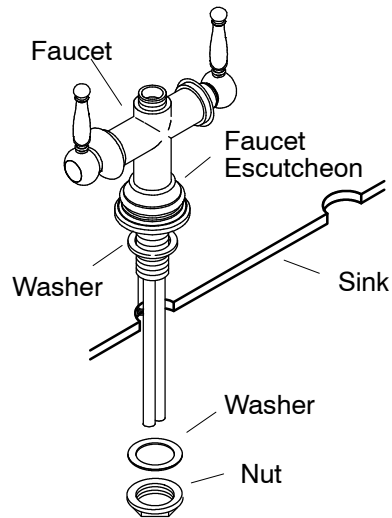


Fig. #1

Apply a bead of plumbers putty or other sealant around the underside of the hose guide according to the putty manufacturer's instruction. Fit the hose guide into the sink hole to the right of the faucet. Thread the washer and nut to the hose guide, and securely hand tighten. Remove any excess putty or sealant.

Insert the hose down through the hose guide. Securely tighten the hose fitting to the faucet spray tube.

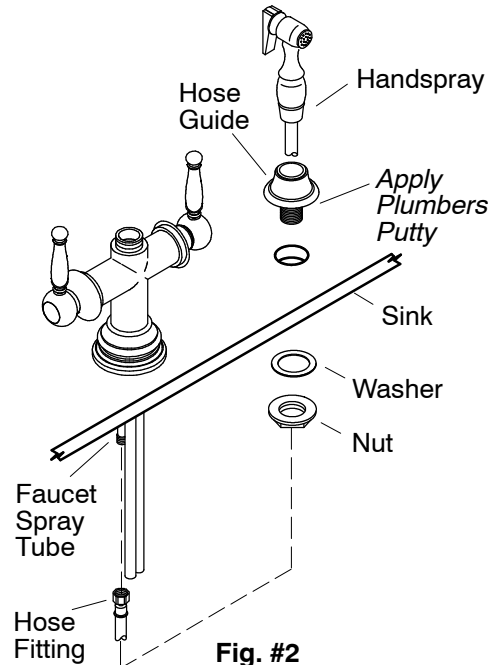


Fig. #2

2. SPOUT INSTALLATION

Position the spout in the faucet body, and tighten the spout nut.

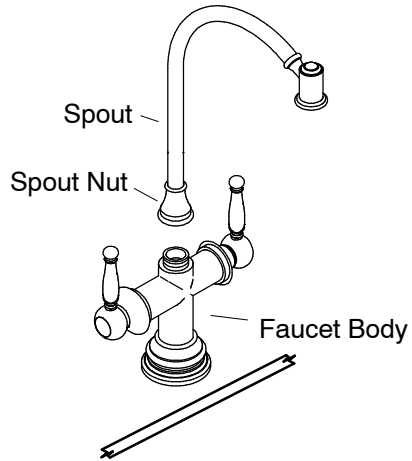


Fig. #3

3. SUPPLY TUBE INSTALLATION

If the sink is not yet installed, install it at this time.

Make sure the below deck nut in Fig. #1 is in place before proceeding.

Slide the coupling nuts and ferrules onto the supply tubes. Carefully insert the supply tubes into the faucet inlets and shut-off valve outlets (if used), and secure with coupling nuts.

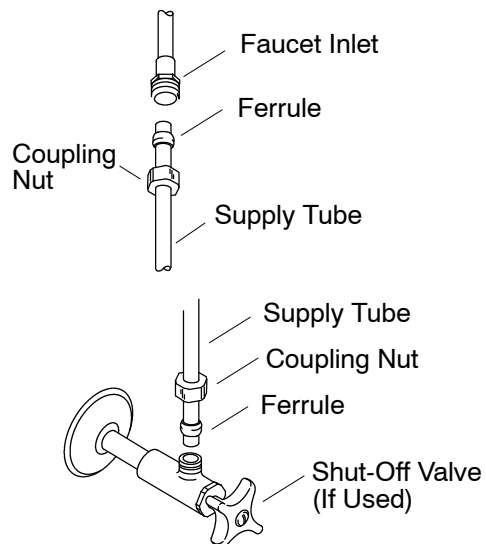


Fig. #4

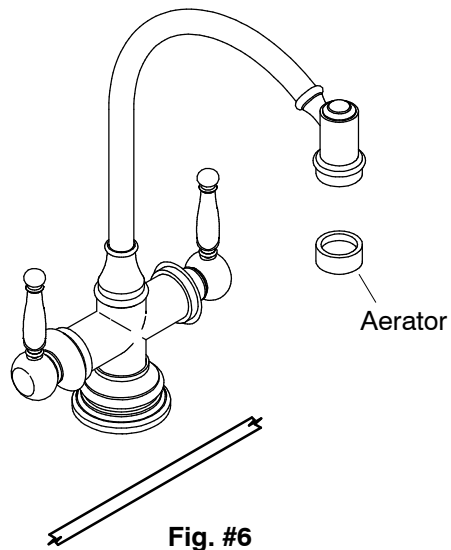
4. COMPLETING THE INSTALLATION

Ensure that all coupling nuts are tight.

Ensure that both faucet handles are turned off (hot = counterclockwise close, cold = clockwise close).

Turn on the main water supply, and check for leaks. Repair as required.

Remove the aerator. Open both hot and cold valves and run water through the spout for about a minute to remove any debris. Check for leaks. Remove any debris from the aerator. Turn the valves off, and re-install the aerator.



CALL US FOR HELP

Questions? Problems? First review the installation instructions to ensure correct installation. For additional assistance in the USA, call our Customer Service Department for direct help. You may also contact us at our web site listed below.

Call 1-888-4-KALLISTA

Fax 1-888-272-3094

www.Kallista.com

KALLISTA.