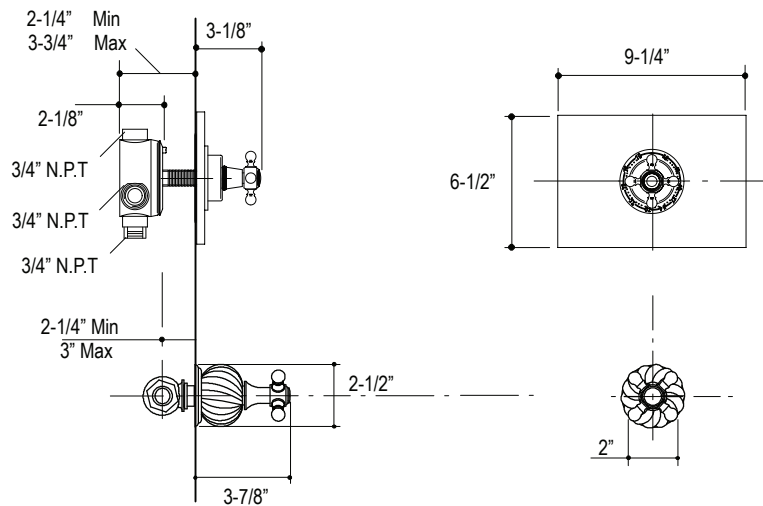


CODES/STANDARDS APPLICABLE

P22114, P22523

Specified Model Meets or Exceeds the Following:

- ASSE/ANSI 1016 (Thermostatic Valve Only)
- CSA B125-01 (Thermostatic Valve Only)
- ADA



SPECIFIED MODEL			
Model	Description	Finishes	
P22114-CR	Baccarat Thermostatic Valve Trim	<input type="checkbox"/> CP Polished Chrome <input type="checkbox"/> AD Nickel Silver	<input type="checkbox"/> AG Brushed Nickel <input type="checkbox"/> BZ Antique Bronze
P22523-XP	Baccarat Wall Valve Trim (Each) Plain Cross Handle	<input type="checkbox"/> AD Nickel Silver	<input type="checkbox"/> AG Brushed Nickel
P22523-XX	Baccarat Wall Valve Trim (Each) Hot Cross Handle	<input type="checkbox"/> AD Nickel Silver	<input type="checkbox"/> AG Brushed Nickel
P22523-XY	Baccarat Wall Valve Trim (Each) Cold Cross Handle	<input type="checkbox"/> AD Nickel Silver	<input type="checkbox"/> AG Brushed Nickel
Required Accessories			
P19108-00	Rough-In, Thermostatic	<input type="checkbox"/> NA	
P19104-00	Rough-In, Wall Valve	<input type="checkbox"/> NA	
P22550-00	Baccarat Crystal Knob, Single (One per Wall Valve)	<input type="checkbox"/> CC Clear <input type="checkbox"/> RC Red	<input type="checkbox"/> CB Cobalt Blue

We reserve the right to make revisions without notice in the design of faucets or in packaging unless this right has specifically been waived at the time the order is accepted.