

### FEATURES

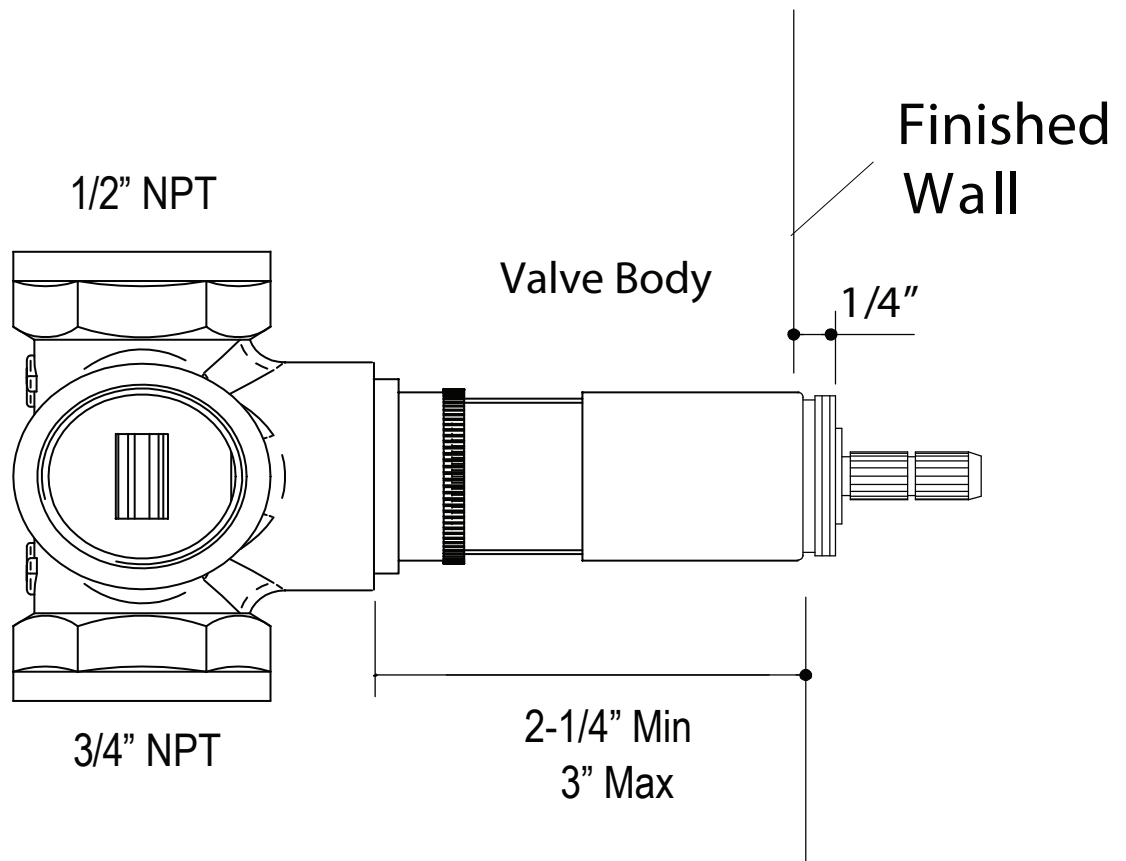
- Brass Construction

P29011

### CODES/STANDARDS APPLICABLE

Specified Model Meets or Exceeds the Following:

- ASSE/ANSI 1016
- ADA



SPECIFIED MODEL		
Model	Description	Finish
P29011-00	Diverter Valve Rough-In Assembly	<input type="checkbox"/> NA

We reserve the right to make revisions without notice in the design of fixtures or in packaging unless this right has specifically been waived at the time the order is accepted.