

### FEATURES

- Brass Construction
- Wall-mount
- Brass Valve Body
- Single-handle Control
- High-flow Valving
- High-temperature Limit Stop for Added Safety
- Temperature-balancing Mechanism
- Scald Hazard Prevention
- Integral Stops
- Crossflow Prevention
- 1/2" or 3/4" NPT Connections
- Filter Screens

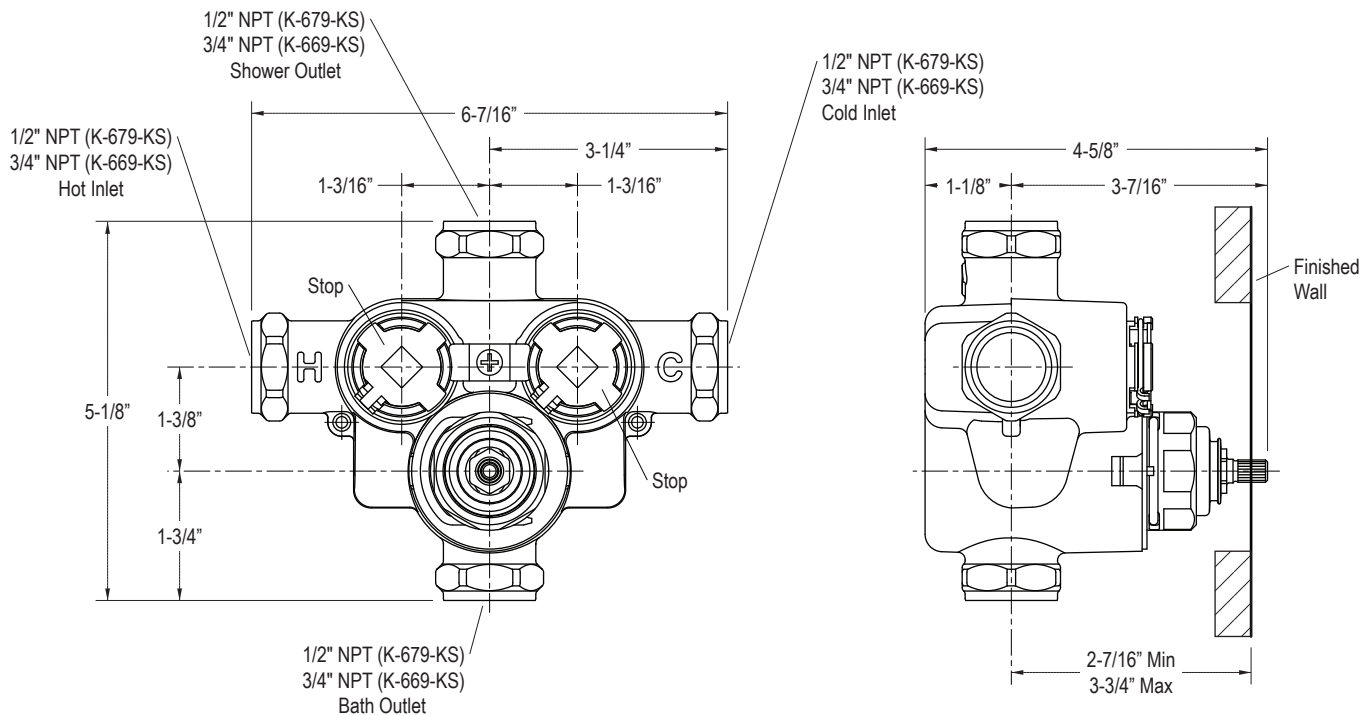
### CODES/STANDARDS APPLICABLE

Specified Model Meets or Exceeds the Following:

- ASME A112.18.1
- ASSE 1016
- CSA B125
- IAPMO/UPC

P29508

P29509



SPECIFIED MODEL		
Model	Description	Finishes
P29508-WS	3/4" Thermostatic Mixer Valve	<input type="checkbox"/> NA
P29509-WS	1/2" Thermostatic Mixer Valve	<input type="checkbox"/> NA
Required Accessory		
P29526-00	3/4" Volume Control Valve - for use on bath and shower outlets	<input type="checkbox"/> NA
P29524-00	1/2" Volume Control Valve - for use on bath and shower outlets	<input type="checkbox"/> NA

We reserve the right to make revisions without notice in the design of products or in packaging unless this right has specifically been waived at the time the order is accepted.