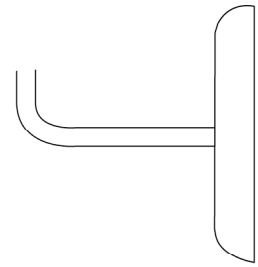




□ 1991 Fire Farm, Inc.
Elkader, IA
Made in the USA

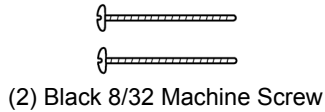
WALL SCONCE INSTALLATION



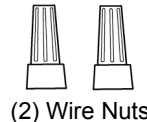
Parts Included: (parts not shown to scale)



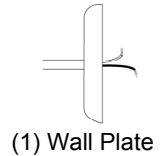
(1) Crossbar & Ground screw



(2) Black 8/32 Machine Screw

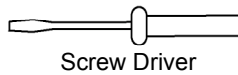


(2) Wire Nuts

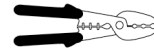


(1) Wall Plate

Tools Needed:



Screw Driver



Wire Strippers

Assembly:

WARNING: RISK OF FIRE AND ELECTRIC SHOCK. THIS PRODUCT IS TO BE INSTALLED BY A QUALIFIED ELECTRICIAN ONLY.

1. **At the circuit breaker/fuse box, turn off power to the junction box where the fixture is to be installed.**
2. **(figure 1)** Pull the positive and negative wires from the junction box through the center hole in the Crossbar.
3. **(figure 1)** Make a hook out of the green or bare copper ground wire and place it over the mounting hole in the Crossbar. Screw in the green ground screw to secure the ground wire to the junction box.
4. **(figure 1)** Screw in the two junction box screws through the slots in the Crossbar to secure the Crossbar to the junction box.
5. **(figure 2)** Use the Wire Nuts to connect the positive and negative wires. The side of the wire with ridges should connect to the neutral or white wire. The side of the wire that is smooth should connect to the hot or black wire.
6. **(figure 2)** Screw the Wall Plate into the Crossbar with the Black 8/32 Machine Screws to secure the sconce to the wall.

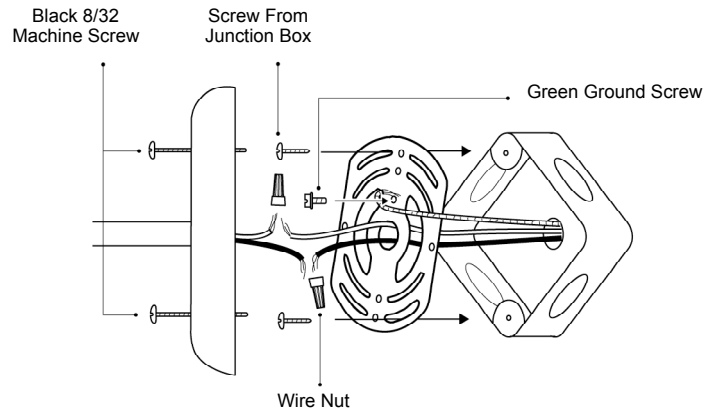


Figure 1

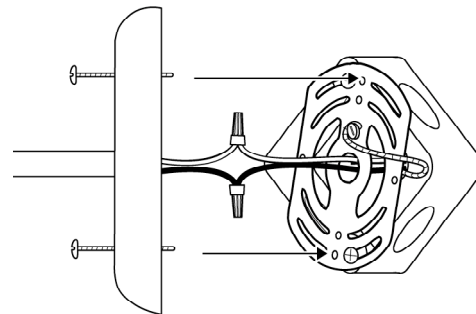


Figure 2

SAFETY INFORMATION

SAFETY

We have designed your lamp to meet the highest **UL and CUL Approved** safety standards.

WARNING: RISK OF FIRE AND ELECTRIC SHOCK. THIS PRODUCT IS TO BE INSTALLED ONLY BY A QUALIFIED ELECTRICIAN.