

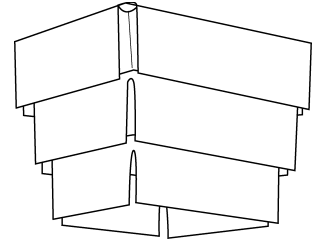


1997 Fire Farm, Inc.
Elkader, IA
Made in the USA

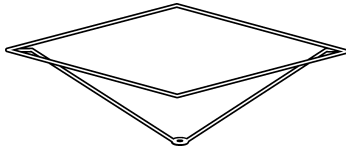
Assembly Instructions

CASCADE

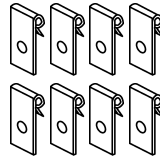
Item 64-R



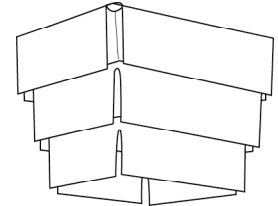
Parts Included: (pictures not to scale)



(1) Square Frame



(8) Shade Clips



(1) Shade

Assembly:

The shade frame will need to be installed prior to beginning the steps on this instruction sheet. The directions for installing the shade frame are located on a separate sheet included in this box.

- (figure 1)** Slide the 4 flaps of the shade up through the square frame. Drape the flaps over the 4 sides of the square frame.
- (figure 2)** Attach 2 shade clips onto each flap to secure the shade to the square frame.
- Install Bulb, turn on, and enjoy!

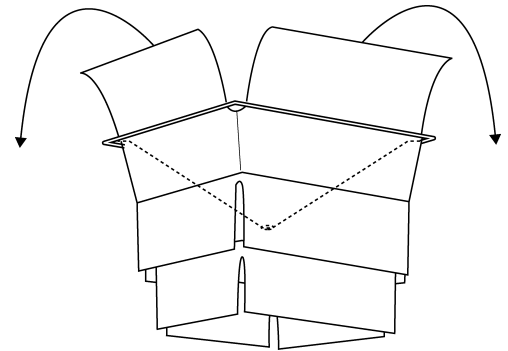


Figure 1

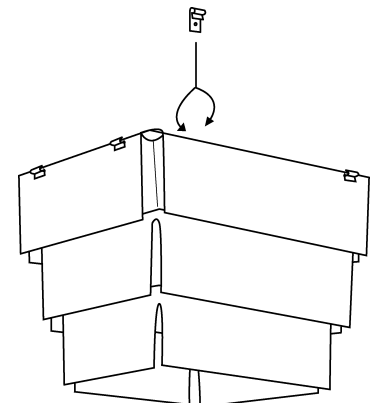


Figure 2

You may use a combined maximum 240-watts

SAFETY INFORMATION

SAFETY

We have designed your lamp to meet the highest **UL and CUL** safety standards.

WARNING: RISK OF FIRE AND ELECTRIC SHOCK. THIS PRODUCT IS TO BE INSTALLED ONLY BY A QUALIFIED ELECTRICIAN.

CARE

Fabric shade . . .

This Shade is made from hemp muslin or dupiori silk and may be ironed with a cool iron and washed in cold water and allowed to air dry, or may be dry cleaned.