

Installation Instructions

30", 36" and 48"
All Gas Professional Ranges

**Pour toutes les cuisinières
professionnelles au gaz
de 30" (76 cm), 36" (91 cm)
et de 48" (121 cm)**
Instructions d'installation

La section française commence à la page 27

**Estufas profesionales
completamente a gas
de 30", 36" y 48"**
Instrucciones de instalación

La sección en español empieza en la página 51



Installation Instructions

BEFORE YOU BEGIN

Read these instructions completely and carefully.

- **IMPORTANT** – Save these instructions for local inspector's use.
- **IMPORTANT** – Observe all governing codes and ordinances.
- **Note to Installer** – Be sure to leave these instructions with the Consumer.
- **Note to Consumer** – Keep these instructions with your Owner's Manual for future reference.
- **Completion Time** – 1 to 3 hours.
- Proper installation is the responsibility of the installer. Product failure due to improper installation is not covered under the warranty. See Owner's Manual for warranty information.

⚠ **WARNING:**

This appliance must be properly grounded. Follow directions in "Electric Supply" of this manual. Failure to do so may result in electric shock.

For Monogram local service in your area, 1.800.444.1845.

For Monogram Service in Canada, call 1.800.561.3344.

For Monogram Parts and Accessories, call 1.800.626.2002.

If you received a damaged range, you should contact your dealer.

In the Commonwealth of Massachusetts:

- This product must be installed by a licensed plumber or gas fitter.
- When using ball type gas shut off valves, they shall be T-handle type.
- A flexible gas connector, when used, must not exceed 3 feet.

⚠ **WARNING:**

All ranges can tip. Injury could result. Install the supplied Anti-Tip Bracket provided. See instructions in this manual or with the bracket.

If sold outside the U.S. and Canada:

⚠ WARNING: If you wish to use this product with Liquefied Petroleum (LP) gas containing greater than 10% butane, you must purchase the butane conversion kit #WB28K10589. To order, please call 1.888.664.8403 or 1.787.276.4051. Failure to do so may result in carbon monoxide or fire hazard.

Vent hood Combinations:

A suitable overhead vent hood is required for models with a grill and is recommended for all other models.

- Install a hood with at least 1200 CFM above a 48" wide range.
- Install a hood with at least 600 CFM above a 30" or 36" range.

Due to the high heat capacity of this unit, particular attention should be paid to the hood and ductwork installation to assure it meets local building codes.

⚠ **WARNING:**

Clearances to horizontal surfaces above the range, measured to the cooking surface are below. Failure to comply may result in fire hazard.

- Installations without a hood require 48" minimum to combustibles.
- A custom hood installation with exposed horizontal combustibles surfaces must have an Auto-On feature.
- For other installations with a hood, refer to hood installation instructions for specific hood clearances.

⚠ **CAUTION:**

These ranges weigh up to 700 pounds. Some disassembly will reduce the weight considerably. Due to the weight and size of the range and to reduce the risk of personal injury or damage to the product:

TWO PEOPLE ARE REQUIRED FOR PROPER INSTALLATION OF 36" AND 30" RANGES.

THREE PEOPLE ARE REQUIRED FOR PROPER INSTALLATION OF 48" RANGES.

Leak testing of the appliance shall be conducted according to the manufacturer's instructions.

Installation must conform with local codes. In the absence of local codes, the range must comply with the *National Fuel Gas Code, ANSI Z223.1/NFPA 54*, latest edition and *National Electrical Code ANSI/NFPA 70* latest addition. In Canada, installation must conform with the current *Natural Gas Installation Code, CAN/CGA-B149.1* or the current *Propane Installation Code, CAN/CGA-B149.2*, and with local codes where applicable. This range has been design-certified by CSA International according to *ANSI Z21.1*, latest edition and *Canadian Gas Association* according to *CAN/CGA-1.1* latest edition.

Design Information

CONTENTS

Design Information

Models Available.....	3
Backsplash Accessories.....	3
Product Dimensions and Clearances.....	4-7
Tools and Materials Required.....	8

Installation Preparation

Power Supply Locations.....	9
-----------------------------	---

Installation Instructions

Step 1, Remove Packaging.....	10
Step 2, Move Range Indoors.....	11
Step 3, Install Anti-Tip Device.....	12
Step 4, Connect Range to Gas.....	13
Step 5, Connect Electrical.....	13

Step 6, Roll Range into Position.....	14
Step 7, Level the Range.....	15
Step 8, Replace Oven Doors.....	15
Step 9, Check Burners.....	16
Step 10, Check Operation of Oven Bake Burners.....	16
Step 11, Adjusting the Bake Burner at Shutter.....	16
Step 12, Check Operation of Oven Broil Burner.....	17
Finalize Installation.....	17
Installation Checklist.....	17
Accessories.....	18
Accessory Installation.....	19-21
Gas Conversion.....	22-26

MODELS AVAILABLE

These Monogram ranges are factory set for either natural gas or LP gas. Order the model for your installation situation.

48" Natural Gas Models:

ZGP484NG – 4 gas burners, grill and griddle
 ZGP486NR – 6 gas burners and grill
 ZGP486ND – 6 gas burners and griddle

48" LP Gas Models:

ZGP484LG – 4 gas burners, grill and griddle
 ZGP486LR – 6 gas burners and grill
 ZGP486LD – 6 gas burners and griddle

36" Natural Gas Models:

ZGP366N – 6 gas burners
 ZGP364NR – 4 gas burners and grill
 ZGP364ND – 4 gas burners and griddle

36" LP Gas Models:

ZGP366L – 6 gas burners
 ZGP364LR – 4 gas burners and grill
 ZGP364LD – 4 gas burners and griddle

30" Natural Gas Model: ZGP304N

30" LP Gas Model: ZGP304L

BACKSPLASH ACCESSORIES

All models require 12" minimum clearance to a vertical combustible surface at the rear. If clearance is less than 12", the entire surface of the back wall above and the full width of the range must be protected by a backsplash. The backsplash must be constructed of non-combustible material, such as metal, ceramic tile, brick, marble or other stone.

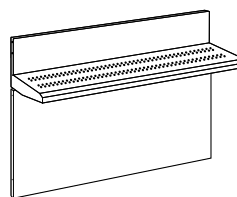
Two Backsplash Accessories Available:

- The 12" high stainless steel backsplash accessory is available. Use this backsplash in combination with a custom, non-combustible backsplash built beyond the 12" height. The combined height of the backsplash accessory and the custom backsplash must reach the bottom of a hood, or when there is no hood, to 48" above the cooking surface.

- An adjustable 30" to 36" high backsplash with shelf is also available. This backsplash fills in the space between the top of the range and the bottom of the hood. The shelf is positioned so that heat lamps from the bottom of a Monogram professional hood are directed towards the shelf.



12" High Backsplash
 ZX12B48PSS, for 48" wide ranges
 ZX12B36PSS, for 36" wide ranges
 ZX12B30PSS, for 30" wide ranges

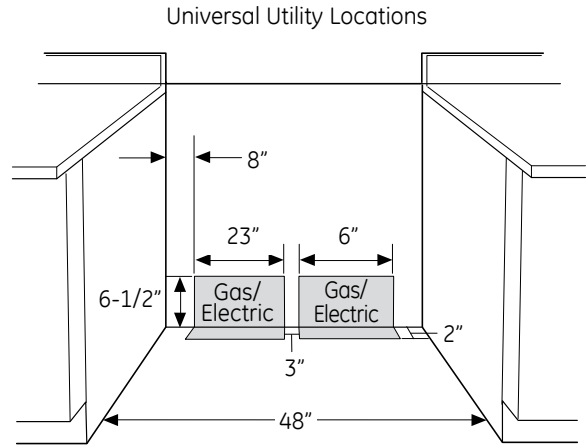
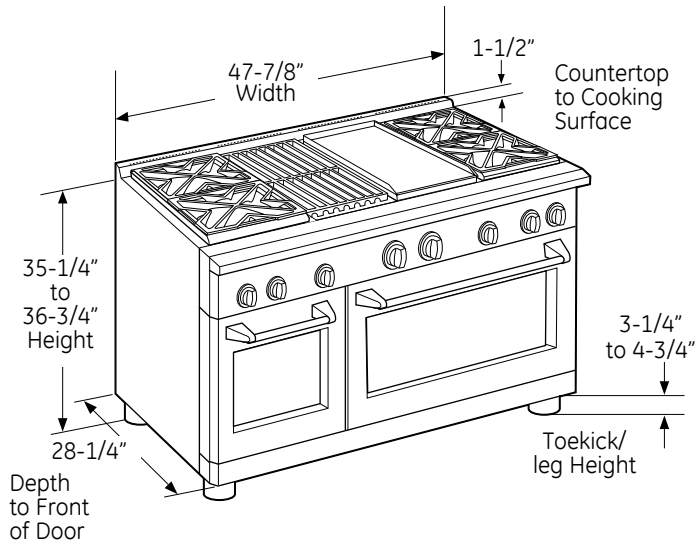


30" to 36" Adjustable Height
 Backsplash With Shelf
 ZXADJB48PSS, for 48" wide ranges
 ZXADJB36PSS, for 36" wide ranges
 ZXADJB30PSS, for 30" wide ranges

Design Information

PRODUCT DIMENSIONS AND CLEARANCES

48" Range Models

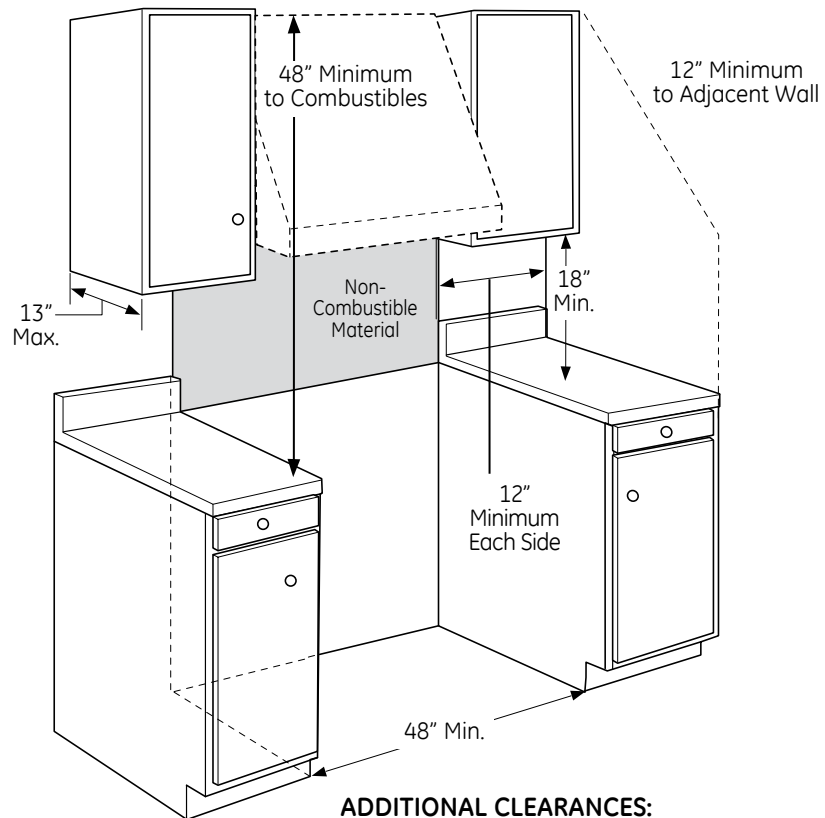


⚠ WARNING:

Installations without a hood require 48" minimum to combustibles. A custom hood installation with exposed horizontal combustible surfaces must have an Auto-On feature. Refer to hood installation instructions for specific hood clearances.

The surface of the entire back wall above the range and below the hood must be covered with a non-combustible material such as metal, ceramic tile, brick, marble or other stone.

NOTE: All openings in the floor or wall behind and below the appliance shall be sealed.



ADDITIONAL CLEARANCES:

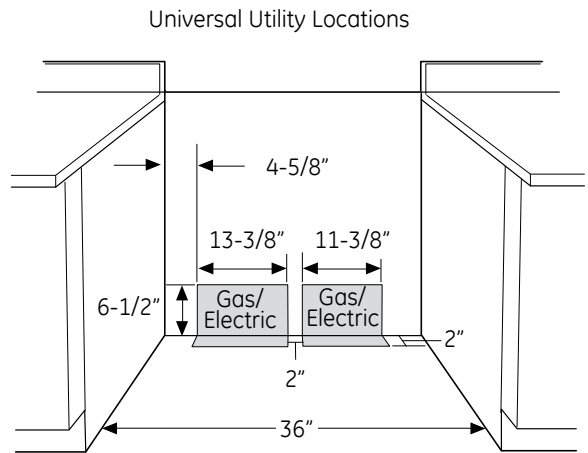
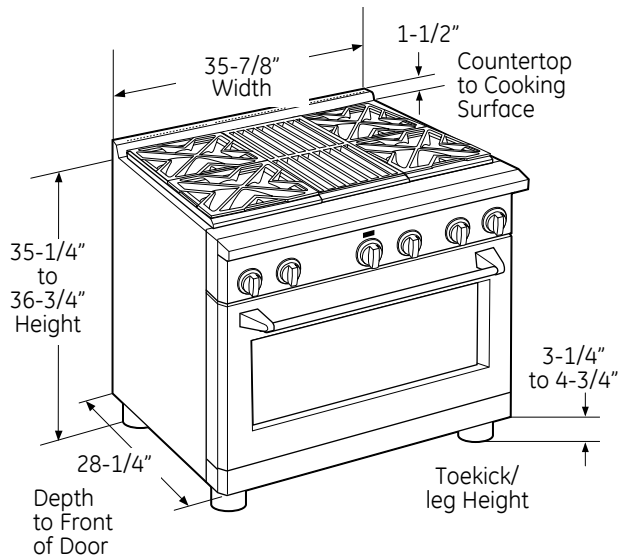
Allow 12" minimum clearance to an adjacent wall on each side.

Working areas adjacent to the rangetop should have 18" minimum clearance between countertop and the bottom of the wall cabinet.

Design Information

PRODUCT DIMENSIONS AND CLEARANCES

36" Range Models

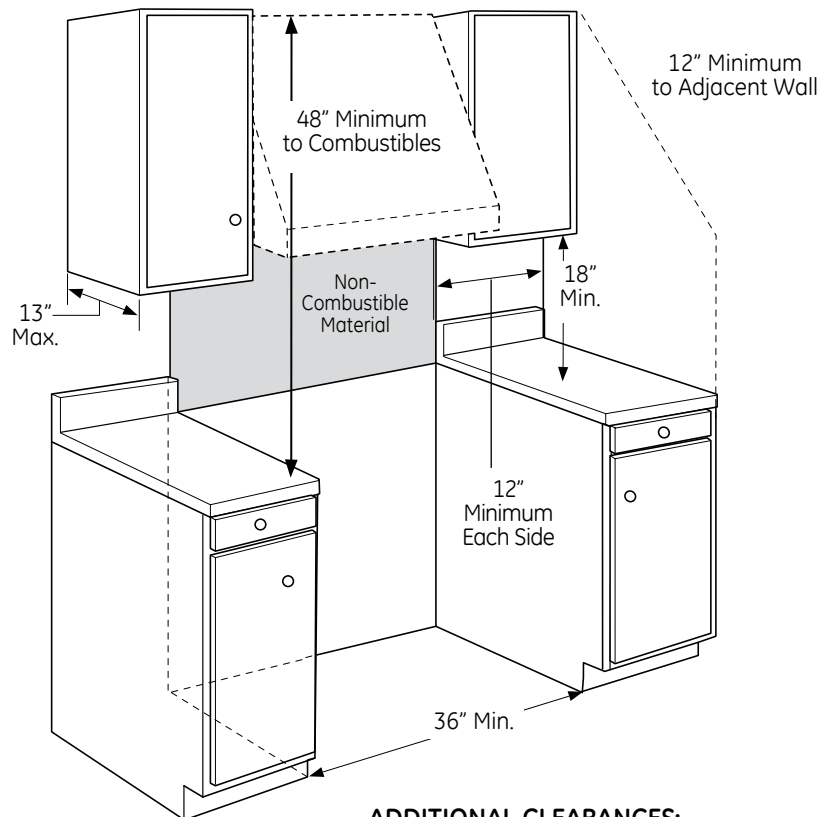


⚠ WARNING

Installations without a hood require 48" minimum to combustibles. A custom hood installation with exposed horizontal combustible surfaces must have an Auto-On feature. Refer to hood installation instructions for specific hood clearances.

The surface of the entire back wall above the range and below the hood must be covered with a non-combustible material such as metal, ceramic tile, brick, marble or other stone.

NOTE: All openings in the floor or wall behind and below the appliance shall be sealed.



ADDITIONAL CLEARANCES:

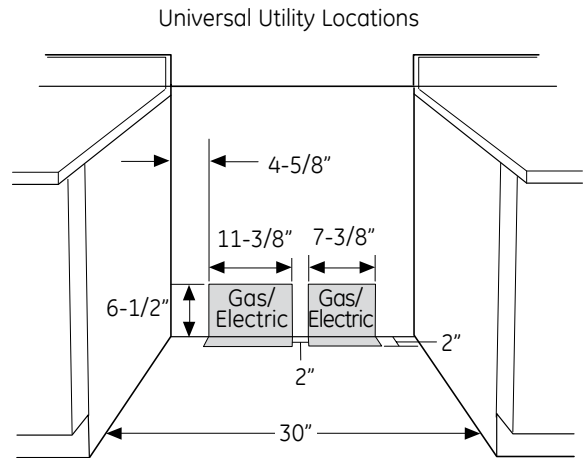
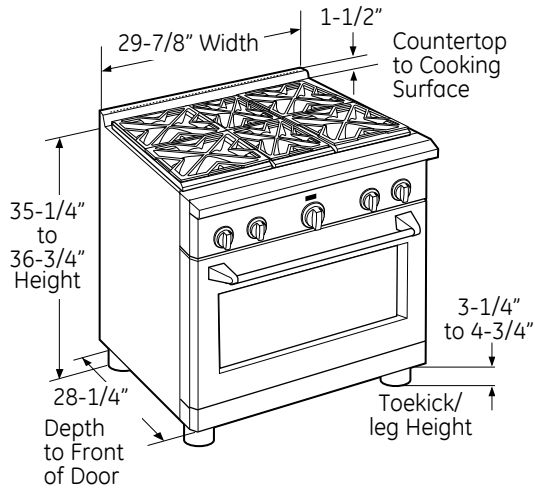
Allow 12" minimum clearance to an adjacent wall on each side.

Working areas adjacent to the rangetop should have 18" minimum clearance between countertop and the bottom of the wall cabinet.

Design Information

PRODUCT DIMENSIONS AND CLEARANCES

30" Wide Range Models

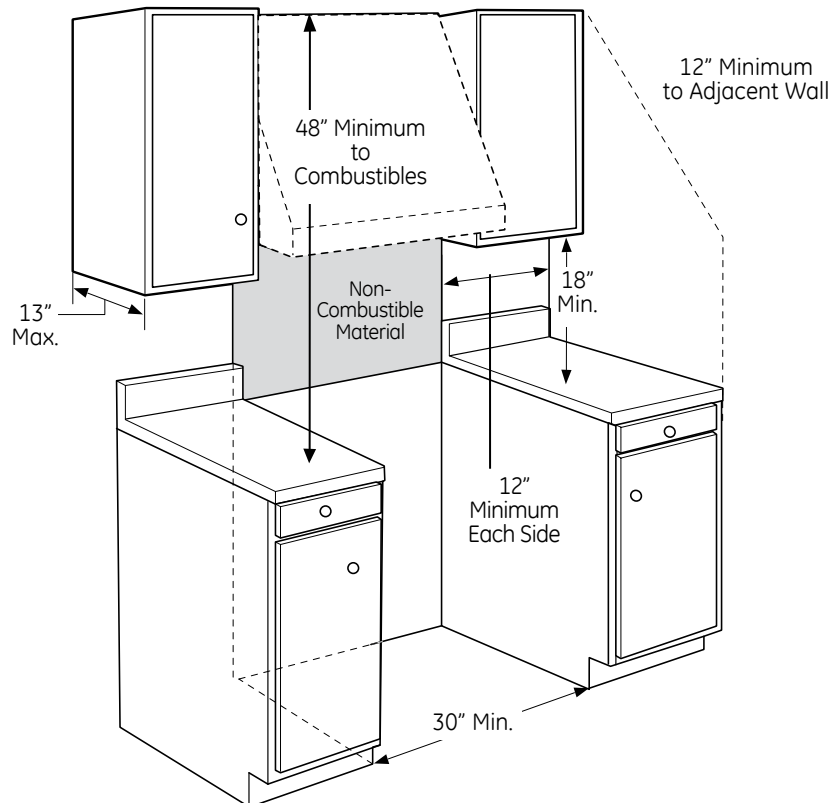


⚠ WARNING

Installations without a hood require 48" minimum to combustibles. A custom hood installation with exposed horizontal combustible surfaces must have an Auto-On feature. Refer to hood installation instructions for specific hood clearances.

The surface of the entire back wall above the range and below the hood must be covered with a non-combustible material such as metal, ceramic tile, brick, marble or other stone.

NOTE: All openings in the floor or wall behind and below the appliance shall be sealed.



ADDITIONAL CLEARANCES:

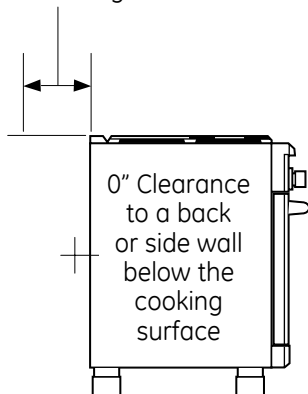
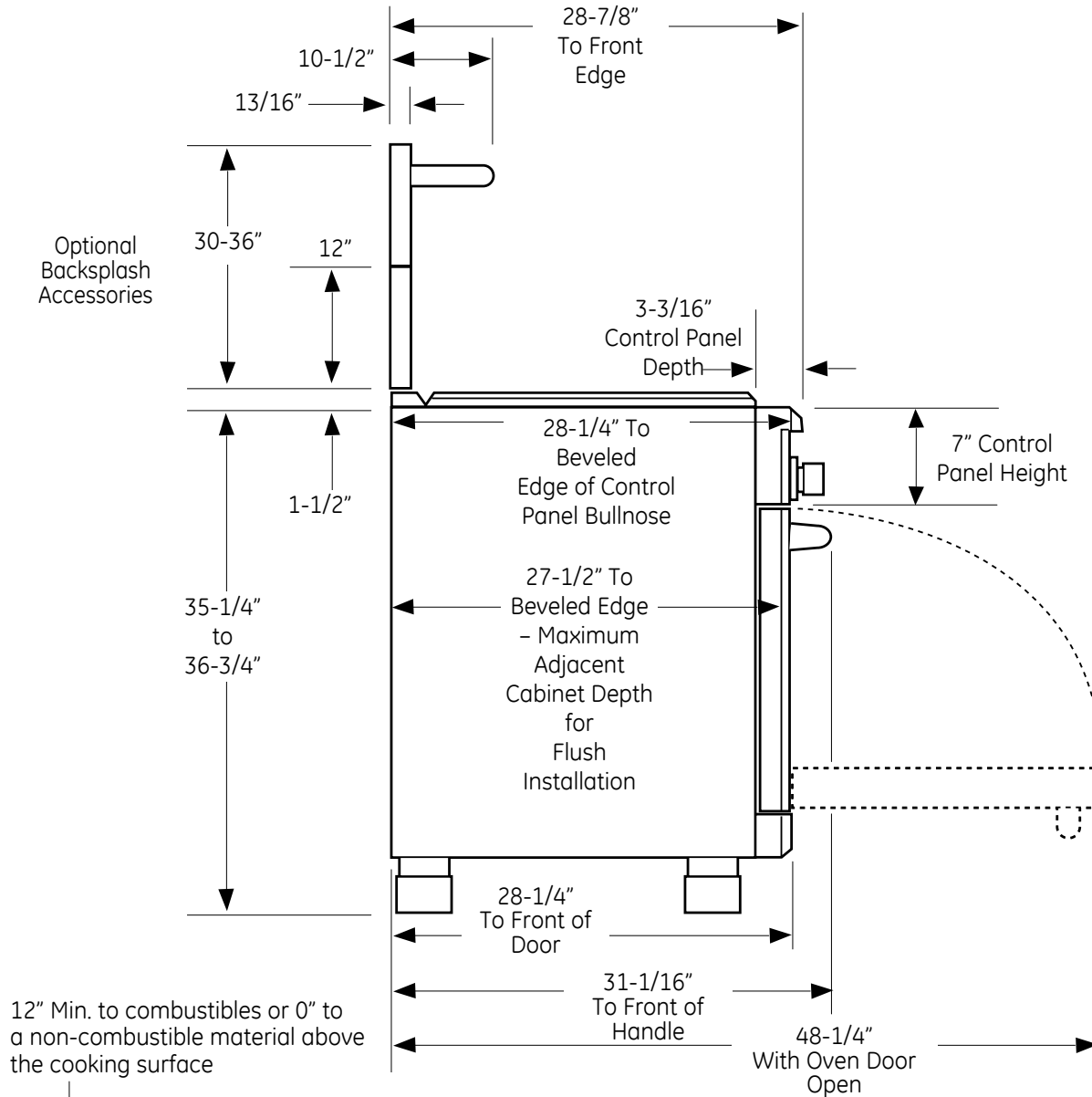
Allow 12" minimum clearance to an adjacent wall on each side.

Working areas adjacent to the rangetop should have 18" minimum clearance between countertop and the bottom of the wall cabinet.

Design Information

PRODUCT DIMENSIONS AND CLEARANCES

48", 36" and 30" Range Models



⚠ WARNING

The 12" high stainless steel backsplash accessory must be installed in combination with a custom non-combustible backsplash. The finished backsplash must cover the entire back wall up to the bottom of a hood, or when there is no hood, 48" to combustibles.

Installation Information

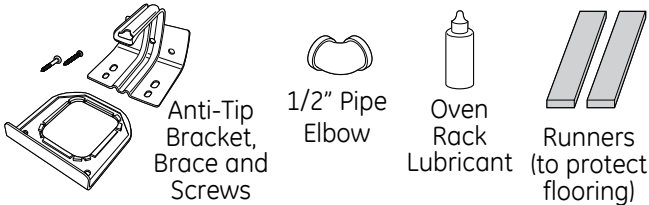
WB28K10553 HIGH ALTITUDE KIT

For operation above 6,000 feet, order WB28K10553 Conversion Kit. This kit includes orifices for both LP and Natural gas operation.

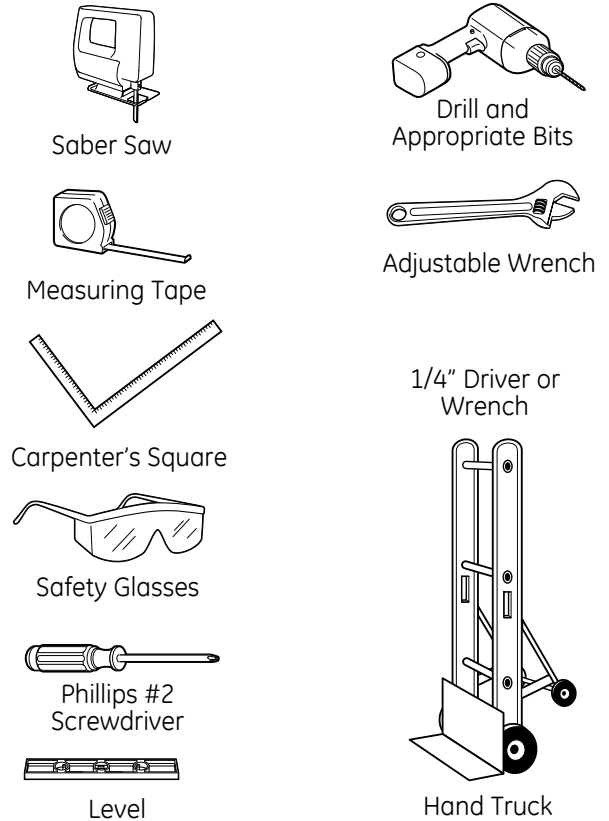
WB28K10554 DE-RATE KIT

(For a small kitchen environment.)
De-rate conversion kit for use with model ZGP304N (natural gas only). This kit includes orifices to reduce surface burner output to 40,800 BTU's.

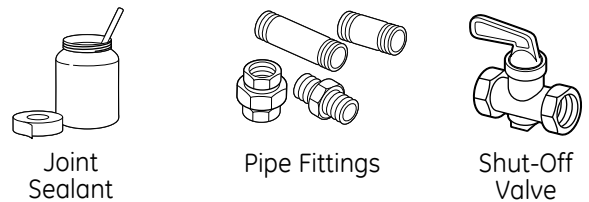
MATERIALS PROVIDED



TOOLS REQUIRED



MATERIALS REQUIRED (not provided)



5-foot maximum length, 5/8" O.D. CSA-approved flexible metal gas supply
(3-foot maximum length in Massachusetts only)

NOTE: Purchase new flexible line; do not use previously used flexible gas line.

Installation Preparation

POWER SUPPLY LOCATIONS

Gas Supply:

- The natural gas models are designed to operate at 5" water column pressure. For proper operation, the pressure of the natural gas supplied to the regulator must be between 7" and 13" water column.
- The LP models are designed to operate at 10" water column pressure. For proper operation, the pressure of the LP gas supplied to the regulator must be between 11" and 13" water column.
- Locate the pipe stub on the back wall or floor as illustrated in "Dimensions and Clearances." Use 5-foot maximum length, 5/8" O.D. flexible gas supply line (3-foot in Massachusetts).

Electric Supply:

Your range must be electrically grounded in accordance with local codes, in accordance with *National Electrical Code (ANSI/NFPA 70, latest edition)*. In Canada, electrical grounding must be in accordance with the current *CSA C22.1 Canadian Electrical Code Part 1*. See *Electrical Connections* in this section.

▲ CAUTION

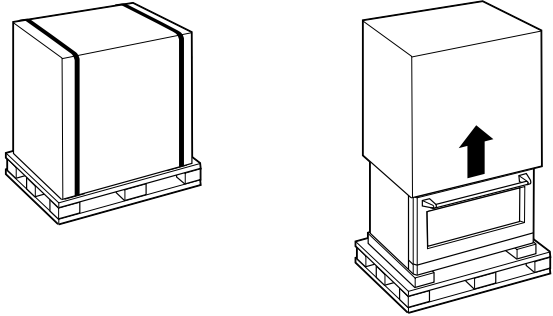
Do not attempt to operate the oven if this range of this range during a power failure.

Installation

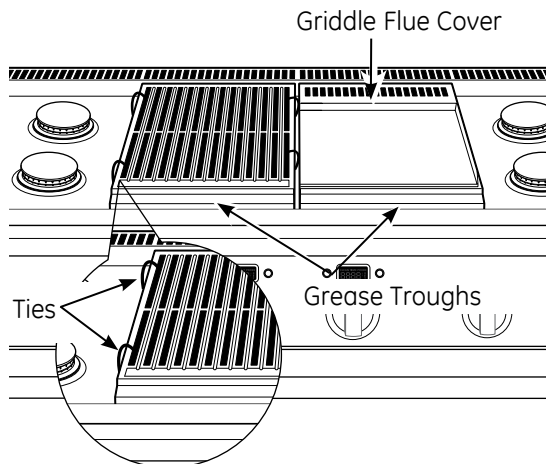
STEP 1 REMOVE PACKAGING

⚠ CAUTION

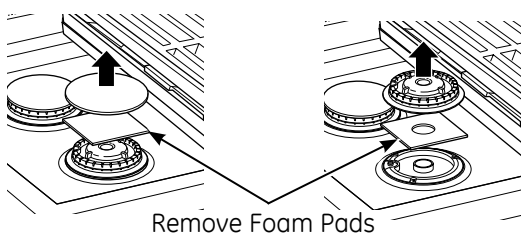
Stand clear. The ends of the cut metal banding may snap toward you.



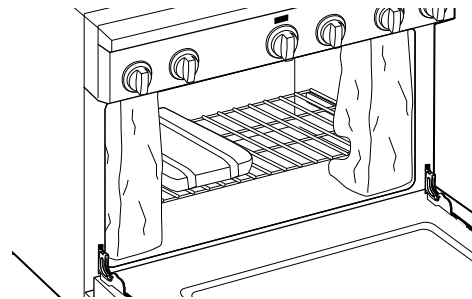
- Cut the metal banding. Lift the carton straight up.
- Locate the two runner strips from the top of the packaging. These strips will be used to protect the kitchen floor during installation.
- Remove corner posts. Dispose of packaging materials.
- Remove grill/griddle covers, grill grate and burner grates.
- Lift out cast-iron griddle flue cover, grease troughs and pads.
- Cut the ties holding the grill grate to the grill frame.



- Lift off burner caps and remove foam pad, then lift off burner heads and remove foam pad.



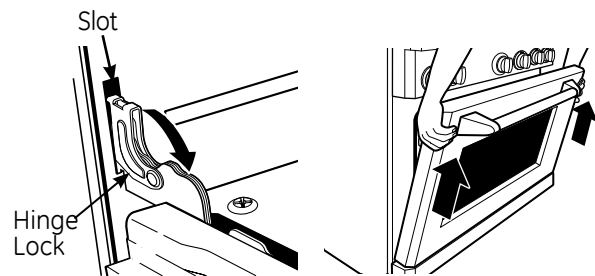
- Open oven door(s) and remove packaging. Remove shelf holding broiler pan, tape, literature package, shelf lubricant and probe.



⚠ CAUTION

Doors and passageways leading to the installation location require at least 32" opening. If the opening is less than 32", the oven door(s) and control knobs must be removed.

REMOVE THE OVEN DOOR(S) ONLY IF NECESSARY to move the range through the doorways. To prevent damage to the sides of the range, it will be necessary to pad the corners beneath the straps on the hand-truck.



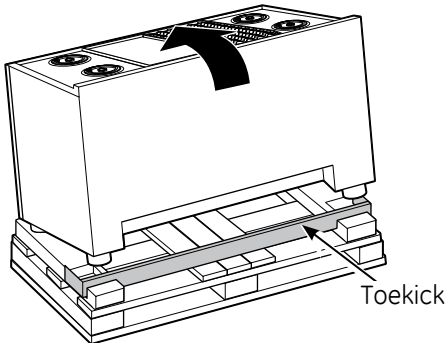
To remove the oven door(s):

- Fully open the door.
- Each hinge has a hinge latch. Close the hinge latch down against the door frame.
- Firmly grasp the door at the top sides.
- Close the door to the near-vertical position.
- Lift the door up and pull straight out.
- Remove the control knobs by pulling them straight out.

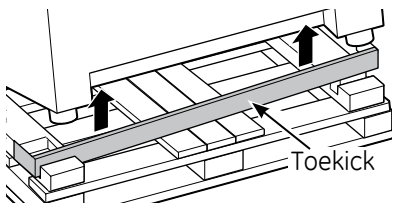
Installation

STEP 2 MOVE THE RANGE INDOORS

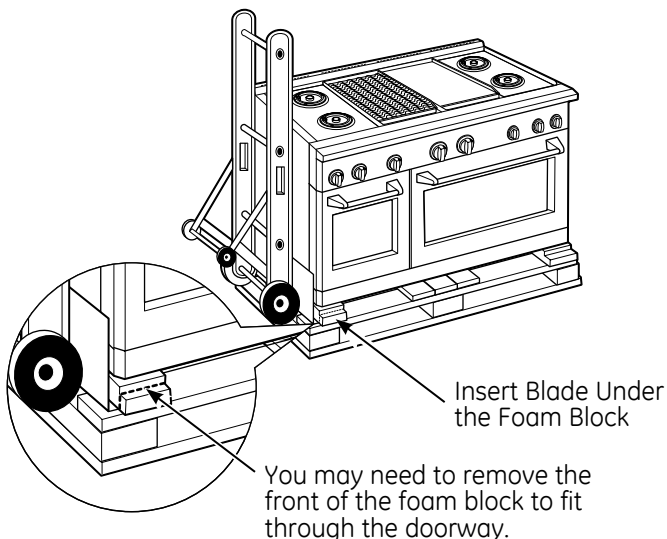
1 Tilt the range forward on the skid.



2 Lift the toekick out of the foam base.



3 Drive the blade of the hand-truck beneath the foam block.

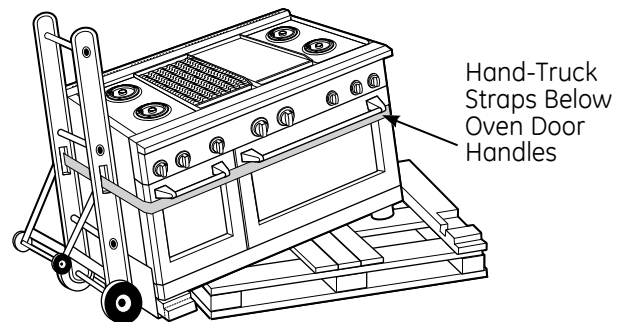


IMPORTANT: Do not remove the base foam block while the hand-truck is in use. Place the hand-truck blade underneath the base foam block and transport the range to the final location.

4 Attach the hand-truck straps around the unit.

IMPORTANT: Place the hand-truck straps below the oven door handles. To avoid damaging the side panels, place a pad between the hand-truck and the range.

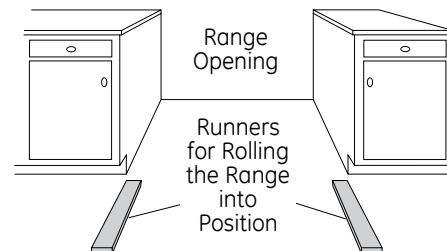
5 Tilt the range to lower the hand-truck wheels off the skid.



6 Place the appliance runners on the floor at the left and right sides in front of the opening.

IMPORTANT: The runners provide a surface for rolling the range into the final position and will protect the floor finish. The runners must be removed before leveling the range.

7 Move the range indoors. Position the range in front of the installation location, onto the runners.



Installation

STEP 3 INSTALL ANTI-TIP DEVICE



! WARNING

- All ranges can tip.
- BURNS or other SERIOUS INJURIES can result.
- INSTALL and CHECK the ANTI-TIP bracket following these instructions.

To reduce the risk of tipping the range, the range must be secured by a properly installed anti-tip bracket. See installation instructions shipped with the bracket for complete details before attempting to install.

To check if the bracket is installed and engaged properly, look underneath the range. The anti-tip bracket should be inserted into the opening on the anti-tip brace on the range. If the bracket arm misses the brace to the left or right, or the bracket arm is not protruding through the brace opening, the bracket must be reinstalled.

If the range is pulled from the wall for any reason, always repeat this procedure to verify the range is properly secured by the anti-tip bracket.

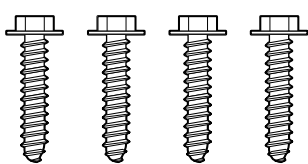
If your range has no anti-tip bracket, call 1.800.626.8774 to receive one at no cost.

If the anti-tip device supplied with the range does not fit this application, use the universal Anti-Tip Device WB2X7909.

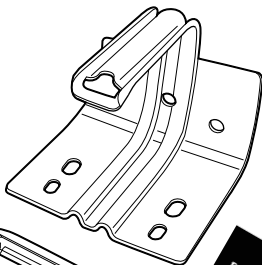
Read the AHAM Anti-Tip Safety Brochure packed with the bracket.

Anti-Tip Parts Provided

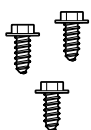
4 Wood Screws



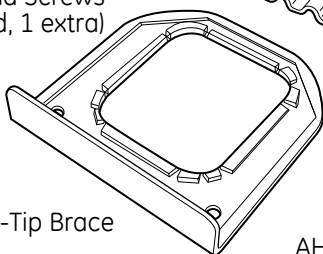
Anti-Tip Bracket



3 Hex Head Screws
(2 required, 1 extra)



Anti-Tip Brace

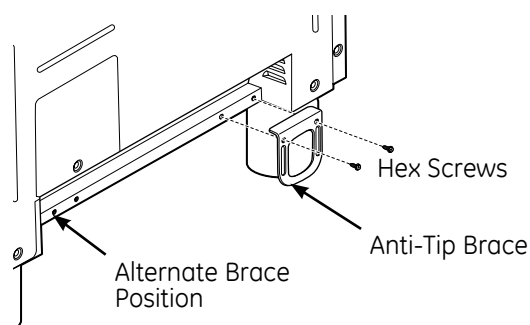


AHAM Anti-Tip Safety Brochure



- Attach the anti-tip brace onto the bottom of the range in the recessed area. Install 2 hex screws (provided) through the brace and into the range.

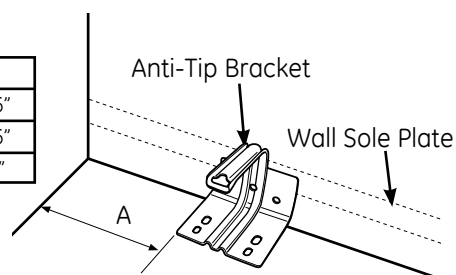
NOTE: This anti-tip device may be installed on the opposite side of the range.



- Measure and mark Dimension A (see table below) from the left (or right) side of the installation location. If the countertop has an overhang, add that dimension to Dimension A.
- Place the anti-tip bracket against the floor and back wall at the marked location. Mark screw holes for fastening the bracket to the wall sole plate and the floor.
- Drill 1/8" pilot holes at a 20° angle.
- Secure the bracket to the wall and/or floor with at least 2 wood screws (provided).

For Concrete or Cement Construction: You must use appropriate fastening hardware (not provided).

Range	A
30"	5-1/16"
36"	5-1/16"
48"	8-1/4"



Installation

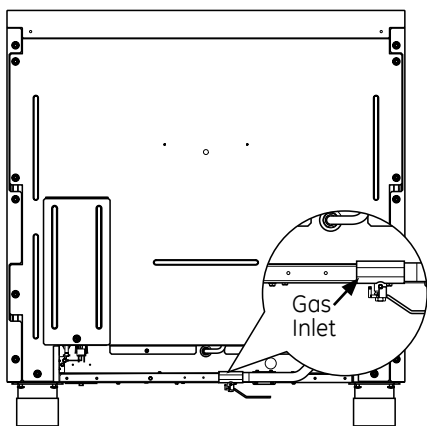
STEP 4 CONNECT RANGE TO GAS

⚠ WARNING

Do not use a flame to check for gas leaks.

Assure that gas supply is turned off at the shut-off valve:

- Apply pipe thread sealant to the gas inlet located at the back of the range. Install the 1/2" pipe elbow (provided) to the gas inlet.
- Connect 5/8" O.D. flexible metal connector to gas inlet. Connect the other end of the flexible connector to the house gas supply.
- Turn on the gas and check for leaks:
 - Use a liquid leak detector at all joints and connections in the system.



IMPORTANT: Disconnect the range and the individual shut-off valve from the gas supply piping system during any pressure testing of that system at test pressures greater than 1/2 psig. Isolate the range from the gas supply piping system by closing the individual manual shut-off valve to the range during any pressure testing of the gas supply piping system at test pressures equal to or less than 1/2 psig.

NOTE: This range is equipped with a gas shut-off valve located on top of the range, beneath the rear vent. This shut-off valve is to be used in the event that service is required in the future.

STEP 5 CONNECT ELECTRICAL

Electrical Requirements

120-volt, 60 Hertz, properly grounded dedicated circuit protected by a 15-amp or 20-amp circuit breaker or time delay fuse.

STEP 5 CONNECT ELECTRICAL (Cont.)

Extension Cord Cautions

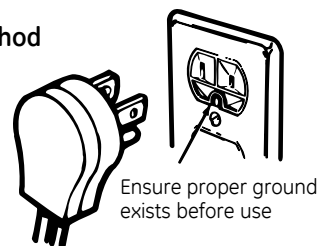
Because of potential safety hazards associated with certain conditions, we strongly recommend against the use of an extension cord. However, if you still elect to use an extension cord, it is absolutely necessary that it be a UL-listed, 3-wire grounding-type appliance extension cord and that the current carrying rating of the cord in amperes be equivalent to, or greater than, the circuit rating.

Grounding

IMPORTANT—(Please read carefully)

FOR PERSONAL SAFETY, THIS APPLIANCE MUST BE PROPERLY GROUNDED.

Preferred Method



The power cord of this appliance is equipped with a three-prong (grounding) plug which mates with a standard three-prong grounding wall receptacle to minimize the possibility of electric shock hazard from this appliance.

The customer should have the wall receptacle and circuit checked by a qualified electrician to make sure the receptacle is properly grounded.

Where a standard two-prong wall receptacle is encountered, it is the personal responsibility and obligation of the customer to have it replaced with a properly grounded three-prong wall receptacle.

DO NOT, UNDER ANY CIRCUMSTANCES, CUT OR REMOVE THE THIRD (GROUND) PRONG FROM THE POWER CORD.

A word about GFCI's – GFCI's are not required or recommended for gas range receptacles.

Ground Fault Circuit Interrupters (GFCI's) are devices that sense leakage of current in a circuit and automatically switch off power when a threshold leakage level is detected. These devices must be manually reset by the consumer. The National Electrical Code requires the use of GFCI's in kitchen receptacles installed to serve countertop surfaces. Performance of the range will not be affected if operated on a GFCI-protected circuit but occasional nuisance tripping of the GFCI breaker is possible.

Installation

STEP 5 CONNECT ELECTRICAL (Cont.)

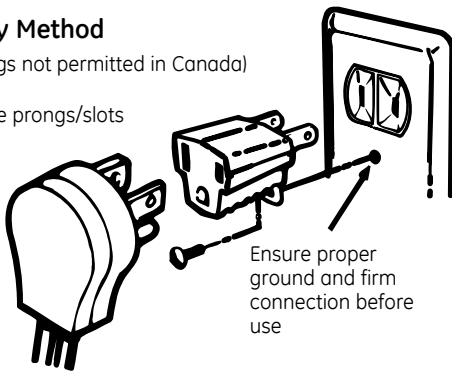
A. Usage Situations where Appliance Power Cord will be Disconnected Infrequently.

An adapter may be used only on a 15-amp circuit. Do not use an adapter on a 20-amp circuit. Where local codes permit, a **TEMPORARY CONNECTION** may be made to a properly grounded two-prong wall receptacle by the use of a UL-listed adapter, available at most hardware stores. The larger slot in the adapter must be aligned with the larger slot in the wall receptacle to provide proper polarity in the connection of the power cord.

Temporary Method

(Adapter plugs not permitted in Canada)

Align large prongs/slots



CAUTION: Attaching the adapter ground terminal to the wall receptacle cover screw does not ground the appliance unless the cover screw is metal, and not insulated, and the wall receptacle is grounded through the house wiring. The customer should have the circuit checked by a qualified electrician to make sure the receptacle is properly grounded.

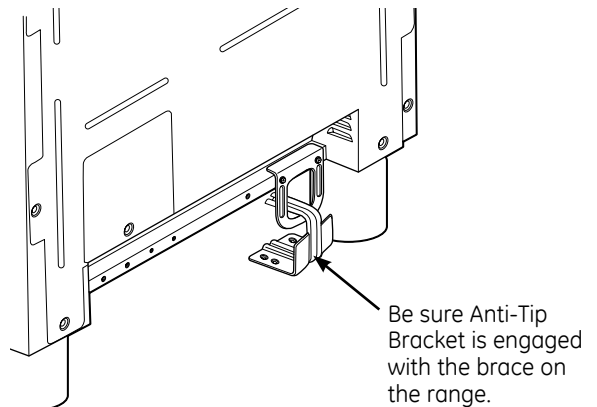
When disconnecting the power cord from the adapter, always hold the adapter with one hand. If this is not done, the adapter ground terminal is very likely to break with repeated use. Should this happen, **DO NOT USE** the appliance until a proper ground has again been established.

STEP 6 ROLL RANGE INTO POSITION

⚠ WARNING

The Anti-Tip Bracket must be properly installed to prevent tipping of the range. Failure to do so can cause serious damage or injury.

- Check to be sure the appliance runners are beneath the wheels.
- The range is shipped with the wheels in the down position. Carefully roll the range into position, being careful not to entangle or pinch the power cord and flexible gas tubing.
- Remove the runners beneath the range.



Installation

STEP 7 LEVEL THE RANGE

⚠ WARNING

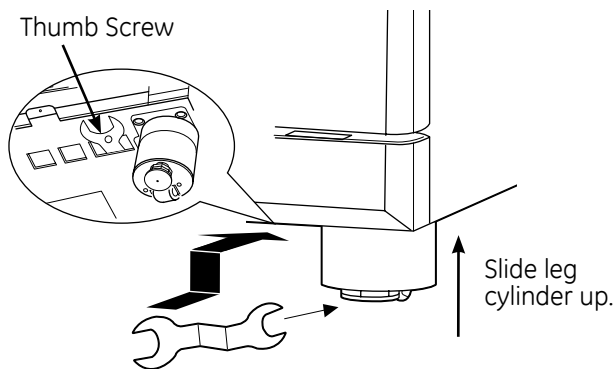
The range must be level and be supported by the legs—not the wheels. The range could move if the wheels make contact with the floor. Be sure all legs make contact with the floor in any installation.

- All legs must be leveled after the product is installed.
- Check to be sure the adjoining cabinets/countertops are level, front to back and left to right across the opening of the range.
- Measure the distance from the floor to the top of the countertop in the left and right rear corners.
- Adjust the height of the range to countertop height or higher.

IMPORTANT: This range should always be installed at countertop height or higher. **DO NOT INSTALL THE RANGE LOWER THAN ADJACENT COUNTERTOP HEIGHT.** The range must be supported by all 4 legs, regardless of countertop height.

FRONT LEG ADJUSTMENT

- Slide front cylinders up to adjust front leveling legs. Be careful not to damage cylinder.
- A leveling leg wrench is supplied. Reach under the front of the range near the right side. Locate and remove a thumb screw, then slide wrench out of the slot.

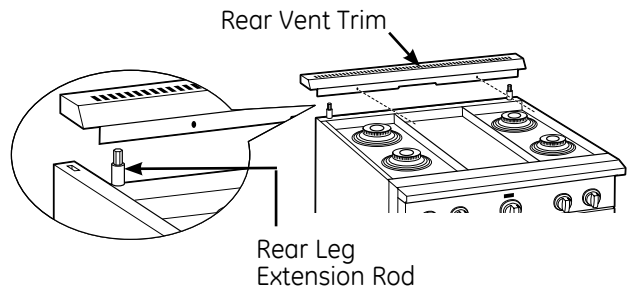


- Use the supplied wrench to turn the front leveling legs. Turn clockwise to raise the range above the wheels. Turn counterclockwise to lower the legs.
- Be sure to return the wrench to its storage slot for future use.

STEP 7 LEVEL THE RANGE (cont.)

REAR LEG ADJUSTMENT

- Remove two screws from rear vent trim. Slide vent trim forward, then lift up to remove.
- Find the two rear leg extension rods. Use a 1/4" driver or wrench to adjust the left or right rear legs.



- Replace the rear vent trim using the original screws.

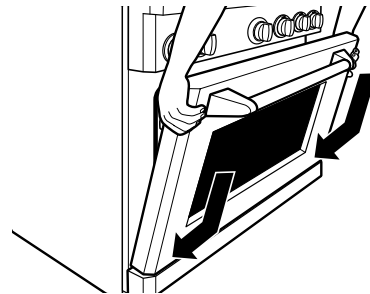
STEP 8 REPLACE OVEN DOOR(S)

Skip this step if oven doors are in place.

IMPORTANT: Do not lift the door by the handle.

To replace the oven doors:

- Firmly grasp the door **at the top sides. This is critical.**
- Approach the range with the door angled in a vertical position.
- Guide the hinges into the slots.
- Push the door in firmly while opening.
- Once in position, open the door completely. Push the hinge locks back in and toward the front frame.

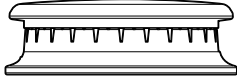


⚠ CAUTION: Take care when replacing the oven doors. If the hinge latch is not securely locked, the hinge may snap back and separate. If the hinge separates, you must apply pressure (possibly with your foot) to press it back together and then engage the hinge latch.

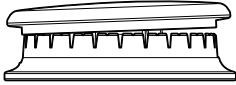
Installation

STEP 9 CHECK BURNERS

Check to be sure that burner heads and caps are securely seated.



Burner Cap Properly Seated



Burner Cap Not Properly Seated

- Check for proper ignition:
 - Push in one control knob and turn to LITE position.
 - The igniter will spark and the burner will light; the igniter will cease sparking when the burner is lit.
 - First test may require some time, while air is flushed out of the gas line.
 - Turn knob to OFF.
 - Repeat the procedure for each burner.

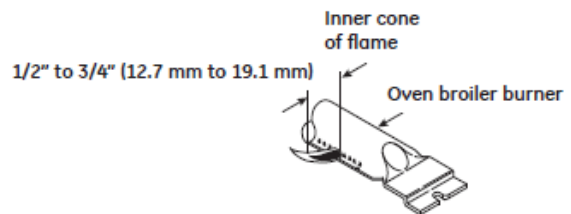
IMPORTANT: If the igniter electrodes continue to spark after the burners are lit, check that each burner component is assembled properly. Refer to the Owner's Manual.

- Burner flames should be blue and stable with no yellow tips, excessive noise or lifting of the flame from the burner. If any of these conditions exist, check that the burner ports are not blocked. If one of these conditions continues, call for service.

STEP 10 CHECK OPERATION OF OVEN BAKE BURNERS

- A. Remove the oven bottom and diffuser (refer to sections 6A & B of the conversion installation instructions, page 24).
- B. To operate the **Bake** burner, turn the Oven Mode Selector knob to Bake and turn the Oven Temperature Knob to 350. After 30 to 90 seconds, the burner will ignite.

Flames should be steady, approximately 1" blue cones and, if range is supplied with natural gas, should burn with no yellow tips. With most LP gas, small yellow tips at the end of the outer gas cones are normal. The inner cone of the flame should be 1/2" to 3/4" long for either gas.



- C. Perform the same check on the companion oven if present.

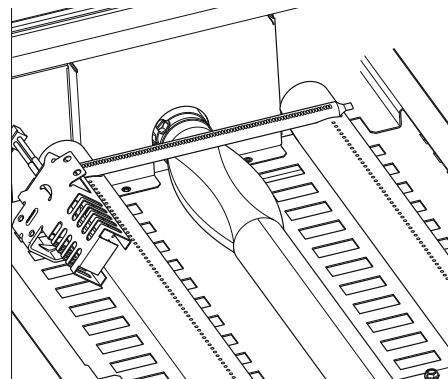
STEP 11 ADJUSTING THE BAKE BURNER AT SHUTTER (If necessary)

To adjust the shutter:

1. If the flames are yellow, open the air shutter more than the original setting.
2. If the flames blow away or flutter from the burner, close the air shutter more than the original setting.

The air shutter for the bake burner is accessible by removing the burner.

- A. Using a screwdriver, loosen the air shutter adjustment screw.



Installation

STEP 11 ADJUSTING THE BAKE BURNER AT SHUTTER (Cont.)

- B. Make the air shutter adjustment.
- C. Retighten the air shutter screw.
- D. Check that the inner cone of the flame is between 1/2" and 3/4" (12.7 mm and 19.1 mm) long.

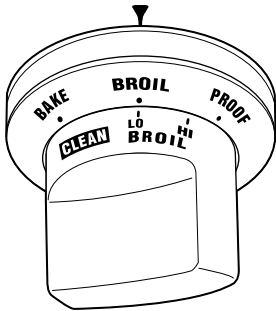
After confirming correct burner operation, replace all parts.

STEP 12 CHECK OPERATION OF OVEN BROIL BURNER

The broil burner must be on and warmed up for 3 min. prior to checking operation.

1. To operate the **Broil** burner, turn the Oven Mode Selector knob to **Broil** and turn the Oven Temperature Knob to **Broil Hi**. After 30 to 90 seconds, the burner will ignite.

There should be an even blanket of flame covering the entire surface of the screen that is blue and barely visible, approximately 1/4" long. After approximately 3 min., the screen area should begin to glow orange.



2. Perform the same check on the companion oven if present.

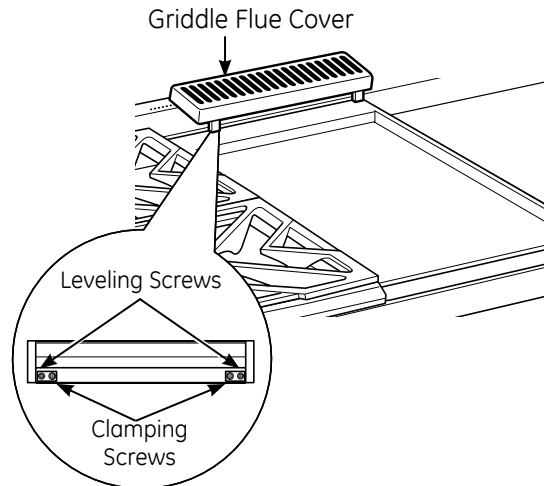
If the flame is long and lazy, verify the proper orifice is installed and the regulator is converted properly for your gas supply.

FINALIZE INSTALLATION

Place the burner grates over the burners. The grates should be seated and should not rock.

The griddle is secured with screws. It is designed to be stationary and should not be removed.

The griddle has two leveling screws beneath the rear flue cover that can be used to adjust to the desired slope.



The two inner screws are clamping screws for securing the griddle in place. Loosen these two screws before leveling. Do not remove these two screws.

The two outer screws are leveling screws. Do not remove these two screws. They can be turned to level the griddle or to provide a forward slope to help grease and oils drain away from the food being cooked.

After leveling the griddle, hand-tighten the clamping screws; do not over-tighten.

INSTALLATION CHECKLIST

- Make sure all controls are left in the OFF position.
- Make sure the flow of combustion and ventilation air to the range is unobstructed.
- **Recheck Steps:**
Double check to make sure everything in this manual has been completed. Rechecking steps will ensure safe use of the range.

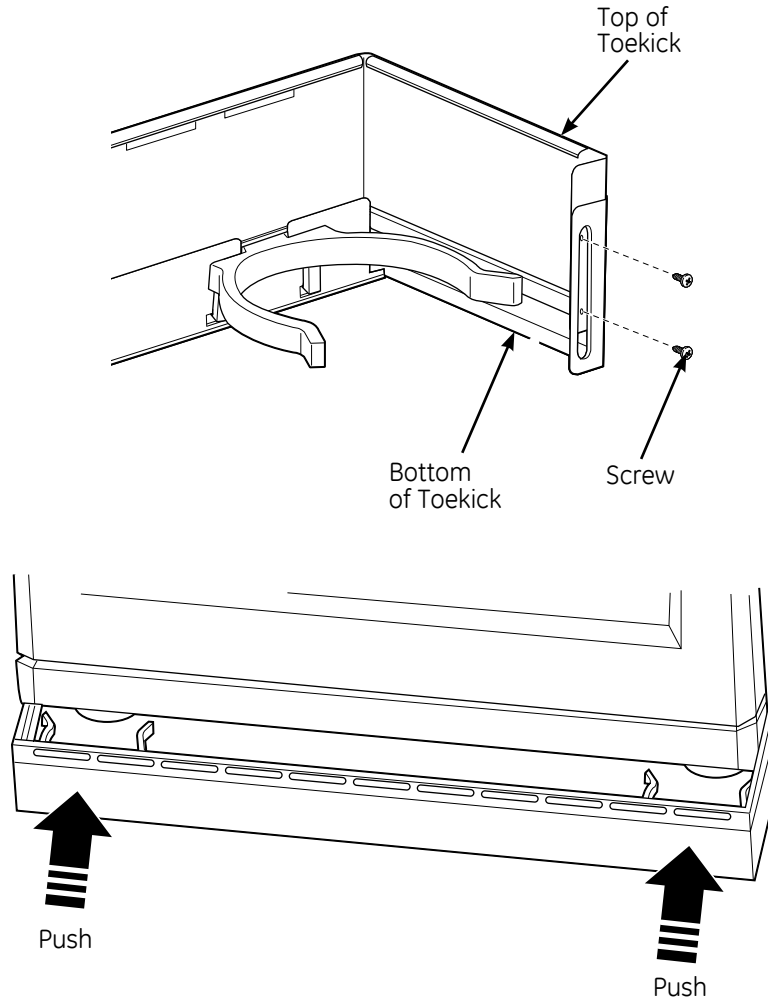
NOTE: The rating plate is located on the bottom of the control panel and is visible when the oven door is opened. The model and serial number is behind the left knob and is visible when the knob is pulled off.

Installation

ACCESSORIES—TOEKICK (provided)

- Install the toekick after the range has been leveled.
- Measure the distance between the floor and the bottom of range.
- Loosen the two screws on each end. Adjust the toekick height by sliding the upper and lower pieces apart to 1/8" less than the measured height.
- Secure the top and bottom sections by tightening the 2 screws on each end.
- Push toekick against range leg until clip snaps to legs.

NOTE: Be sure the toekick snaps securely to the leg.



ZX12B30PSS, ZX12B36PSS, ZX12B48PSS Accessory Installation

OPTIONAL ACCESSORIES—12" HIGH BACKSPLASH

▲ WARNING:

To prevent ignition of combustible materials, the entire back wall above the range must be protected by a backsplash constructed of non-combustible material.

This stainless steel backsplash accessory must be installed in combination with a custom, non-combustible backsplash built beyond the 12" height of the backsplash.



BEFORE YOU BEGIN

Read these instructions completely and carefully.

IMPORTANT: Save these instructions for local inspector's use.

IMPORTANT: OBSERVE ALL GOVERNING CODES AND ORDINANCES.

NOTE TO INSTALLER: Be sure to leave these instructions with the Consumer.

NOTE TO CONSUMER: Keep these instructions with your Owner's Manual for future reference.

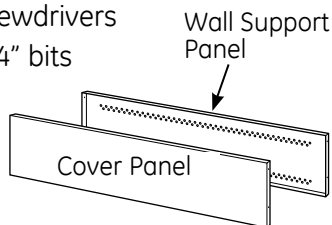
This kit provides for the installation of a 12" high backsplash for 30", 36" or 48" Monogram Professional Ranges and Rangetops.

TOOLS AND MATERIALS REQUIRED

- Gloves to protect against sharp edges
- T-15 and #2 Phillips screwdrivers
- Drill with 3/32" and 9/64" bits
- Safety glasses
- Level
- Pencil

This Kit Includes

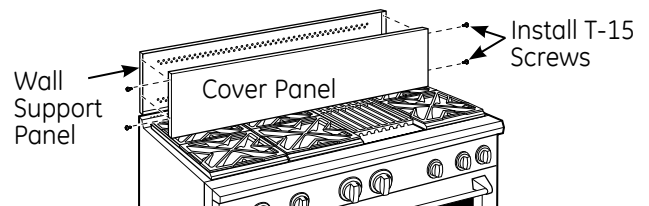
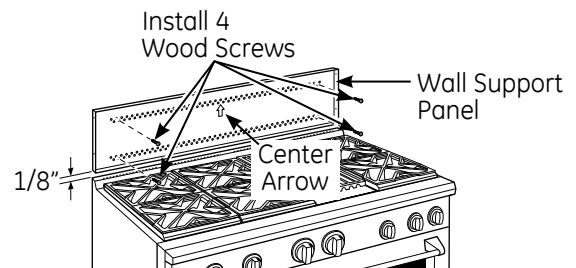
- Wall support panel
- Cover panel
- Hardware package with
 - 5 Stainless Steel Torx 15 #8 self-tapping screws
 - 5 Phillips #2 pan head wood #10 screws



INSTALL 12" BACKSPLASH

▲ **WARNING:** This backsplash must be securely fastened to the wall. Failure to do so could result in damage or personal injury.

- Install and level the range or rangetop and the range hood according to the installation instructions.
- Remove the backsplash packaging and protective film.
- Use a level to pencil a horizontal line on the wall, 1/8" above the range or rangetop. The 1/8" gap allows the cover panel to overlap the wall support panel.
- Locate wall studs on each side. Where studs are not available, plan to use wall anchors (not provided).
- Align the wall support panel on the marked horizontal line and centered left to right.
- The wall support panel must be secured to the wall at all 4 corners. Use wood screws (provided) or wall anchors (not provided) to secure the support panel to the wall.
- Place the cover panel over the wall support panel and secure with Torx screws (provided). Install 2 screws on each side.



ZXADJB30PSS, ZXADJB36PSS, ZXADJB48PSS Accessory Installation

ACCESSORIES—30" TO 36" ADJUSTABLE BACKSPLASH (not included)

⚠ WARNING:

To prevent ignition of combustible materials, the entire back wall above the range must be protected by a backsplash constructed of non-combustible material.



BEFORE YOU BEGIN

Read these instructions completely and carefully.

IMPORTANT: Save these instructions for local inspector's use.

IMPORTANT: OBSERVE ALL GOVERNING CODES AND ORDINANCES.

NOTE TO INSTALLER: Be sure to leave these instructions with the Consumer.

NOTE TO CONSUMER: Keep these instructions with your Owner's Manual for future reference.

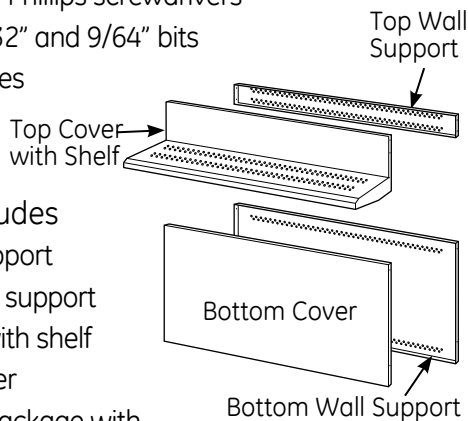
- This backsplash adjusts to fit the space between the top of the range and the bottom of the hood, from 30" Min. to 36" Max. height.
- Maximum shelf load-bearing weight is 40 lbs.

TOOLS AND MATERIALS REQUIRED

- Gloves to protect against sharp edges
- T-15 and #2 Phillips screwdrivers
- Drill with 3/32" and 9/64" bits
- Safety glasses
- Level
- Pencil

This Kit Includes

- Top wall support
- Bottom wall support
- Top cover with shelf
- Bottom cover
- Hardware package with
 - 9 Stainless Steel Torx 15 #8 self-tapping screws
 - 9 Phillips #2 pan head wood #10 screws
 - 3 Stainless Steel #2 truss head #10 screws (for alternate installation method)



Hardware Package

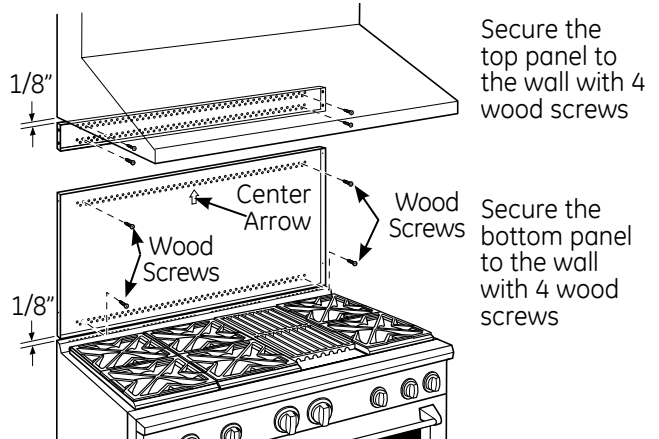
INSTALL THE WALL SUPPORT PANELS

⚠ WARNING: The wall support panels must be securely fastened to the wall. Failure to do so could result in damage or personal injury.

IMPORTANT: This backsplash is designed to cover the wall between the bottom of the hood and the top of the range. The vent hood should be installed over the rangetop or range before installing this backsplash.

- Install and level the Range/Rangetop according to the product installation instructions.
- Remove backsplash packaging and protective film.
- Locate wall studs on each side. Where studs are not available, plan to use wall anchors (not provided).
- Use a level to pencil 2 horizontal lines on the wall, one 1/8" below the vent hood and the other 1/8" above the Range/Rangetop. This 1/8" space allows the cover panels to overlap the wall supports.
- Secure the top wall support panel to the wall with 4 wood screws, through the outermost studs.
- Use 4 wood screws to secure the bottom wall support panel. The center slot should be positioned at the top.

The gap between the top and bottom support panels will be covered by the top cover with shelf.



Secure the top panel to the wall with 4 wood screws

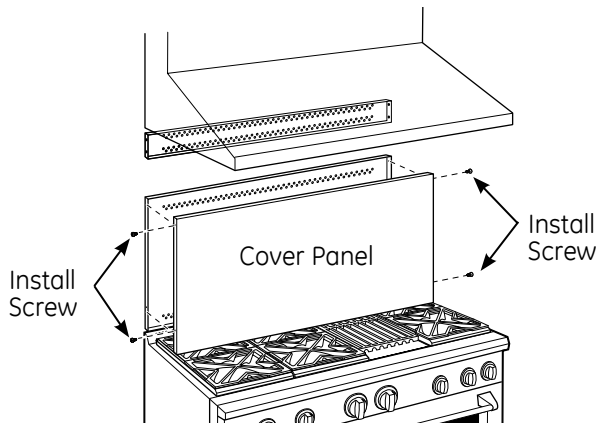
Secure the bottom panel to the wall with 4 wood screws

ZXADJB30PSS, ZXADJB36PSS, ZXADJB48PSS Accessory Installation

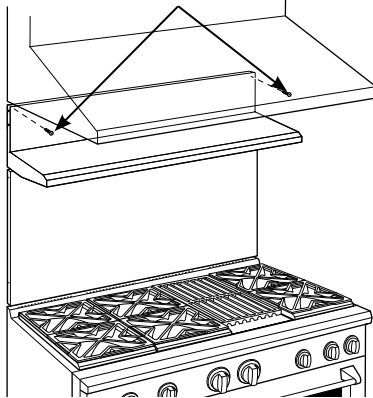
INSTALL COVER PANELS

See alternate method if side access is blocked.

- Hold the bottom cover over the bottom support while driving one screw (provided) into each side.
- Place the top cover with shelf over the top wall support. If you have access to the sides, secure the panel with two screws on each side.
- Secure the top cover with shelf to the top support with screws through the front of the panel, at the top corners. Use one screw on each side.



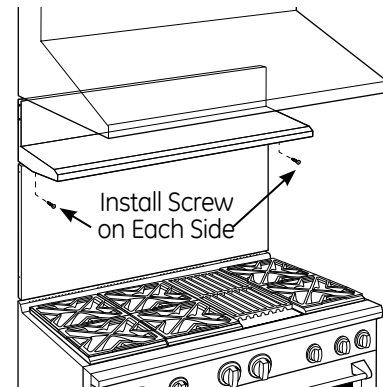
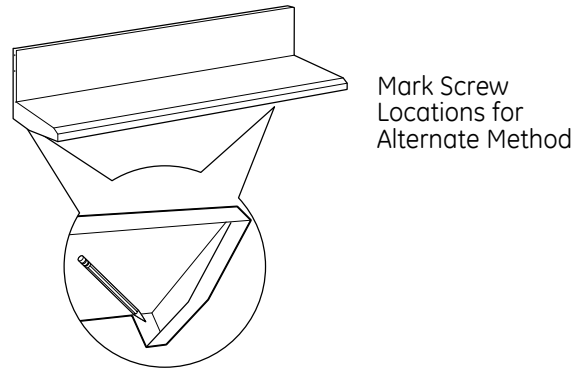
Install Corner Screws



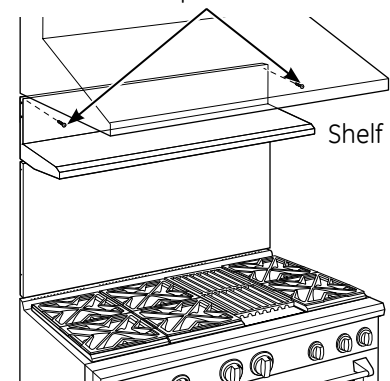
INSTALL COVER PANELS (cont.)

ALTERNATE METHOD: When side access is blocked

- Install bottom cover over the bottom support while driving one screw into each side.
- Hold top cover in place while marking screw locations, just below shelf support and onto bottom cover.
- Remove the shelf and drill a 9/64" diameter hole in the pencil-marked locations.
- Mount the top cover over the top support and secure the front cover with screws through the drilled holes on each side.
- Install screws through each top corner.



Install Screw in Top Corner on Each Side



Installation Instructions

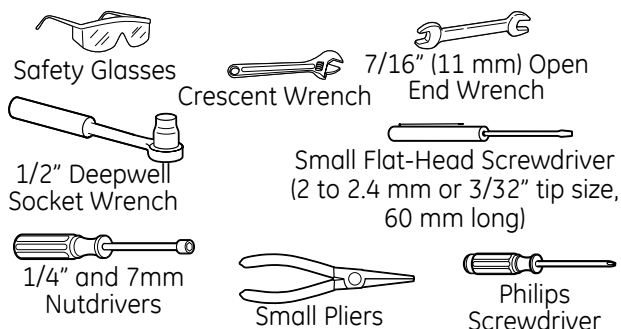
Convert Natural Gas to LP Gas Operation Convert LP Gas to Natural Gas Operation

⚠ WARNING: This conversion must be performed by a qualified installer or gas supplier in accordance with the manufacturer's instructions and all codes and requirements of the authority having jurisdiction. Failure to follow instructions could result in serious injury or property damage. The qualified agency performing this work assumes responsibility for the conversion.

⚠ WARNING: The rangetop, as shipped from the factory, is set for use with its intended gas. If you wish to use your rangetop with the alternate gas, you must first replace the orifices and convert the pressure regulator.

⚠ WARNING: The following adjustments must be made before turning on the burner. Failure to do so could result in serious injury. Be sure pressure regulator has been converted as described in Step 2.

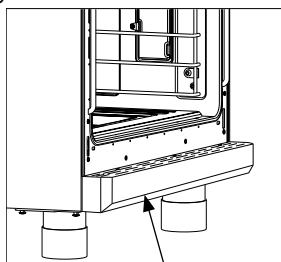
TOOLS YOU NEEDED FOR CONVERSION



1 ORIFICE HOLDER

The range orifice holder is located behind the front access panel at the bottom of the range. Remove the door(s) (See instructions on page 10) and the screws on the top and bottom of the front access panel. Remove the front access panel to access the orifice holder.

Additional orifices may be present. Use only the orifices specified in the instructions for your range or rangetop.

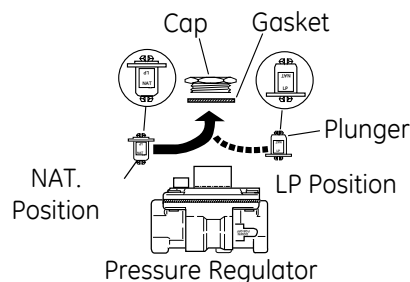


Front Access Cover

2 CONVERT THE REGULATOR(S)

Disconnect all electrical power at the main circuit breaker or fuse box.

- Shut off the gas supply by closing the manual shut-off valve on the unit or by the wall.
- Move the range out in order to access the rear of the unit.
- Remove the range back to access the regulator(s) - (1) on 30" & 36" ranges and (2) on 48" ranges.
- Convert the pressure regulator(s):
 - Unscrew the cap with plunger.
 - Place your thumb against flat side of the plunger and press down to snap the plunger out of the cap.
 - Carefully look at the plunger to locate the NAT or LP position.
 - Turn the plunger over so that the desired gas is showing near the bottom.
 - Snap the plunger back into the cap.
 - Screw the cap back onto the regulator.



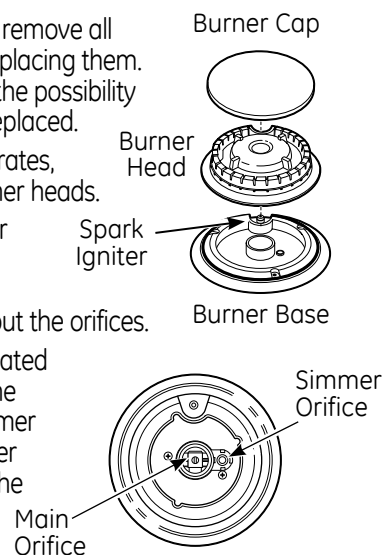
- Reverse these steps to reassemble the pressure regulator.

3 CHANGE BURNER ORIFICES

INSTALLATION TIP: First remove all orifices and then start replacing them. This will help to prevent the possibility that some may not be replaced.

- Remove the burner grates, burner caps and burner heads.
- Loosen the top burner orifices using a 7 mm nut driver. Use small pliers to carefully lift out the orifices.

The main orifice is located low in the center of the burner, while the simmer orifice is located higher beside the center of the burner.

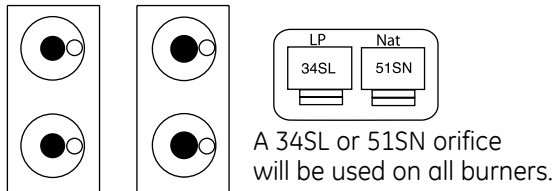


Installation Instructions for Gas Conversion

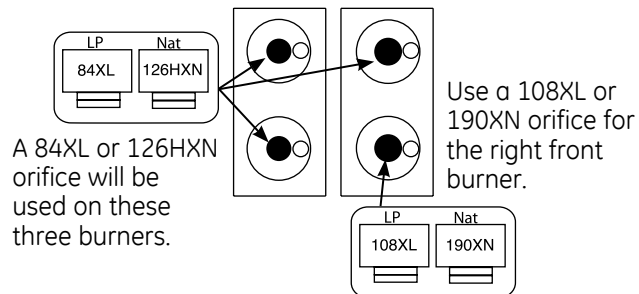
3 CHANGE BURNER ORIFICES (cont.)

IMPORTANT: Find your model number below. Read each orifice label to identify and install them in the exact locations shown.

ZGP304 SIMMER ORIFICES

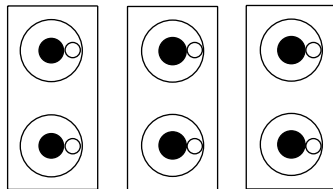
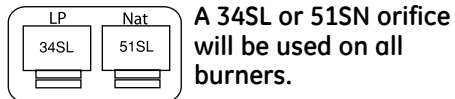


ZGP304 MAIN ORIFICES



ZGP364, ZGP366, ZGP484, ZGP486

SIMMER ORIFICES



MAIN ORIFICES



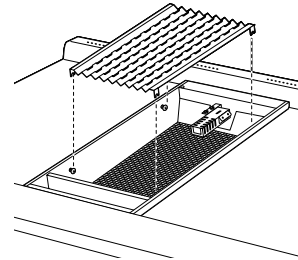
- Return the unused orifices to the holder. Reattach the holder and the instruction sheet with screw in the original storage location.
- Replace the burner heads, caps and top grates. On range models, replace rear vent trim.

4 CHANGE GRILL ORIFICE (if present)

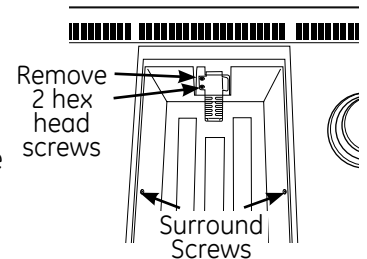
Locate the 1-1/2" long Grill orifice. Select the proper orifice size for your gas and burner from the conversion chart.



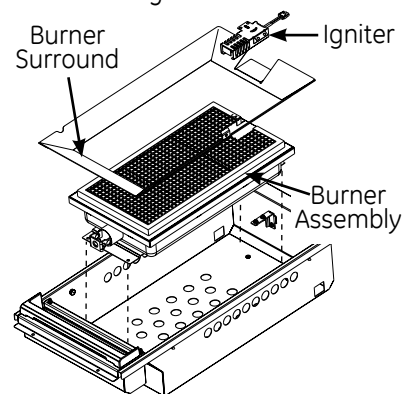
- Remove the grill cover, grates and grate frame. Lift the radiant baffle straight up and off.



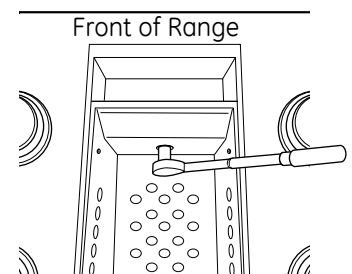
- Remove the 2 hex head screws from the top of the igniter.
 - Remove one screw from each side of the burner surround.
 - Lift out the surround.



- Carefully push the igniter aside and under the burner. Do not pull or pinch the wire. Remove 4 burner attachment screws, 2 at the front and 2 at the back. Slide the burner assembly toward the back and out of the gas inlet.



- Use a 1/2" deep well socket to remove and replace the orifice. Reverse these steps to re-assemble the grill. Be sure to place the unused orifice in the holder for possible future use.



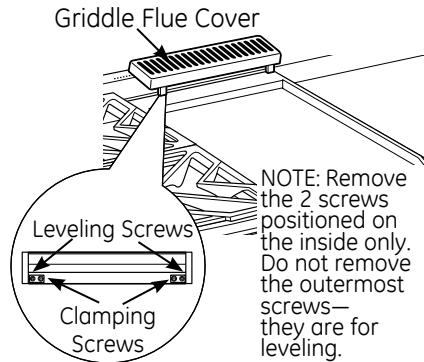
Installation Instructions for Gas Conversion

5 CHANGE GRIDDLE ORIFICE (if present)

Locate the 3/4" long griddle orifice.
Select the proper orifice size for your gas and burner from the conversion chart.

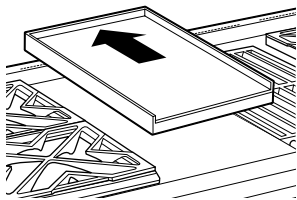


- A. Lift off the griddle flue cover. Remove the 2 inside clamping screws.

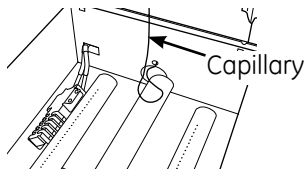


NOTE: Remove the 2 screws positioned on the inside only. Do not remove the outermost screws—they are for leveling.

- B. Lift out the cast-iron grease trough. Slide the griddle toward the rear and out of the hold-down tabs along the bottom.



- C. Carefully lift and hold the griddle while pulling additional length of the capillary from the entry hole. Stand the griddle on end in the grease sump.



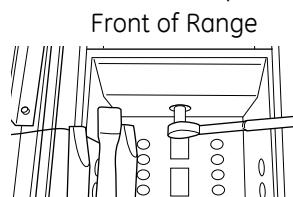
- D. Remove the 2 hold-down screws at the rear of the burner.

Pull the burner straight back toward the rear and out of the gas inlet.



- E. Use a 1/2" deepwell socket to remove and replace the orifice.

Reverse these steps to reassemble the griddle. Push excess capillary back into the entry hole. Place the unused orifice in the holder for possible future use.

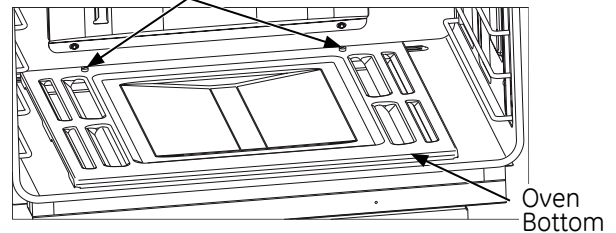


6A CHANGE MAIN BAKE BURNER ORIFICE

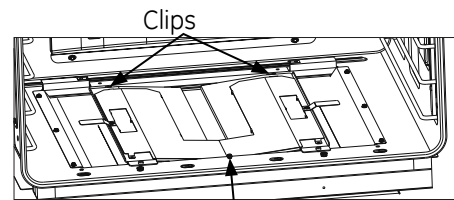
Locate the 3/4" long bake burner orifice.
Select the proper orifice size for your gas and burner from the conversion chart.

- A. Remove the oven door and set aside in a safe location.
B. Remove the 2 oven bottom hold-down screws from the rear of the cover.

Hold-Down Screws

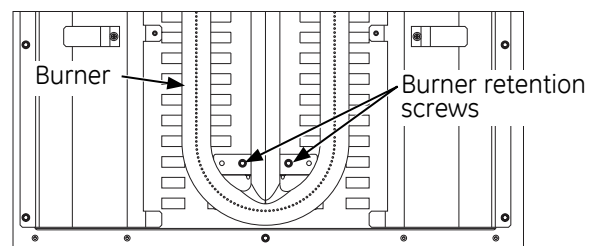


- C. Slide the oven bottom forward and set aside.
D. Remove the burner diffuser screw.



Diffuser screw

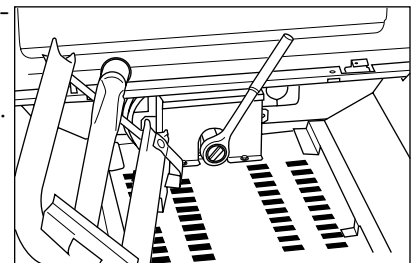
- E. Lift the front of the burner diffuser up slightly and slide it forward to disengage the clips at the rear. Set the burner diffuser aside.



- F. Remove the 2 burner retention screws.
G. Lift the front of the burner up slightly and slide forward setting aside (careful not to damage the igniter).

- H. Use a 1/2" deepwell socket to remove and replace the orifice.

- I. Reverse these steps to reassemble the griddle. Push excess capillary back into the entry hole. Place the unused orifice in the holder for possible future use.



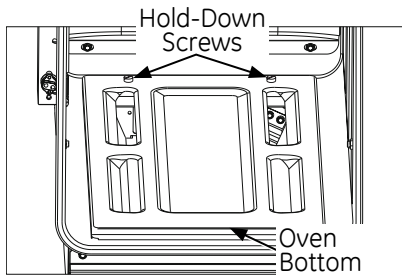
Installation Instructions for Gas Conversion

6B CHANGE COMPANION BAKE BURNER ORIFICE (if present)

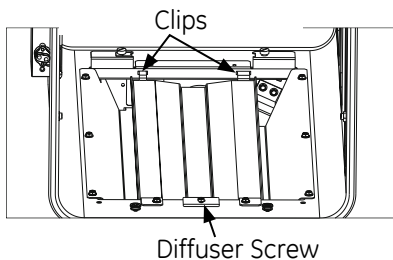
Locate the 3/4" long bake burner orifice.

Select the proper orifice size for your gas and burner from the conversion chart.

- A. Remove the oven door and set aside in a safe location.
- B. Remove the 2 oven bottom hold-down screws from the rear of the cover.



- C. Slide the oven bottom forward and set aside.
- D. Remove the burner diffuser screw.



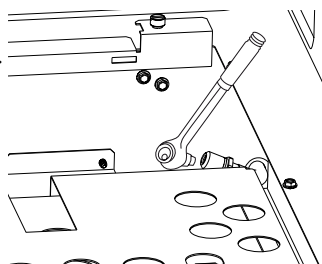
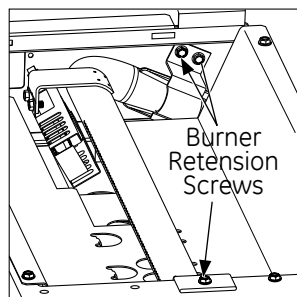
- E. Lift the front of the burner diffuser up slightly and slide it forward to disengage the clips at the rear. Set the burner diffuser aside.

- F. Remove the 3 burner retention screws (1 in front and 2 at the rear)

- G. Lift the front of the burner up slightly and slide leftward to remove.

- H. Use a 1/2" deepwell socket to remove and replace the orifice.

- I. Reverse these steps to reassemble the griddle. Push excess capillary back into the entry hole. Place the unused orifice in the holder for possible future use.



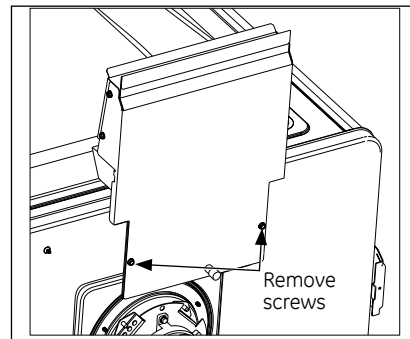
7 CHANGE MAIN/COMPANION BROIL BURNER ORIFICE

Locate the broil burner orifice.

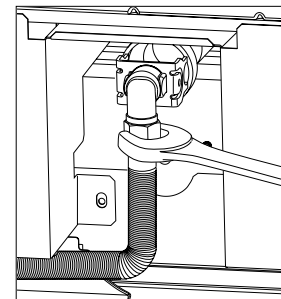
Select the proper orifice size for your gas and burner from the conversion chart.

The rear cover should still be removed from converting the regulator(s). Refer to section 2 for details if it is not.

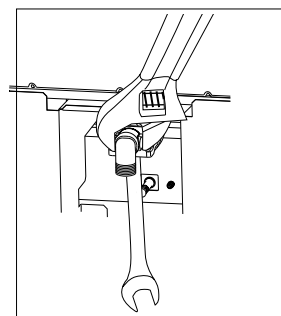
- A. Remove the 2 broil duct cover retention screw. Lift up and slide out to remove.



- B. Loosen and remove the broil supply tube nut from the broil orifice holder.



- C. Using an adjustable wrench and a 7/16" (11 mm) box end wrench to loosen and remove and replace the broil orifice.



- D. Reverse these steps to reassemble the griddle. Push excess capillary back into the entry hole. Place the unused orifice in the holder for possible future use.

Installation Instructions for Gas Conversion

8 ADJUST BURNER FLAMES

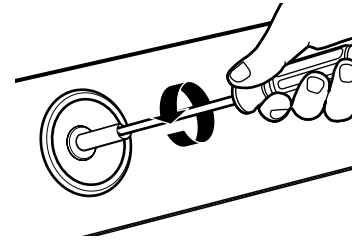
Normally, burners do not need further adjustment. Make adjustments only when necessary.

- A. Turn on the gas. Plug in electrical cord.
- B. Turn all burners on highest setting and check the flames. They should be blue in color. When using LP gas, the flames may have some yellow tipping at the ends of the flame. Foreign particles in the gas line may cause an orange flame at first, but this will soon disappear.
- C. Turn the burner knob to "LO" while observing the flame.

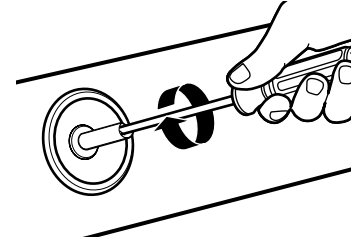
Adjust the setting of the upper row of flames using the valve bypass screw as follows:

Adjustments must be made with two other burners in operation on a medium setting. This prevents the upper row of flames from being set too low, resulting in the flame being extinguished when other burners are turned on.

- D. To adjust the flame, remove the knobs. Insert a small flat-blade screwdriver into the hole in the center of the valve stem to engage screw.



- If the flames are too small or flutter, turn the screw counterclockwise.



- If the flames are too large, turn the screw clockwise.
- E. Make the adjustment by slowly turning the screw until flame appearance is correct.

BURNER OUTPUT RATINGS: BTU/HR

NG (Natural) Gas, 5" W.C.P.				
MODEL	BURNER	BTU RATE	ORIFICE SIZE	ID
ZGP48 ZGP36	ALL SURF. Main BURNERS Simmer	16,800 1,200	0.075" (1.90mm) 0.002" (0.51mm)	190XN 51SL
ZGP304	RF BURNER Main Simmer	16,800 1,200	0.075" (1.90mm) 0.002" (0.51mm)	190XN 51SN
ZGP304	RR, LR, LF Main Simmer	8,800 1,200	0.050" (1.26mm) 0.002" (0.51mm)	126HXN 51SN
ALL	GRILL	15,000	0.0689" (1.75mm)	0.069
ALL	GRIDDLE	18,000	0.076" (1.93mm)	0.076
ZGP48/ ZGP36	BAKE MAIN	24,500	0.0886" (2.25mm)	0.089
ZGP30	BAKE MAIN	23,500	0.0866" (2.20mm)	0.087
ZGP48	BAKE COMPANION	10,500	0.0531" (1.35mm)	0.053
ALL	BROIL MAIN	12,500	0.063" (1.60mm)	160
ZGP48	BROIL COMPANION	9,000	0.052" (1.32mm)	132

LP (Propane) Gas, 10" W.C.P.				
MODEL	BURNER	BTU RATE	ORIFICE SIZE	ID
ZGP48 ZGP36	ALL SURF. Main BURNERS Simmer	13,800 1,200	0.043" (1.08mm) 0.013" (0.34mm)	108XL 34SL
ZGP304	RF BURNER Main Simmer	13,800 1,200	0.043" (1.08mm) 0.013" (0.34mm)	108XL 34SL
ZGP304	RR, LR, LF Main Simmer	7,900 1,200	0.033" (0.84mm) 0.013" (0.34mm)	84XL 34SL
ALL	GRILL	14,000	0.047" (1.19mm)	0.047
ALL	GRIDDLE	16,000	0.047" (1.19mm)	0.047
ZGP48/ ZGP36	BAKE MAIN	23,000	0.0571" (1.35mm)	0.055
ZGP30	BAKE MAIN	21,500	0.0531" (1.35mm)	0.053
ZGP48	BAKE COMPANION	10,000	0.0374" (0.95mm)	0.037
ALL	BROIL MAIN	11,500	0.041" (1.04mm)	104
ZGP48	BROIL COMPANION	9,000	0.0360" (0.91mm)	91

Once the conversion is complete and checked, fill out the conversion label and affix the label near the rating label. For ranges, place the label beneath the control panel. For rangetops, place the label on the bottom of the unit.

Consignes d'installation

AVANT DE COMMENCER

Lisez attentivement l'ensemble des consignes.

- **IMPORTANT** — Conservez ces consignes, elles peuvent vous être utiles pour toute inspection de votre installation.
- **IMPORTANT** — Respectez toutes les normes ainsi que les recommandations préconisées par les autorités compétentes.
- **Remarque à l'attention de l'installateur** — Après intervention, assurez-vous d'avoir remis ces instructions à l'utilisateur.
- **Remarque à l'attention de l'utilisateur** — Conservez ces instructions avec le manuel de l'utilisateur pour toute consultation ultérieure.
- **Temps d'installation** — 1 à 3 heures.
- Il incombe à l'installateur de veiller à la bonne installation. Toute défaillance du produit due à une installation non conforme ne pourra être couverte par la garantie. Pour tout complément d'information, reportez-vous au manuel de l'utilisateur.

⚠ AVERTISSEMENT :

Cet appareil doit être correctement mis à la terre. Veuillez suivre les directives données à la section «Alimentation électrique» du présent manuel. Le non-respect de ces directives pourrait occasionner un choc électrique.

Pour contacter le service de dépannage Monogram le plus proche de chez vous, veuillez appeler le 1.800.444.1845.

Pour contacter le service de dépannage Monogram du Canada, veuillez appeler le numéro 1.800.561.3344.

Pour contacter le service d'accessoires et de pièces détachées Monogram, veuillez appeler le 1.800.626.2002.

Si vous recevez une cuisinière défectueuse, veuillez contacter votre revendeur.

Dans le Commonwealth of Massachusetts (Communauté du Massachusetts) :

- Ce produit doit être installé par un plombier ou un technicien gaz agréé.
- Si vous utilisez des robinets d'arrêt gaz, ceux-ci doivent être de type 1/4 de tour.
- Si vous utilisez un raccord à gaz flexible, celui-ci ne doit pas mesurer plus de 3 pieds (100 cm).

⚠ AVERTISSEMENT :

Toutes les cuisinières peuvent se renverser au risque de provoquer de graves blessures. Installez le support antibasculement fourni conformément aux instructions figurant dans ce manuel ou à celles fournies avec le support.

Si l'article est vendu à l'extérieur des É.-U. ou du Canada :

⚠ AVERTISSEMENT : Si vous souhaitez utiliser ce produit avec un gaz de pétrole liquéfié (GPL) qui contient plus de 10 % de butane, vous devez acheter un nécessaire de conversion au butane n° WB28K10589. Pour commander, veuillez composer le 1.888.664.8403 ou le 1.787.276.4051. Le non-respect de cette consigne pourrait présenter un risque d'incendie ou d'intoxication au monoxyde de carbone.

Dispositions de hotte d'extraction:

Une hotte d'aspiration appropriée est nécessaire pour les modèles à barbecue et est recommandée pour tous les autres modèles.

- Installez une hotte disposant d'une capacité d'évacuation d'au moins 1200 CFM (pieds cubes par minute ou 35 mètres cubes/m) à une distance de 48" (122 cm) de la table de cuisson.
- Installez une hotte disposant d'une capacité d'évacuation d'au moins 600 CFM (ou 18 mètres cubes/m) au-dessus d'une table de cuisson de type 30" (76 cm) ou 36" (91 cm).

Cet appareil produisant une importante quantité de chaleur, vous devez porter une attention toute particulière à l'installation de la hotte et de la conduite d'aération afin de vous assurer qu'elle répond aux normes de construction en vigueur dans votre région.

⚠ AVERTISSEMENT :

Il faut prévoir les dégagements ci-dessous par rapport aux surfaces horizontales qui se trouvent au-dessus de la cuisinière. Le non-respect de cette consigne pourrait présenter un risque d'incendie.

- Pour les installations dépourvues de hotte, prévoyez un espace minimum de 48" (122 cm) entre l'appareil et tout élément inflammable situé au-dessus de celui-ci.
- Il est possible d'installer une hotte spéciale à proximité d'éléments horizontaux inflammables dans la mesure où celle-ci dispose d'une fonction de mise en marche automatique.
- Pour obtenir les spécifications relatives aux espaces d'autres installations pourvues d'une hotte, veuillez vous reporter aux instructions fournies avec celle-ci.

⚠ ATTENTION : Ces cuisinières pèsent plus de 300 kg. Afin d'éviter tout risque de blessure ou d'endommagement de l'appareil et compte tenu du poids et de la taille de la cuisinière: **DEUX PERSONNES SONT NÉCESSAIRES POUR UNE INSTALLATION ADÉQUATE DES CUISINIÈRES 30" (76 cm) et 36" (91 cm).** **TROIS PERSONNES SONT NÉCESSAIRES POUR UNE INSTALLATION ADÉQUATE DES CUISINIÈRES 48" (121 CM).**

Veuillez vous reporter aux consignes du fabricant pour détecter la présence de fuites.

L'installation doit respecter les normes en vigueur dans votre région. En l'absence de celles-ci, la cuisinière doit être installée suivant la dernière édition du code national pour les appareils au gaz, *ANSI Z223.1/NFPA 54*, et la dernière édition de la norme américaine pour les appareils électriques *ANSI/NFPA 70*. Au Canada, l'installation doit respecter la loi en vigueur spécifiée par la norme canadienne *CAN/CGA-B149.1* pour les appareils au gaz naturel ou la norme *CAN/CGA-B149.2* pour les appareils au propane en vigueur, et ses lois qui entrent dans son domaine d'application. Cette cuisinière a été conçue et certifiée CSA et dans le respect de la dernière édition de la norme *ANSI Z21.1*, ainsi que l'Association canadienne du gaz et dans le respect de la dernière édition de la norme *CAN/CGA-1.1*.

Caractéristiques

TABLE DES MATIÈRES

Caractéristiques

Modèles disponibles.....	28
Accessoires du dossier.....	28
Dimensions du produit et espaces requis	29-32
Outils et matériel requis	33

Préparation de l'installation

Emplacement des alimentations.....	34
------------------------------------	----

Consignes d'installation

Étape 1, Sortez l'appareil de son emballage.....	35
Étape 2, Déplacez la cuisinière à l'intérieur.....	36
Étape 3, Installez le support anti-basculement	37
Étape 4, Raccordez la cuisinière à l'alimentation en gaz.....	38

Étape 5, Branchez la cuisinière à la prise électrique.....	38
Étape 6, Placez la cuisinière dans sa position en la faisant rouler	39
Étape 7, Ajustez le niveau de la cuisinière	40
Étape 8, Réinstallez les portes du four.....	40
Étape 9, Vérifiez les brûleurs.....	41
Étape 10, Vérifiez le fonctionnement des brûleurs de cuisson du four	41
Étape 11, Réglez le brûleur de cuisson depuis le volet d'obturation	41, 42
Étape 12, Vérifiez le fonctionnement du brûleur du gril du four.....	42
Terminez l'installation	42
Liste de vérification pour l'installation	42
Accessoires.....	43
Installation des accessoires	44-46
Conversion de la cuisinière pour le gaz	47-51

MODÈLES DISPONIBLES

Les cuisinières Monogram sont conçues en usine pour fonctionner au gaz naturel ou au gaz propane. Commandez le modèle correspondant à votre installation domestique.

Modèles au gaz naturel 48" (122 cm) :

ZGP484NG – 4 brûleurs à gaz, grill et plaque chauffante
ZGP486NR – 6 brûleurs à gaz et grill
ZGP486ND – 6 brûleurs à gaz et plaque chauffante

Modèles au gaz propane 48" (121 cm) :

ZGP484LG – 4 brûleurs à gaz, grill et plaque chauffante
ZGP486LR – 6 brûleurs à gaz et grill
ZGP486LD – 6 brûleurs à gaz et plaque chauffante

Modèles au gaz naturel 36" (91 cm) :

ZGP366N – 6 brûleurs à gaz
ZGP364NR – 4 brûleurs à gaz et grill
ZGP364ND – 4 brûleurs à gaz et plaque chauffante

Modèles au propane 36" (91 cm) :

ZGP366L – 6 brûleurs à gaz
ZGP364LR – 4 brûleurs à gaz et grill
ZGP364LD – 4 brûleurs à gaz et plaque chauffante

Modèle au propane 30" (76 cm) : ZGP304N

Modèles au gaz naturel 30" (76 cm) : ZGP304L

DOSSERET

Tous les modèles requièrent au minimum 12" (30 cm) d'espace de séparation arrière avec toute surface inflammable. Si cet espace est inférieur à 12" (30 cm), la totalité de la surface du mur se trouvant derrière et au-dessus de la cuisinière doit être protégée par un dossier. Le dossier doit être fabriqué à l'aide d'une matière ignifuge comme le métal, la tuile en céramique, la brique, le marbre ou tout autre pierre.

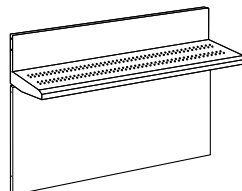
Deux dossiers sont disponibles :

- Il existe un dossier de 12" (30 cm) en acier inoxydable. Utilisez ce dossier couplé à un dossier spécial et ignifuge monté au-dessus du premier. La hauteur des deux dossiers combinés doit atteindre la partie inférieure de la hotte, ou en l'absence de hotte, la hauteur totale à partir de la surface de cuisson doit atteindre les 48" (122 cm).

- Il existe un dossier ajustable de 30" (76cm) – 36" (91cm). Ce dossier comble l'espace entre le dessus de la cuisinière et la partie inférieure de la hotte. L'étagère est conçue pour que les ampoules d'une hotte professionnelle Monogram soient orientées vers elle.



Dossier de 30cm, 48 cm (12") de hauteur
ZX12B48PSS, pour les cuisinières de 121 cm (48")
ZX12B36PSS, pour les cuisinières de 91 cm (36")
ZX12B30PSS, pour les cuisinières de 76 cm (30")

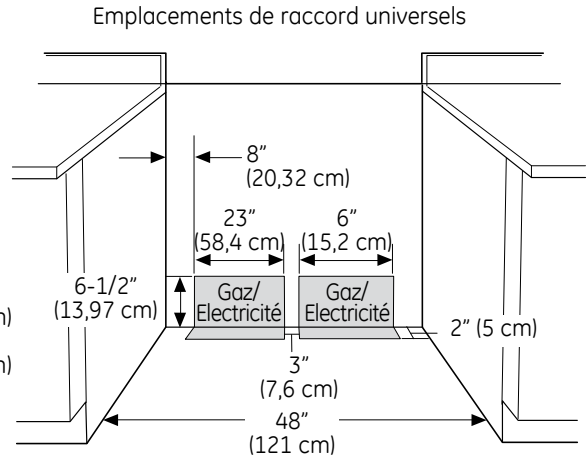
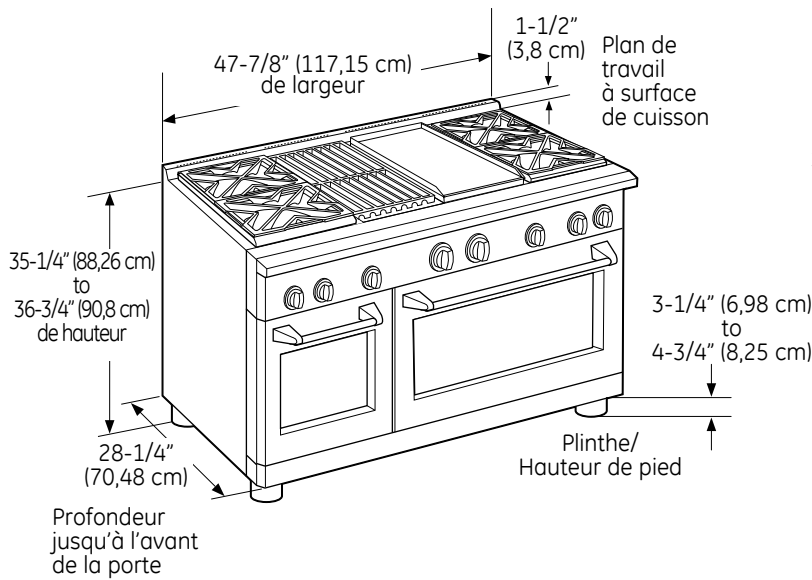


Dossier à hauteur réglage avec étagère
76 cm-91 cm (30"-36")
ZXADJB48PSS, pour les cuisinières de 121 cm (48")
ZXADJB36PSS, pour les cuisinières de 91 cm (36")
ZXADJB30PSS, pour les cuisinières de 76 cm (30")

Caractéristiques

DIMENSIONS DU PRODUIT ET ESPACES DE SÉPARATION

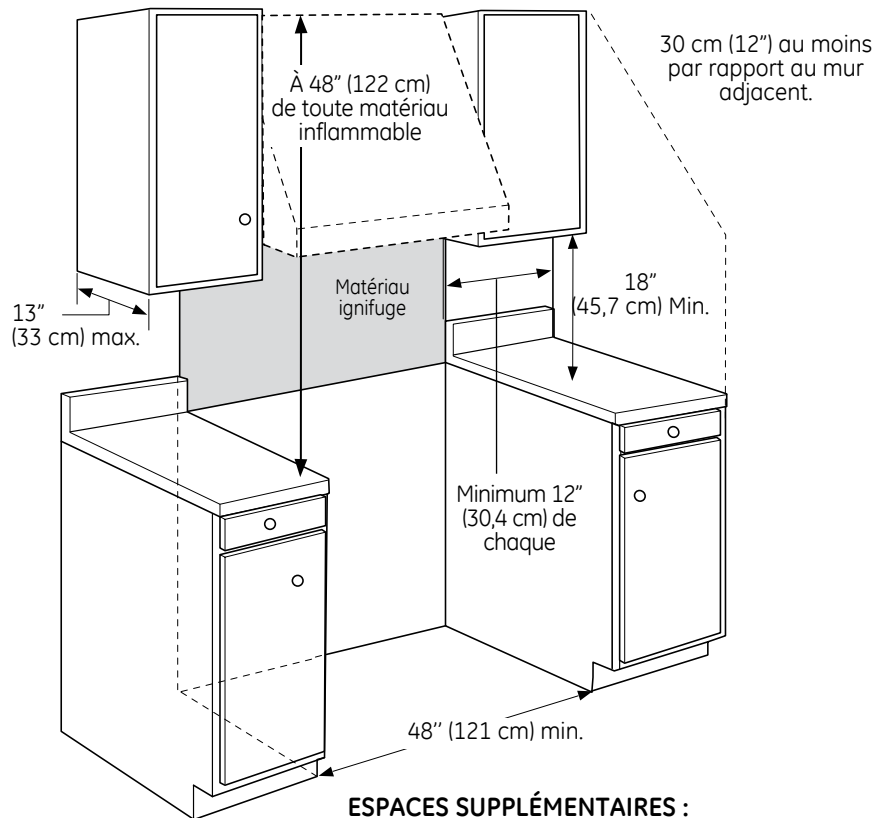
Modèles de cuisinière 121 cm (48")



▲ AVERTISSEMENT :

Pour les installations dépourvues de hotte, prévoyez au minimum un espace de 48" (122 cm) entre l'appareil et toute matière inflammable. Il est possible d'installer une hotte spéciale à proximité d'éléments horizontaux inflammables dans la mesure où celle-ci dispose d'une fonction de mise en marche automatique. Pour obtenir les spécifications d'espace pour d'autres installations pourvues d'une hotte, veuillez vous reporter aux instructions fournies avec celle-ci.

La totalité de la surface du mur arrière ainsi que la surface se trouvant au-dessus de la table de cuisson doit être faite d'une matière ignifuge comme le métal, la tuile en céramique, la brique, le marbre ou tout autre pierre.



ESPACES SUPPLÉMENTAIRES :

Prévoyez un espace minimum de 30 cm (12") par rapport au mur adjacent sur chaque côté.

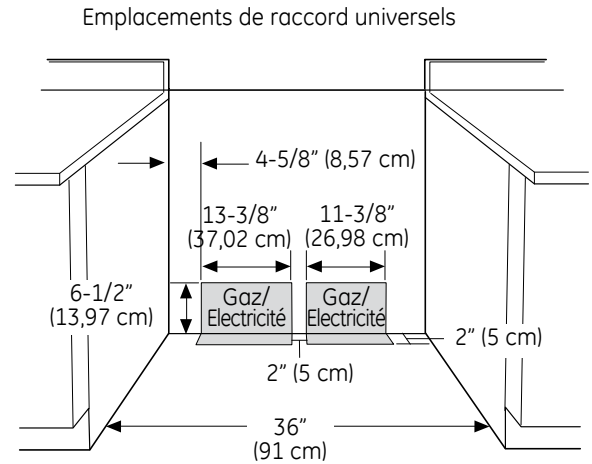
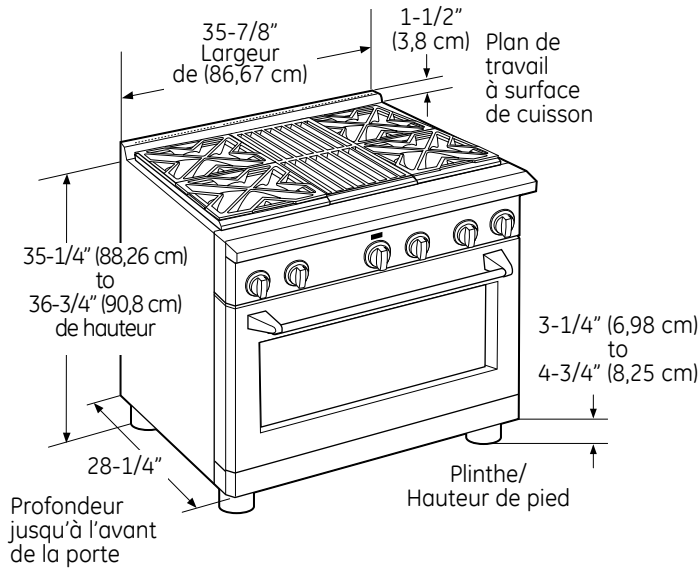
Les espaces de transit autour de la table de cuisson doivent être séparés par un espace d'au moins 45,7 cm (18") entre le plan de travail et le bas du placard mural.

NOTE : Toutes les ouvertures dans le plancher ou le mur derrière ou en dessous de l'appareil doivent être scellés.

Caractéristiques

DIMENSIONS DE L'APPAREIL ET ESPACES

Modèles de cuisinière 91 cm (36") Caractéristiques

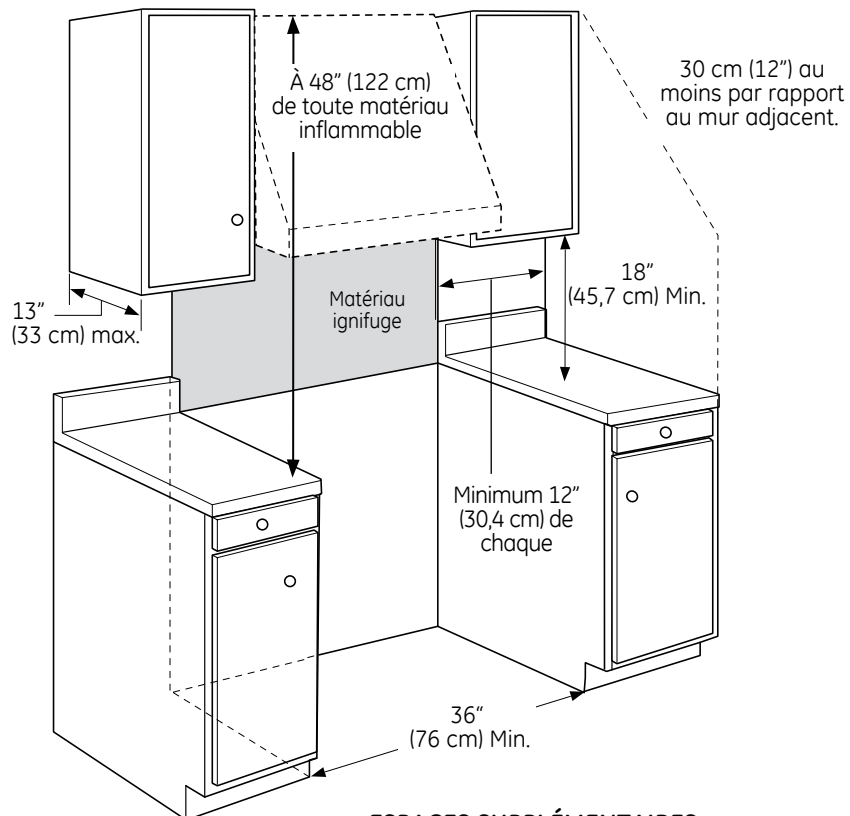


⚠ AVERTISSEMENT :

Pour les installations dépourvues de hotte, prévoyez au minimum un espace de 48" (122 cm) entre l'appareil et toute matière inflammable. Il est possible d'installer une hotte spéciale à proximité d'éléments horizontaux inflammables dans la mesure où celle-ci dispose d'une fonction de mise en marche automatique. Pour obtenir les spécifications d'espace pour d'autres installations pourvues d'une hotte, veuillez vous reporter aux instructions fournies avec celle-ci.

La totalité de la surface du mur arrière ainsi que la surface se trouvant au-dessus de la table de cuisson doit être faite d'une matière ignifuge comme le métal, la tuile en céramique, la brique, le marbre ou tout autre pierre.

NOTE : Toutes les ouvertures dans le plancher ou le mur derrière ou en dessous de l'appareil doivent être scellés.



ESPACES SUPPLÉMENTAIRES :

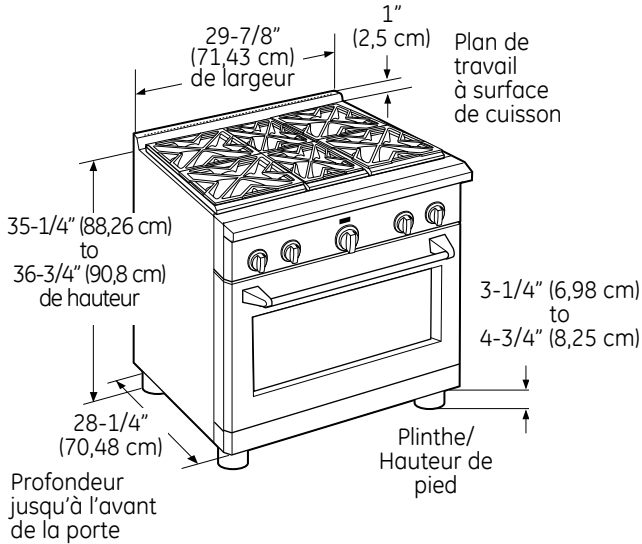
Prévoyez un espace minimum de 30 cm (12") par rapport au mur adjacent sur chaque côté.

Les espaces de travail autour de la table de cuisson doivent être séparées par un espace d'au moins 45,7 cm (18") entre le plan de travail et le bas du placard mural.

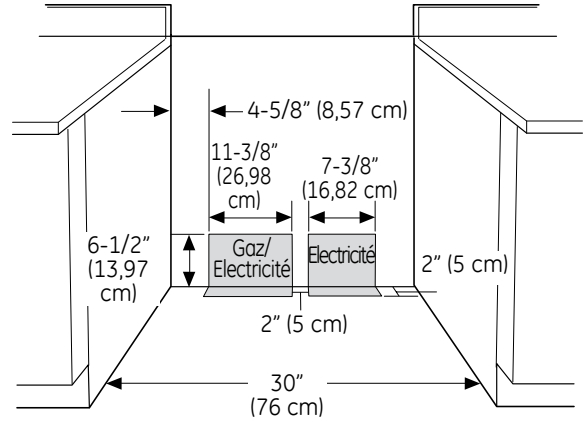
Caractéristiques

DIMENSIONS DE L'APPAREIL ET ESPACES

Modèles de cuisinière 76 cm (30")



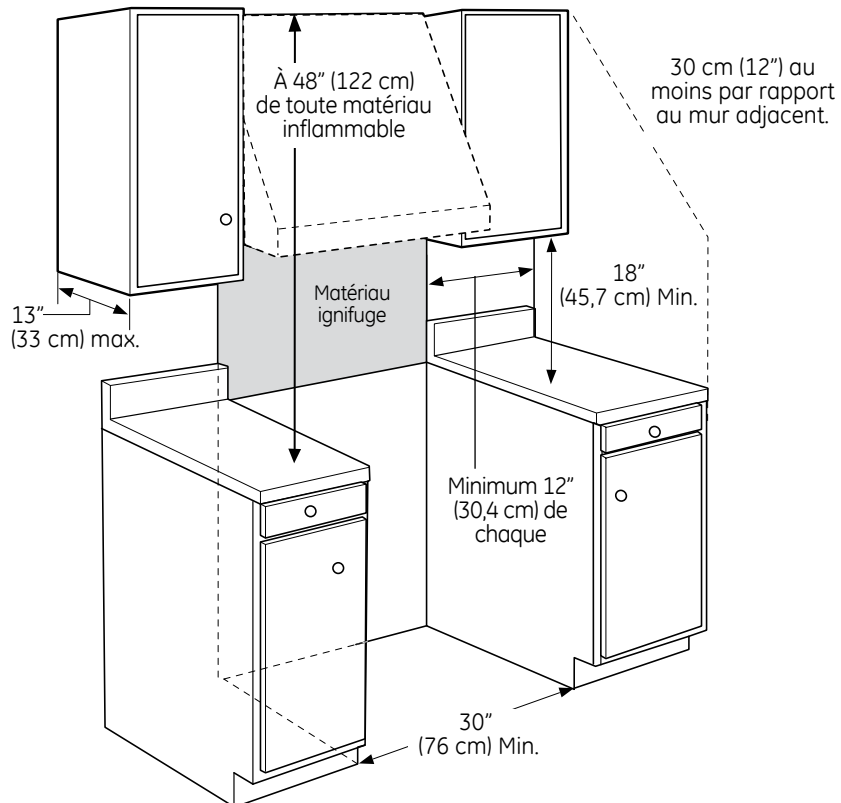
Emplacements de raccord universels



⚠ AVERTISSEMENT :

Pour les installations dépourvues de hotte, prévoyez au minimum un espace de 48" (122 cm) entre l'appareil et toute matière inflammable. Il est possible d'installer une hotte spéciale à proximité d'éléments horizontaux inflammables dans la mesure où celle-ci dispose d'une fonction de mise en marche automatique. Pour obtenir les spécifications d'espace pour d'autres installations pourvues d'une hotte, veuillez vous reporter aux instructions fournies avec celle-ci.

La totalité de la surface du mur arrière ainsi que la surface se trouvant au-dessus de la table de cuisson doit être faite d'une matière ignifuge comme le métal, la tuile en céramique, la brique, le marbre ou tout autre pierre.



NOTE : Toutes les ouvertures dans le plancher ou le mur derrière ou en dessous de l'appareil doivent être scellés.

ESPACES SUPPLÉMENTAIRES:

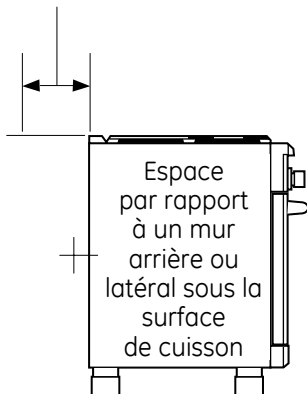
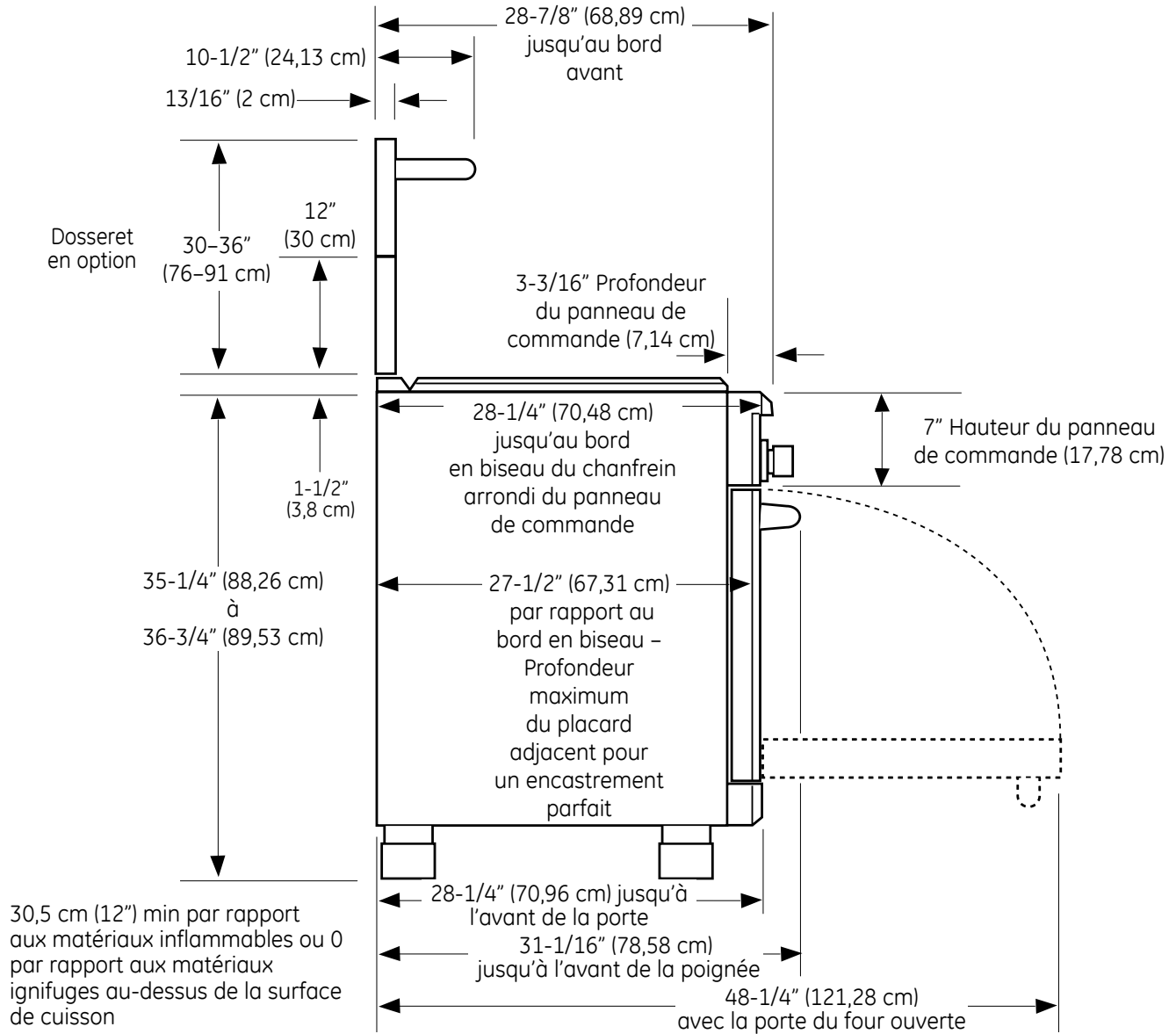
Prévoyez un espace minimum de 30 cm (12") par rapport au mur adjacent sur chaque côté.

Les espaces de transit autour de la table de cuisson doivent être séparées par un espace d'au moins 45,7 cm (18") entre le plan de travail et le bas du placard mural.

Caractéristiques

DIMENSIONS DE L'APPAREIL ET ESPACES

Modèles de cuisinière 76 cm (30"), 91 cm (36") et 121 cm (48")



⚠ AVERTISSEMENT :

Le un dosseret de 12" (30 cm) en acier inoxydable doit être installé avec un dosseret ignifuge personnalisé.

Le dosseret fini doit recouvrir la totalité du mur arrière jusqu'au bas de la hotte, ou en l'absence de hotte, 48" (121 cm) aux matériaux inflammables.

Consignes d'installation

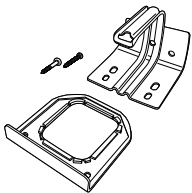
KIT HAUTE ALTITUDE WB28K10553

Pour une utilisation à une altitude supérieure à 900 m (6000 pieds), commandez le kit de conversion WB28K10553. Ce kit comprend des orifices pour un fonctionnement au gaz naturel et au propane.

KIT DE RÉDUCTION DES CARACTÉRISTIQUES NOMINALES WB28K10554

(For a small kitchen environment.)
Kit de conversion de réduction des caractéristiques nominales pour le modèle ZDP304N (gaz naturel uniquement). Ce kit comprend des orifices pour réduire la puissance du brûleur de surface au niveau de 40,000 BTU.

MATÉRIEL FOURNI



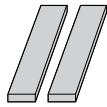
Support antidérapant, équerre et vis



Coude de raccordement de tuyau (12,7 mm) 1/2"



Lubrifiant pour grille de four



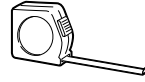
Cales (pour protéger le sol)

OUTILS NÉCESSAIRES



Scie sauteuse

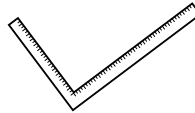
Perceuse et forets adaptés



Mètre



Clé anglaise

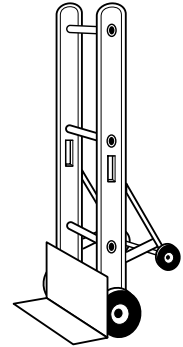


Équerre de maçon

Tournevis ou clé à molette 1/4" (0.63 cm)



Lunettes protectrices



Diable

Tournevis cruciforme 2

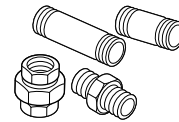


Niveau

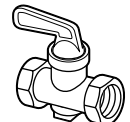
MATÉRIEL NÉCESSAIRE (non fourni)



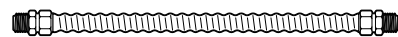
Scellant à joint



Raccords de tuyau



Clapet de fermeture



Tuyau métallique flexible d'alimentation de gaz agréé CSA de 1,58 cm de diamètre et d'une longueur maximale de 1,5 m (5 pieds) (Longueur maximum de 90 cm (3 pieds) dans le Massachusetts uniquement)

REMARQUE : procurez-vous un tuyau flexible neuf, n'utilisez pas un tuyau ayant déjà été utilisé.

Préparation de l'installation

EMPLACEMENT DES ALIMENTATIONS

Alimentation de gaz :

- Les modèles au gaz naturel ont été conçus pour fonctionner à une pression de 5" (12,7 cm) colonne d'eau. Pour un fonctionnement optimal, la pression du gaz naturel qui alimente le régulateur doit se situer entre 7" (17,8 cm) et 13" (33 cm) colonne d'eau.
- Les modèles au propane ont été conçus pour fonctionner à une pression de 10" (25,5 cm) colonne d'eau. Pour un fonctionnement optimal, la pression du propane qui alimente le régulateur doit se situer entre 11" (27,9 cm) et 13" (33 cm) colonne d'eau.
- Localisez l'embase du tuyau sur le mur arrière ou le sol (voir "Dimensions de l'appareil et espaces"). Utilisez le conduit d'alimentation de gaz flexible (diamètre de 1,58 cm et longueur de 1,5 m) (90 cm dans le Massachusetts).

Alimentation électrique :

Votre cuisinière doit être mise à la terre conformément aux règlements locaux et selon la version la plus récente du Code de l'électricité national (ANSI/NFPA 70). Au Canada, la mise à la terre électrique doit répondre à la partie 1 du règlement du Code canadien de l'électricité CSA C22.1 en vigueur. Consultez les raccords électriques du présent chapitre

▲ ATTENTION

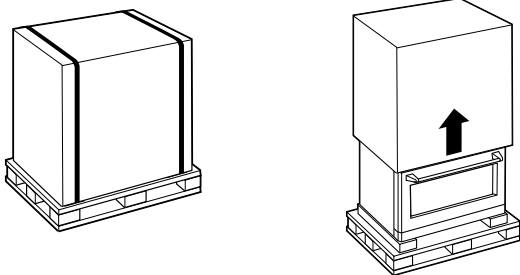
Ne tentez pas de faire fonctionner le four de la cuisinière pendant une panne de courant.

Installation

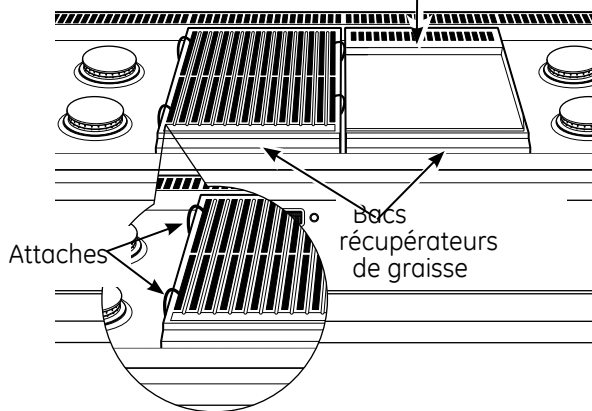
ÉTAPE 1 SORTEZ L'APPAREIL DE SON EMBALLAGE

⚠ ATTENTION

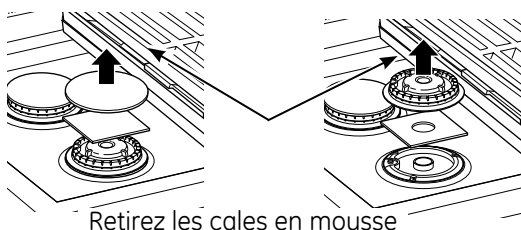
Maintenez-vous à l'écart. Les extrémités des bandes métalliques découpées peuvent vous blesser.



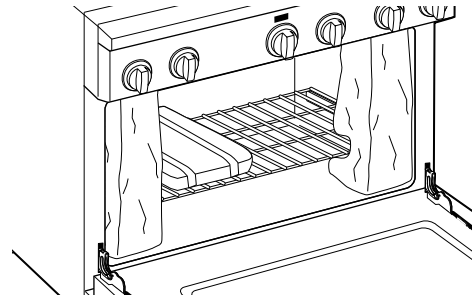
- Coupez les bandes métalliques. Soulevez le carton.
- Localisez les deux bandes du dessus de l'emballage. Ces bandes serviront à protéger le sol de la cuisine pendant l'installation.
- Retirez les montants d'angle. Jetez les matériaux d'emballage.
- Retirez les couvercles de la plaque chauffante/du grill, les grilles du grill et des brûleurs.
- Soulevez le couvercle en fonte de la plaque chauffante, les bacs récupérateurs de graisse et les cales.
- Coupez les attaches qui fixent la grille du grill au cadre du grill. Couvercle d'aération de plaque chauffante



- Soulevez les chapeaux des brûleurs et retirez la cale en mousse, puis soulevez les têtes des brûleurs et retirez la cale en mousse.



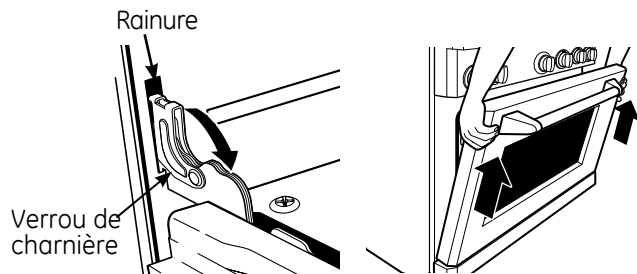
- Ouvrez la(les) porte(s) du four et retirez l'emballage. Retirez l'étagère qui supporte le plat de cuisson, le ruban, l'emballage, le lubrifiant pour étagère et la sonde.



⚠ ATTENTION

Les portes et les voies de passage menant à l'emplacement d'installation requièrent un espace de (80 cm) 32". Si l'espace est inférieur à 80 cm, la (les) porte(s) du four et les boutons de commande doivent être retirés.

RETIREZ LA(LES) PORTE(S) DU FOUR QUE SI CELA S'AVÈRE NECESSAIRE pour déplacer la cuisinière sur les entrées de porte. Afin ne pas endommager les flancs de la cuisinière, il sera nécessaire de rembourrer les coins sous les bandes sur le diable.



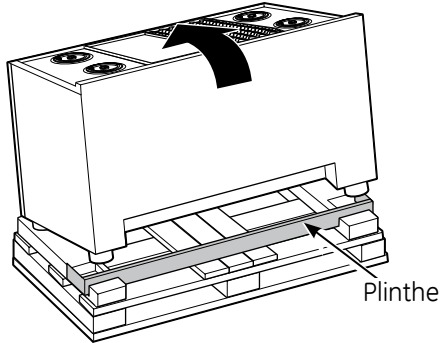
Pour retirer la(les) porte(s) :

- Ouvrez la porte en grand.
- Chaque charnière possède un loquet. Rabattez le loquet sur le cadre de la porte.
- Tenez fermement la porte sur les côtés supérieurs.
- Fermez la porte en position quasi verticale.
- Soulevez la porte et tirez verticalement.
- Retirez les boutons de commande en tirant à la verticale.

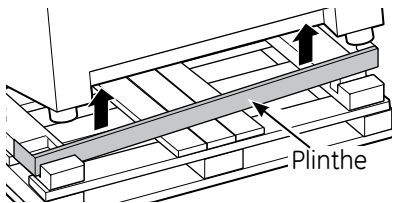
Installation

ÉTAPE 2 DÉPLACEZ LA CUISINIÈRE À L'INTÉRIEUR

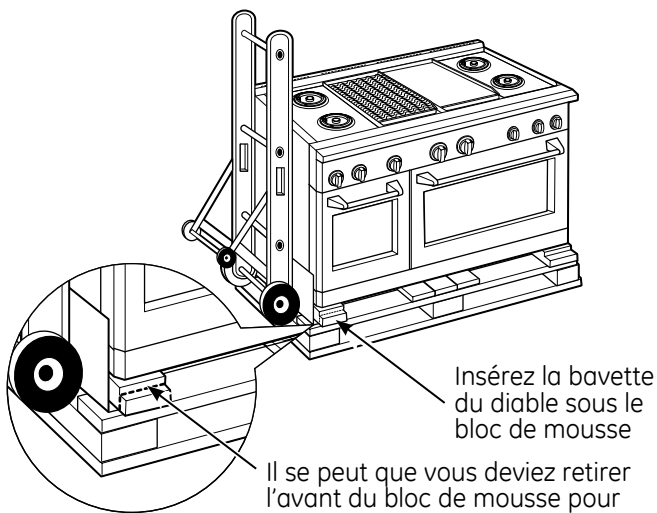
1 Inclinez la cuisinière vers l'avant sur le patin.



2 Soulevez la plinthe du socle en mousse.



3 Poussez la bavette du diable sous le bloc de mousse.

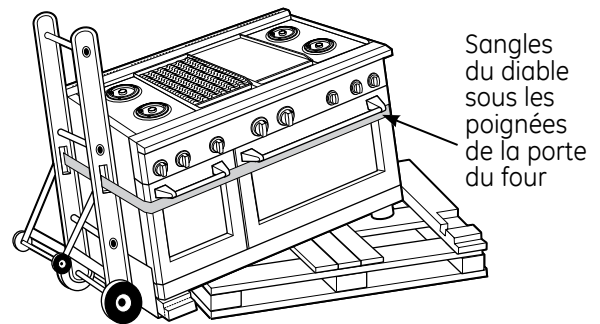


IMPORTANT : Ne retirez pas le bloc de mousse de base pendant l'utilisation du chariot manuel. Placez la lame du chariot sous le bloc de mousse puis transportez la cuisinière à sa destination finale.

4 Attachez les sangles du chariot de manutention autour de l'appareil.

IMPORTANT : Placez les sangles du diable sous les poignées de la porte du four. Pour éviter endommager les panneaux latéraux, placez un coussin entre le diable et la cuisinière.

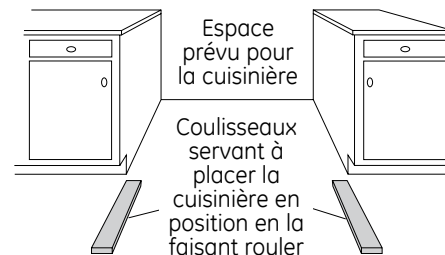
5 Inclinez la cuisinière pour abaisser les roulettes du diable hors du frein antidérapant.



6 Placez les coulisseaux de l'appareil sur le sol sur les côtés gauche et droite à l'avant de l'ouverture.

IMPORTANT : Les coulisseaux fournissent une surface pour faire rouler la cuisinière dans sa position finale et protéger la finition du sol. Retirez les coulisseaux avant d'ajuster le niveau de la cuisinière.

7 Déplacez la cuisinière. Posez la cuisinière en face de l'emplacement de l'installation, sur les guides.



Installation

ÉTAPE 3 INSTALLEZ LE SUPPORT ANTI-BASCULEMENT



! AVERTISSEMENT

- Toutes les cuisinières peuvent se renverser.
- Au risque de provoquer des BRÛLURES ou des BLESSURES GRAVES.
- **INSTALLEZ et VÉRIFIEZ** le support ANTI-BASCULEMENT conformément à ces instructions.

Afin d'éviter que la cuisinière ne bascule, il est nécessaire de la fixer à l'aide d'un support anti-basculement. Reportez-vous aux consignes d'installation fournies avec le support pour en savoir plus avant de procéder à l'installation.

Afin de vérifier la bonne installation du support, regardez au-dessous de la cuisinière. Le support anti-basculement devrait être inséré dans l'ouverture de l'équerre anti-basculement sur la cuisinière. Si le bras du support manque l'équerre sur le côté droit au gauche, ou le bras du support ne dépasse pas à travers l'ouverture de l'équerre, réinstallez le support.

Si la cuisinière est tirée du mur, répétez cette procédure afin de vérifier si la cuisinière est correctement fixée par le support anti-basculement.

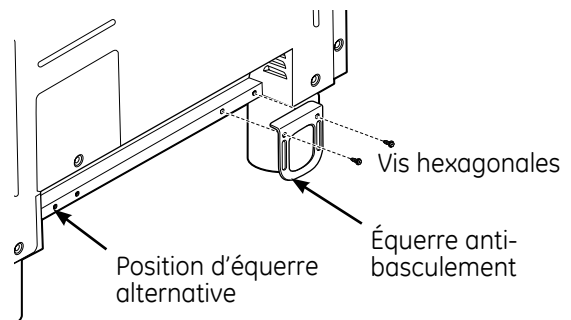
Si votre cuisinière ne dispose pas support anti-basculement, appelez le 1.800.626.8774 pour en recevoir un gratuitement.

Si le support anti-basculement fourni avec la cuisinière n'adapte pas dans cette application, utilisez le support anti-basculement universel WB2X7909.

Veillez lire la brochure de sécurité contre les basculements AHAM livrée avec le support.

- Fixez l'équerre anti-basculement au bas de la cuisinière dans l'espace en retrait. Installez 2 vis hexagonales (fournies) sur l'équerre et la cuisinière.

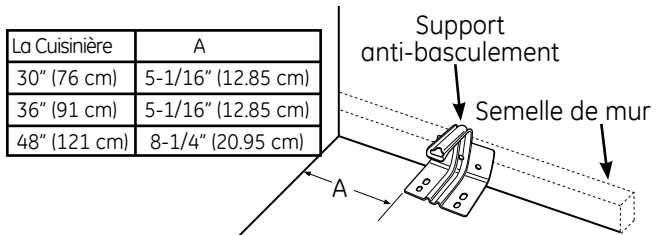
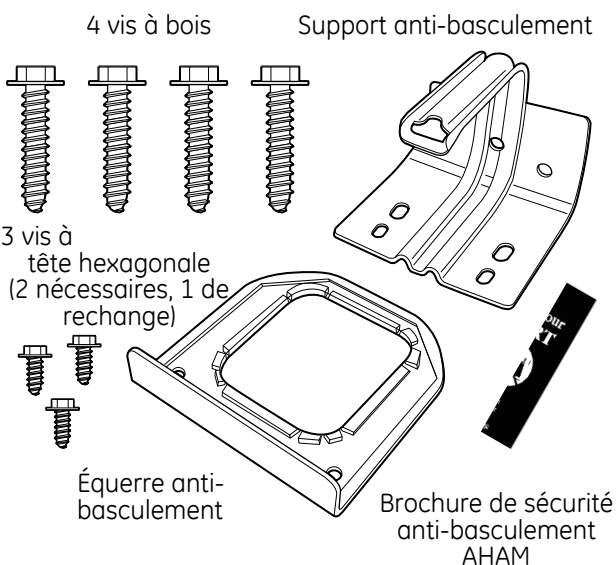
REMARQUE : Ce dispositif anti-basculement peut être installé sur le côté opposé de la cuisinière.



- Mesurez et marquez Dimensionnez A (voir le tableau ci-dessous) du côté gauche (ou droit) de l'emplacement d'installation, Si le plan de travail est doté d'un surplomb, ajoutez cette dimension à Dimensionnez A.
- Placez le support anti-basculement sur le sol et le mur arrière selon l'emplacement marqué. Marquez des repères pour les trous à vis pour la fixation du support sur la semelle du mur et le sol.
- Percez des trous repère de 31 mm (1/8") à un angle de 20°.
- Fixez le support sur le sol et/ou le mur à l'aide les 2 vis à bois (fournies).

Pour les constructions en ciment ou béton : Vous devez utiliser les éléments fixation appropriés (non fournis).

Pièces du support anti-basculement fournies



La Cuisinière	A
30" (76 cm)	5-1/16" (12.85 cm)
36" (91 cm)	5-1/16" (12.85 cm)
48" (121 cm)	8-1/4" (20.95 cm)

Installation

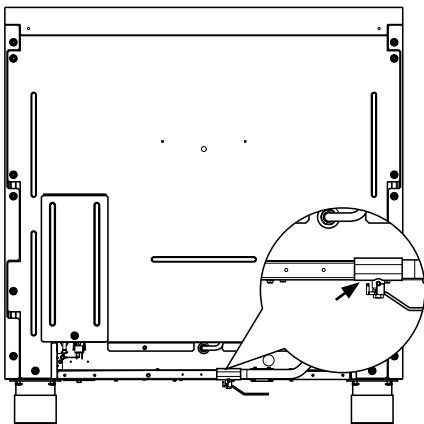
ÉTAPE 4 BRANCHEZ LA CUISINIÈRE AU GAZ AVERTISSEMENT

▲ AVERTISSEMENT

N'utilisez pas de flamme pour vérifier les fuites de gaz.

Assurez-vous que le gaz est coupé :

- Appliquez le scellant à joint du couvre-joints sur l'arrivée de gaz située au dos de la cuisinière. Installez un coude 12,7 mm (1/2") (fourni) sur l'arrivée du gaz.
- Raccordez un tuyau métallique flexible d'alimentation de gaz de 1,58 cm de diamètre. Branchez l'autre extrémité du raccord au système d'alimentation de gaz de votre domicile.
- Allumez le gaz et vérifiez la présence de fuites :
 - Utilisez un détecteur de fuite de liquide sur tous les joints et les raccords du système.



IMPORTANT : Débranchez la cuisinière et le robinet de fermeture du conduit d'alimentation de gaz pendant le test de pression du système à des pressions de test supérieures à 1/2 psig. Isolez la table de cuisson du conduit d'alimentation de gaz en fermant le robinet à fermeture manuelle au niveau de la table de cuisson pendant le test de pression du système à des pressions de test égales ou inférieures à 1/2 psig.

REMARQUE : Cette cuisinière est équipée d'un robinet de fermeture du gaz situé au-dessus de l'appareil, sous l'évent arrière. Ce robinet doit être utilisé lorsque l'alimentation en gaz est nécessaire.

ÉTAPE 5 RACCORDS ÉLECTRIQUES

Exigences électriques

120 V, 60 Hz, circuit dédié avec mise à la terre adéquate et protégée par un disjoncteur de 15 ou 20 A ou fusible coussinet.

ÉTAPE 5 RACCORDS ÉLECTRIQUES (suite)

Mise en garde pour les rallonges

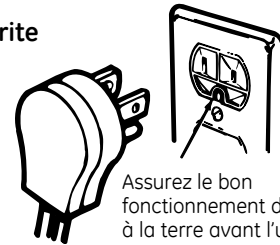
À cause des risques de dangers possibles associés à certaines conditions, ne recommandons fortement de ne pas utiliser de rallonge. Toutefois, si vous souhaitez quand même utiliser une rallonge, celle-ci doit comporter l'homologation UL et être dédiée à l'utilisation des appareils ménagers, et le marquage de la caractéristique nominale de l'intensité du courant transporté par la rallonge doit être équivalent ou supérieur à la caractéristique nominale du circuit.

Mise à la terre

IMPORTANT—(Veuillez lire attentivement)

CET APPAREIL DOIT ÊTRE MIS À LA TERRE POUR VOTRE SÉCURITÉ

Méthode favorite



Assurez le bon fonctionnement de la mise à la terre avant l'utilisation

Le cordon d'alimentation de cet appareil est doté d'une fiche à trois broches (mise à la terre) s'adaptant à une prise murale avec mise à la terre classique dotée de trois broches permettant de minimiser le risque d'électrocution par cet appareil.

Le client doit faire vérifier la mise à la terre adéquate de la prise murale et le circuit par un électricien qualifié.

Le client est responsable du remplacement de toute prise murale à deux broches par une prise murale avec mise à la terre (3 broches) adéquate.

EN AUCUN TEMPS, NE COUPEZ PAS OU NE RETIREZ PAS LA TROISIÈME BROCHE (MISE À LA TERRE) DU CORDON D'ALIMENTATION.

Quelques mots au sujet du disjoncteur de fuite à la terre - Un disjoncteur de fuite à la terre n'est pas exigé ni recommandé pour les prises murales des cuisinières à gaz.

Le disjoncteur de fuite à la terre est un dispositif détectant la fuite de courant d'un circuit et coupant automatiquement la tension électrique lorsque le seuil de la fuite est détecté. Ce dispositif doit être réinitialisé manuellement par le client. Le code d'électricité national exige l'utilisation d'un dispositif de fuite à la terre de la prise murale installée au-dessus des comptoirs. Le rendement d'une cuisinière branchée à un circuit avec disjoncteur de fuite à la terre ne sera pas modifié, mais la possibilité d'un déclenchement occasionnel de ce disjoncteur est possible.

Installation

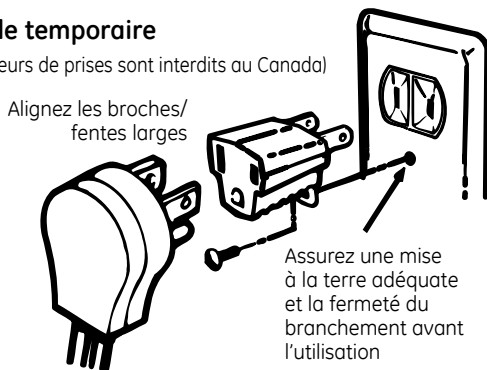
ÉTAPE 5 RACCORDS ÉLECTRIQUES (suite)

A. Situations d'utilisations pour le débranchement non fréquent du cordon de la cuisinière.

Un adaptateur peut être utilisé uniquement sur un circuit de 15 A. Ne pas utiliser d'adaptateur sur un circuit de 20 A. Là où les codes le permettent, un **RACCORD TEMPORAIRE** peut être effectué à une prise murale avec mise à la terre de deux broches en utilisant un adaptateur marqué UL offert dans la plupart des quincailleries. La fente la plus large de l'adaptateur doit être alignée avec la fente la plus large de la prise murale pour offrir une polarité adéquate pour le branchement du cordon d'alimentation.

Méthode temporaire

(Les adaptateurs de prises sont interdits au Canada)



⚠ ATTENTION : La vis de fixation de la borne de terre à la prise murale n'établit pas la mise à la terre de l'appareil sauf si la vis de la plaque est en métal et non isolée, et que la prise murale est mise à la terre par le filage électrique de la maison. Le client doit faire vérifier le circuit par un électricien qualifié pour assurer la mise à la terre de la prise murale.

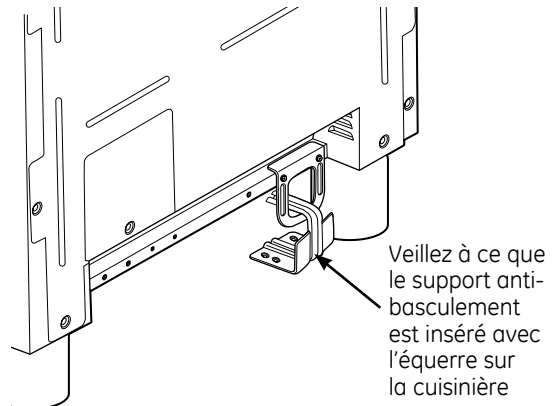
Lors du débranchement du cordon d'alimentation de l'adaptateur, tenez toujours l'adaptateur avec une main. Si cela n'est pas fait, le débranchement fréquent occasionnera l'usure de la borne et provoquer son bris. Si la borne se brise, **N'UTILISEZ PAS** l'appareil tant qu'un branchement avec mise à la terre n'est installé.

ÉTAPE 6 PLACEZ LA CUISINIÈRE DANS A POSITION FINALE EN LA FAISANT ROULER

⚠ AVERTISSEMENT

Le support antibasculement doit être correctement installé pour éviter le basculement de la cuisinière, afin d'éviter des blessures graves ou des dommages matériels.

- Assurez-vous que les coulisseaux se trouvent sous les roulettes.
- La cuisinière est livrée avec les roulettes pliées. Faites rouler la cuisinière vers sa position finale, en prenant soin de ne pas coincer ou d'emmêler le cordon d'alimentation ou les tuyaux flexibles d'alimentation en gaz.
- Retirez les coulisseaux du dessous la cuisinière.



Installation

ÉTAPE 7 AJUSTEZ LE NIVEAU DE LA CUISINIÈRE

⚠ AVERTISSEMENT

La cuisinière doit être à plat et reposer sur des pieds et non pas des roulettes. La cuisinière pourrait bouger si les roulettes touchent le sol. Veillez à ce que les pieds touchent le sol quelque soit l'installation.

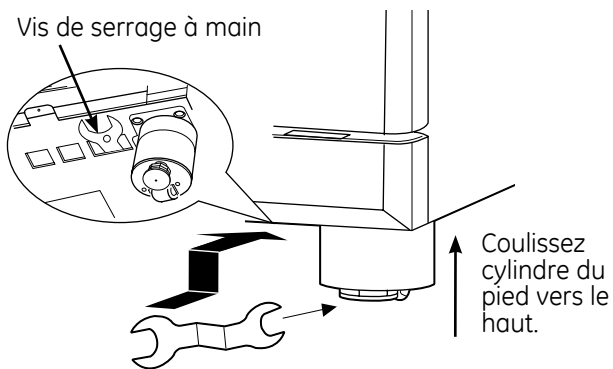
- Tous les pieds doivent être à plat après installation de l'appareil.
- Veillez à ce que les placards/plans de travail situés à côté soient à plat, de haut en bas et de gauche à droite sur l'espace de la cuisinière.
- Mesurez la distance qui sépare le sol du haut du plan de travail au niveau des coins supérieurs droit et gauche.
- Réglez la hauteur de la cuisinière sur la hauteur du plan de travail ou plus haut.

IMPORTANT : Cette cuisinière doit toujours être installée à la hauteur du plan de travail ou plus haut. **N'INSTALLEZ PAS LA CUISINIÈRE PLUS BAS QUE LE PLAN DE TRAVAIL ADJACENT.** La cuisinière doit être posée sur 4 pieds, indépendamment de la hauteur du plan de travail.

AJUSTEMENT DU PIED AVANT

- Faites coulisser les cylindres avant pour ajuster les pieds de support avant. Prenez soin de ne pas endommager le cylindre.
- Un clé pour pied de support est fournie. Allez sous l'avant de la cuisinière à proximité du côté droit. Localisez et retirez une vis de serrage à main, puis dégagez la clé de la rainure.

Vis de serrage à main

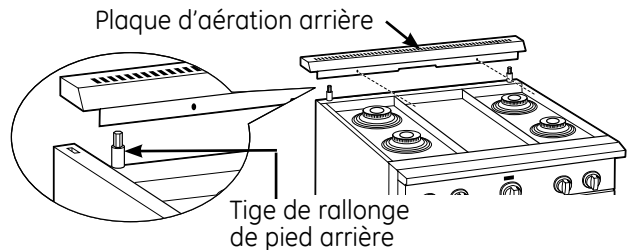


- Utilisez la clé fournie pour tourner les pieds avant. Tournez dans le sens des aiguilles d'une montre pour soulever la cuisinière au-dessous des roulettes. Tournez dans le sens inverse des aiguilles d'une montre pour abaisser les pieds.
- Veuillez ranger la clé dans son étui de rangement pour la réutiliser ultérieurement.

ÉTAPE 7 AJUSTEZ LE NIVEAU DE LA CUISINIÈRE (suite)

AJUSTEMENT DU PIED ARRIÈRE

- Retirez les deux vis de la plaque d'aération arrière. Faites coulisser la plaque d'aération vers l'avant, puis soulevez-la pour la retirer.
- Saisissez-vous des deux tiges de rallonge de pied. Utilisez un tournevis ou une clé 0,53 cm (1/4") pour ajuster les pieds arrière gauche et droit.



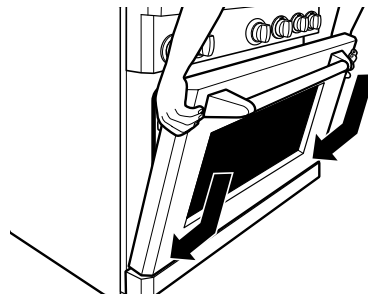
- Remplacez la plaque d'aération arrière à l'aide des vis d'origine.

ÉTAPE 8 REPLACEZ LA(LES) PORTE(S) DU FOUR

Passez à l'étape suivante si les portes du four sont installées.

IMPORTANT : Ne soulevez pas la porte par la poignée. Pour remplacer les portes du four :

- **Tenez fermement la porte par le haut. C'est essentiel.**
- Rapprochez la cuisinière avec la porte incline en position verticale.
- Coulissez les charnières dans les rainures.
- Poussez la porte pour ouvrir.
- Une fois en position, ouvrez la porte en grand. Rabattez ou déployez les verrous de charnière vers le cadre avant.

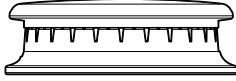


⚠ ATTENTION : Remplacez les portes du four avec précaution. Si le loquet de la charnière n'est pas correctement verrouillé, la charnière pourrait se rétracter et se détacher. Si la charnière se détache, vous devez appliquer une pression (avec votre pied) pour la plaquer et enclencher le loquet.

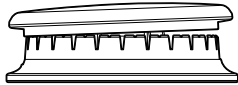
Installation

ÉTAPE 9 VÉRIFIEZ LES BRÛLEURS

Assurez-vous que les chapeaux et les têtes du brûleur sont correctement installés.



Chapeau de brûleur incorrectement installé



Chapeau de brûleur correctement installé

- Vérifiez l'allumage :
 - Appuyez sur un bouton de commande et tournez-le sur LITE (feu doux).
 - L'allumeur va émettre des étincelles et le brûleur va s'allumer. L'allumeur n'émet plus d'étincelles une fois le brûleur allumé.
 - Prenez votre temps lors du premier test, tandis que l'air est expulsé du conduit de gaz.
 - Tournez le bouton sur OFF.
 - Suivez cette procédure pour chaque brûleur.

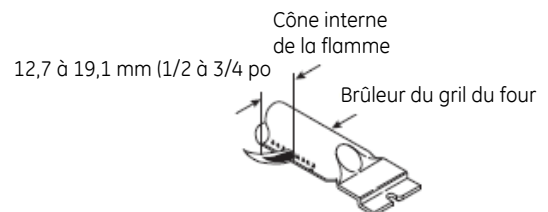
IMPORTANT : Si les électrodes de l'allumeur continuent d'émettre des étincelles après l'allumage des brûleurs, vérifiez si toutes les pièces du brûleur sont correctement installées. Reportez-vous au manuel de l'utilisateur.

- Les flammes du brûleur devraient être bleues et stables sans pointe jaune, de bruit excessif. Si c'est le cas, vérifiez si les ports du brûleur ne sont pas bouchés. Si le problème persiste, appelez un spécialiste.

REMARQUE : La plaque signalétique est située au bas du panneau de commande. Elle est visible lorsque la porte est ouverte. Le numéro de série et le numéro de modèle se situent derrière le bouton gauche et vous pouvez l'apercevoir lorsque le bouton est démonté.

ÉTAPE 10 VÉRIFIEZ LE FONCTIONNEMENT DES BRÛLEURS DE CUISSON DU FOUR

- A. Retirez les boutons du four et du diffuseur (voir les articles 6A et B des instructions de conversion, à la page 49).
- B. Pour faire fonctionner le brûleur de **cuisson**, tournez le bouton du sélecteur de mode du four à cuisson et tournez le bouton de commandes de température à 350. Le brûleur s'allumera après 30 à 90 secondes. Les flammes doivent être stables et bleues, environ 2,5 cm (1 po) de hauteur et en forme de cône si le four est alimenté avec le gaz naturel et sans pointes jaunes à l'extrémité. Pour la plupart des fours alimentés au propane, les petites pointes jaunes à l'extrémité du cône de la flamme sont normales. La longueur du cône interne de la flamme pour les deux types de gaz doit être de 12,7 à 19,1 mm (1/2 à 3/4 po).



- C. Répétez la même vérification avec le four latéral (si présent).

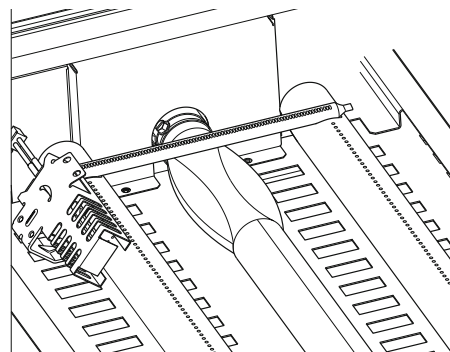
ÉTAPE 11 RÉGLEZ LE BRÛLEUR DE CUISSON DEPUIS LE VOLET D'OBTURATION (si nécessaire)

Réglage du volet d'obturation :

1. Si les flammes sont jaunes, ouvrez le volet d'obturation d'air plus grand que le réglage d'origine.
2. Si la hauteur de la flamme est trop haute ou qu'elle flotte au-dessus du brûleur, fermez le volet d'obturation d'air à un niveau inférieur du réglage d'origine.

Retirez le brûleur pour accéder au volet d'obturation d'air du brûleur.

- A. Utilisez un tournevis pour dévisser la vis de réglage du volet d'obturation d'air.



Installation

ÉTAPE 11 RÉGLEZ LE BRÛLEUR DE CUISSON DEPUIS LE VOLET D'OBTURATION (suite)

- B. Réglez le volet d'obturation d'air.
- C. Révissez la vis de réglage du volet d'obturation d'air.
- D. Vérifiez si la hauteur de la flamme du cône interne se situe entre 12,7 à 19,1 mm (1/2 à 3/4 po).

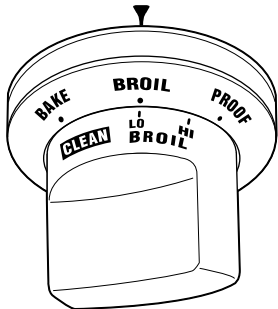
Réinstallez toutes les pièces après confirmation du bon fonctionnement.

ÉTAPE 12 VÉRIFIEZ LE FONCTIONNEMENT DU BRÛLEUR DU GRIL DU FOUR

Le brûleur du gril du four doit chauffer pendant 3 minutes avant de procéder à sa vérification.

1. Pour faire fonctionner le brûleur du gril, tournez le bouton du sélecteur de mode du four à Broil (gril) puis tournez le bouton du sélecteur de température à Broil Hi (température élevée). Le brûleur s'allumera après 30 à 90 secondes.

La présence d'une nappe de flamme uniforme doit couvrir toute la surface de la plaque perforée, les flammes doivent être bleues et à peine visible et d'une hauteur d'environ 0,63 mm (1/2 po). Après environ 3 minutes, la surface de la plaque perforée brillera d'une couleur orange.



2. Répétez la même méthode de vérification pour le four latéral (si présent).

Si la flamme est longue et flétrie, vérifiez si l'orifice adéquat est installé et la conversion adéquate du régulateur vers le type de gaz d'alimentation de votre four.

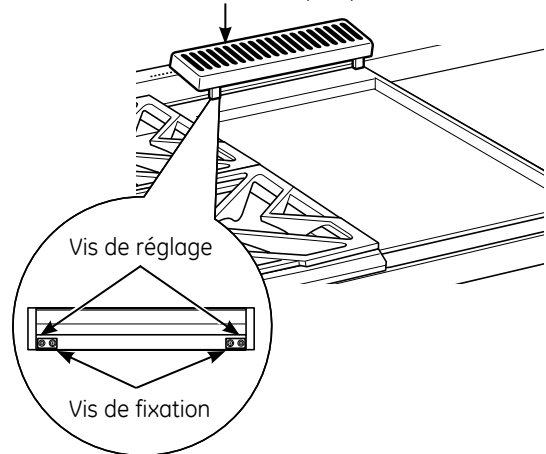
TERMINEZ L'INSTALLATION

Placez les grilles des brûleurs sur les brûleurs. Les grilles doivent être posées et ne devraient pas bouger.

La plaque chauffante est fixée à l'aide de vis. Elle a été conçue pour être statique et elle ne doit pas être retirée.

La plaque chauffante est dotée de deux vis de réglage sous le couvercle d'aération arrière que vous pouvez utiliser pour ajuster l'inclinaison de votre choix.

Couvercle d'aération de la plaque chauffante



Les deux vis intérieures sont des vis de fixation qui maintiennent la plaque en place. Desserrez les deux vis avant de régler. Ne retirez pas ces deux vis.

Les deux vis externes sont des vis de réglage. Ne retirez pas ces deux vis. Elles peuvent être vissées pour régler le niveau de la plaque chauffante ou pour créer une inclinaison vers l'avant permettant d'évacuer la graisse et l'huile des aliments cuisinés.

Après avoir réglé le niveau de la plaque chauffante, serrez les deux vis de fixation à la main, en prenant soin de ne pas trop serrer.

LISTE DE VÉRIFICATION POUR L'INSTALLATION

- Veillez à ce que les boutons de commande soient sur OFF.
- Veillez à ce que l'air de ventilation de combustion vers la table de cuisson n'est pas obstrué.
- **Revérifiez les étapes :**
Procédez à une nouvelle vérification afin de vous assurer que les consignes figurant dans ce manuel ont été respectées. Cette vérification garantira le fonctionnement optimale de la table de cuisson.

REMARQUE : La caractéristique nominale de la table de cuisson est située au fond du panneau de commandes et visible lorsque la porte du four est ouverte. Le modèle et le numéro de série sont situés derrière le bouton gauche et visibles lorsque le bouton est retiré.

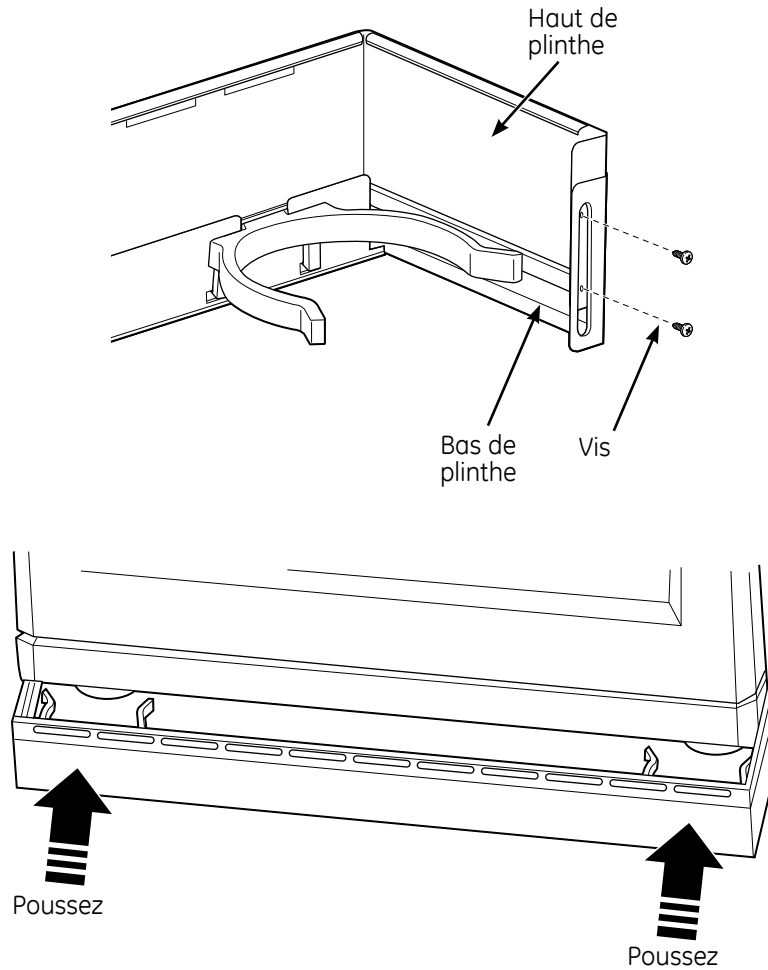
Installation

ACCESSOIRES—PLINTHE (fournie)

- Installez la plinthe après avoir ajusté la position de la cuisinière.
- Mesurez la distance entre le sol et le bas de la cuisinière.
- Desserrez les deux vis sur chaque extrémité. Ajustez la hauteur de la plinthe en faisant coulisser les pièces supérieur et inférieur 1/8" de moins que la hauteur mesurée.

- Fixez les parties inférieure et supérieure en serrant les 2 vis sur chaque extrémité.
- Plaquez la plinthe contre le pied de la cuisinière jusqu'à ce que le clip s'encastre dans les pieds.

REMARQUE : Veillez à ce que la plinthe s'emboîte correctement dans le pied.



ZX12B30PSS, ZX12B36PSS, ZX12B48PSS Installation d'accessoires

ACCESSOIRES EN OPTION—DOSSERET DE 30 CM (12") DE HAUTEUR

⚠ AVERTISSEMENT :

Afin d'éviter que les matériaux inflammables ne prennent feu, le mur arrière au-dessus de la cuisinière doit être protégé par un dossier en matériau ignifuge.

Ce dossier en acier inoxydable doit être installé avec un dossier ignifuge fabriqué au-dessus de la hauteur de 30 cm (12") du dossier.



AVANT DE COMMENCER

Lisez attentivement l'ensemble des consignes.

IMPORTANT : Conservez ces consignes, elles peuvent vous être utiles pour toute inspection de votre installation.

IMPORTANT : RESPECTEZ TOUTES LES NORMES AINSI QUE LES RECOMMANDATIONS PRÉCONISÉES PAR LES AUTORITÉS COMPÉTENTES.

REMARQUE À L'ATTENTION DE L'INSTALLATEUR : Après intervention, assurez-vous d'avoir remis ces instructions à l'utilisateur.

REMARQUE À L'ATTENTION DE L'UTILISATEUR : Conservez ces instructions avec le manuel de l'utilisateur pour toute consultation ultérieure.

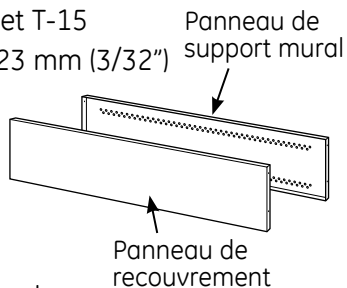
Ce kit est conçu pour l'installation du dossier de 30 cm (12") pour les cuisinières et les tables de cuisson professionnelles Monogram 76 cm, 91 cm et 121 cm.

OUTILS ET MATÉRIEL NÉCESSAIRES

- Gants pour vous protéger des parties tranchantes
- Tournevis cruciforme 2 et T-15
- Percez avec des forets 23 mm (3/32") et 35 mm (9/64")
- Lunettes protectrices
- Niveau
- Crayon

Ce kit comprend

- Panneau de support mural
- Panneau recouvrant
- Sachet de matériel contenant
 - 5 vis en acier inoxydable Torx 15 #8 auto-taraudeuses
 - 5 vis à bois à tête cylindrique #10 Phillips #2

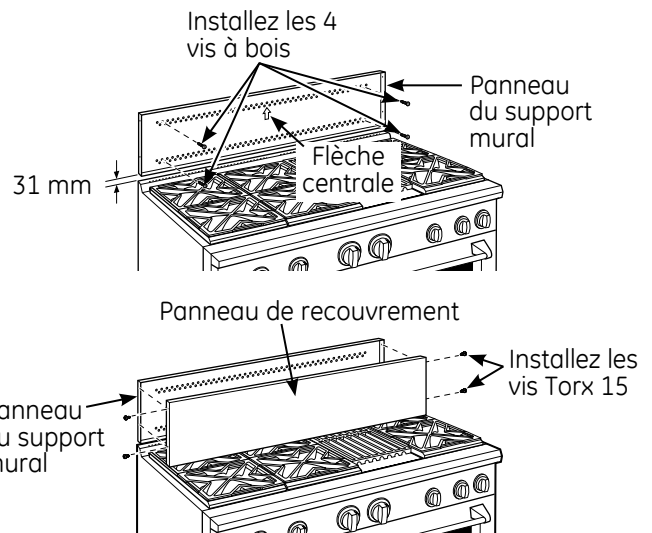


Sachet de matériel

INSTALLEZ LE DOSSERET 30 CM (12")

⚠ AVERTISSEMENT : Ce dossier doit être correctement fixé au mur afin d'éviter toute blessure ou dommage matériel.

- Installez et ajustez la position de la cuisinière ou de la table de cuisson et de la hotte de la cuisinière, conformément aux consignes d'installation.
- Sortez le dossier de son emballage et le film protecteur.
- Utilisez un niveau pour dessiner au crayon une ligne horizontale sur le mur, 1/8" au-dessus de la cuisinière ou de la table de cuisson. L'espace de 1/8" fait que le panneau recouvrant se superpose au panneau de support mural.
- Localisez les poteaux muraux sur chaque côté. En l'absence de poteaux, utilisez plutôt des chevilles murales (non fournies).
- Alignez le panneau de support mural sur la ligne horizontale dessinée et centrée de gauche à droite.
- Le panneau de support mural doit être fixé au mur aux 4 coins. Utilisez des vis à bois (fournies) ou des chevilles murales (non fournies) pour fixer le panneau de support au mur.
- Placez le panneau de recouvrement sur le panneau de support mural et fixez à l'aide de vis Torx (fournies). Installez 2 vis de chaque côté.



ZXADJB30PSS, ZXADJB36PSS, ZXADJB48PSS Installation d'accessoires

ACCESSOIRES—DOSSERET AJUSTABLE 30"-36" (non fourni)

▲ AVERTISSEMENT :

Afin d'éviter que les matériaux inflammables ne prennent feu, la totalité de la surface du mur se trouvant au-dessus de la cuisinière doit être protégée par un dossier ignifuge.



AVANT DE COMMENCER

Lisez attentivement l'ensemble des consignes.

IMPORTANT : Conservez ces consignes, elles peuvent vous être utiles pour toute inspection de votre installation.

IMPORTANT : RESPECTEZ TOUTES LES NORMES AINSI QUE LES RECOMMANDATIONS PRÉCONISÉES PAR LES AUTORITÉS COMPÉTENTES.

REMARQUE À L'ATTENTION DE L'INSTALLATEUR : Après intervention, assurez-vous d'avoir remis ces instructions à l'utilisateur.

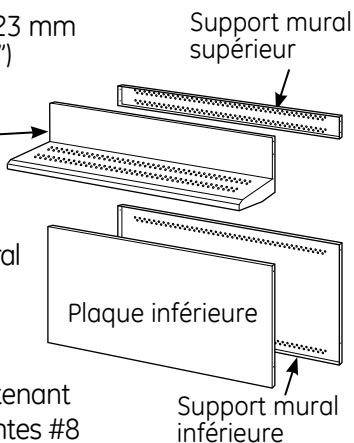
REMARQUE À L'ATTENTION DE L'UTILISATEUR : Conservez ces instructions avec le manuel de l'utilisateur pour toute consultation ultérieure.

- Ce dossier est conçu pour combler l'espace entre le haut de la cuisinière et le bas de la hotte, entre une hauteur maximale de 76 cm et 91 cm.
- Le poids maximal de portance de l'étagère est de 18 kg.

OUTILS ET MATÉRIEL NÉCESSAIRES

- Gants pour vous protéger des parties tranchantes
- Tournevis cruciforme 2 et T-15
- Percez avec des forets 23 mm (3/32") et 35 mm (9/64")
- Lunettes protectrices
- Niveau
- Crayon

Plaque supérieure avec étagère



Ce Kit comprend

- Panneau de support mural
- Panneau mur inférieur
- Top cover with shelf
- Plaque inférieure
- Sachet de matériel contenant
 - 9 tornillos auto-roscantes #8 Torx 15 de acero inoxidable
 - 9 tornillos de estrella #2 para madera de cabeza troncocónica #10
 - 3 tornillos de cabeza segmentada #10 de acero inoxidable #2 (para un método de instalación alternativo)



Sachet de matériel

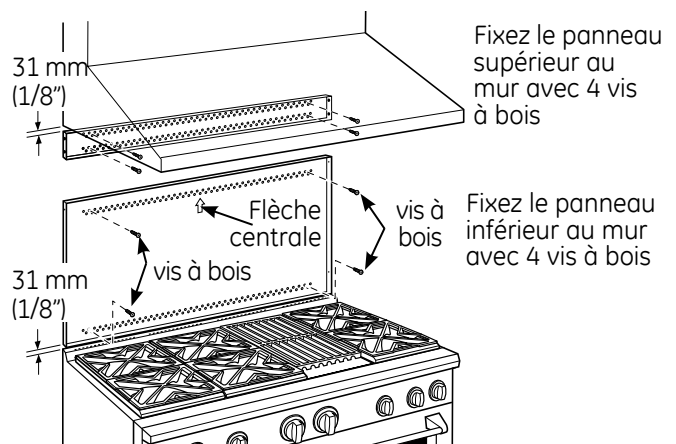
INSTALLEZ LES PANNEAUX DE SUPPORT MURAL

▲ **AVERTISSEMENT :** Les panneaux de support mural doivent être correctement fixés au mur afin d'éviter toute blessure ou dommage matériel.

IMPORTANT : Ce dossier est conçu pour couvrir le mur entre la partie supérieure de la cuisinière et la partie inférieure de la hotte. La hotte d'extraction doit être installée sur la table de cuisson ou de la cuisinière avant d'installer le dossier.

- Installez et ajustez la position de la table de cuisson/cuisinière conformément aux consignes d'installation.
- Retirez l'emballage du dossier et le film protecteur.
- Localisez les poteaux muraux sur chaque côté. En l'absence de poteaux, utilisez plutôt des chevilles murales (non fournies).
- Utilisez un niveau pour tracer au crayon 2 lignes horizontales sur le mur, une à 1/8" sous la hotte d'extraction et l'autre à 1/8" au-dessus de la table de cuisson/cuisinière. Cet espace de 1/8" fait que le panneau de recouvrement se superpose aux supports muraux.
- Fixez le panneau mural supérieur au mur à l'aide de 4 vis à bois, à travers les poteaux externes.
- Utilisez 4 vis à bois pour fixer support mural inférieur. La rainure centrale doit être placée en haut.

L'espace séparant le panneau de support du bas de celui du haut sera comblé par la plaque supérieure avec étagère.



Fixez le panneau supérieur au mur avec 4 vis à bois

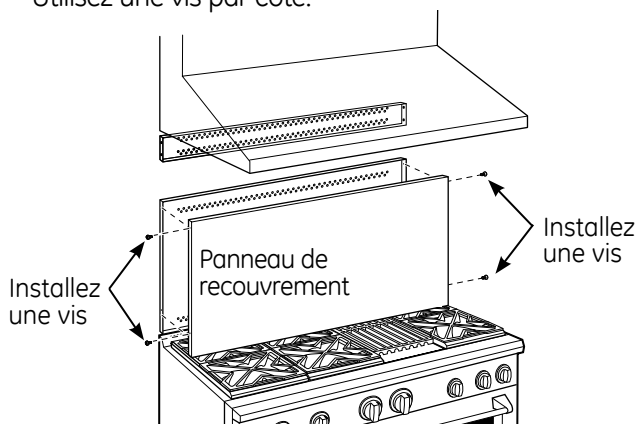
Fixez le panneau inférieur au mur avec 4 vis à bois

ZXADJB30PSS, ZXADJB36PSS, ZXADJB48PSS Installation d'accessoires

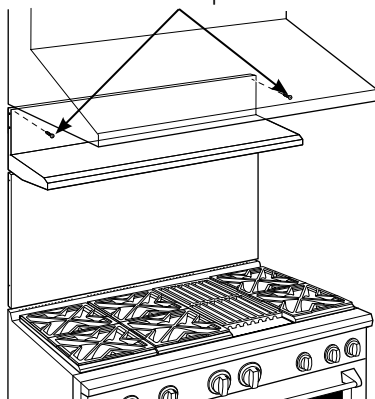
INSTALLEZ LES PANNEAUX DE RECOUVREMENT

Optez pour la méthode alternative si l'accès latéral est bloqué.

- Maintenez la plaque inférieure sur le support tout en vissant une vis (fournie) de chaque côté.
- Placez la plaque supérieure avec l'étagère en place sur le support mural supérieur. Si vous pouvez accéder aux deux côtés, fixez le panneau avec deux vis sur chaque côté.
- Fixez la plaque supérieure avec l'étagère sur le support supérieur et fixez la plaque à l'aide de vis sur l'avant du panneau, sur les coins supérieurs. Utilisez une vis par côté.



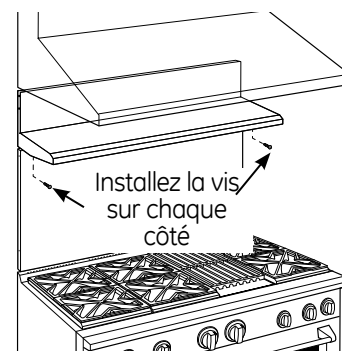
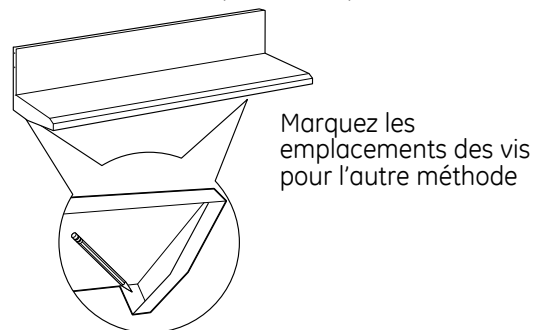
Installez les vis pour les coins



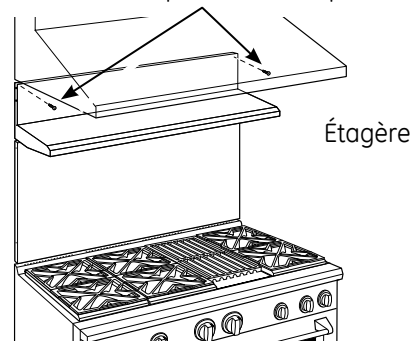
INSTALLEZ LES PANNEAUX DE RECOUVREMENT (suite)

MÉTHODE ALTERNATIVE : En cas d'obstruction de l'accès latéral

- Installez la plaque inférieure sur le support inférieur tout en vissant une vis de chaque côté.
- Maintenez la plaque supérieure en place tout en marquant les emplacements des vis, juste en dessous de l'étagère de support et sur la plaque inférieure.
- Retirez l'étagère et percez un trou de 0,35 cm (9/64") de diamètre dans les emplacements tracés au crayon.
- Montez la plaque supérieure sur le support supérieur et fixez la plaque à l'aide de vis dans les trous percés sur chaque côté.
- Install screws through each top corner. Installez les vis à travers chaque coin supérieur.



Installez la vis sur le coin supérieur de chaque côté



Consignes d'installation

Conversion du gaz naturel au propane Conversion du propane au gaz naturel

⚠ AVERTISSEMENT : Cette conversion doit être effectuée par un plombier ou un fournisseur de gaz qualifié conformément aux consignes du fabricant et aux réglementations et aux normes en vigueur afin d'éviter toute blessure ou dommage matériel. L'agence en charge de l'installation assume la responsabilité de la conversion.

⚠ AVERTISSEMENT : La table de cuisson telle qu'elle est livrée depuis l'usine est conçue pour être utilisée avec le gaz adéquat. Si vous souhaitez l'utiliser avec un autre type de gaz, vous devez d'abord remplacer les orifices et convertir le régulateur de pression.

⚠ AVERTISSEMENT : Vous devez procéder aux réglages suivants avant d'allumer le brûleur afin d'éviter toute blessure grave. Assurez-vous que le régulateur de pression ait été converti comme indiqué lors de l'étape 2.

OUTILS DONT VOUS AUREZ BESOIN POUR LA CONVERSION



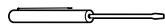
Clé à molette



Tournevis à douille 7 mm et 1/4"



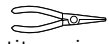
Lunettes protectrices



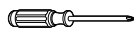
Petit tournevis à tête plate (pointe de 2 à 2,4 mm ou 3/32", 60 mm de longueur)



Clé à douille 1/2" (12,7 mm)



Petites pinces

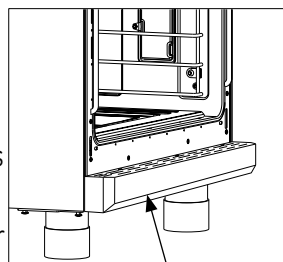


Tournevis cruciforme

1 SUPPORT D'ORIFICE

Le support d'orifice de la cuisinière est situé sur le panneau d'accès frontal et au fond de la cuisinière. Retirez les portes (voyez les instructions à la page 10) et les vis supérieures et inférieures du panneau d'accès frontal. Retirez le panneau frontal pour accéder au support d'orifice.

Des orifices additionnels peuvent être présents. Utilisez uniquement les orifices mentionnés aux instructions pour votre cuisinière ou plaque de cuisson.

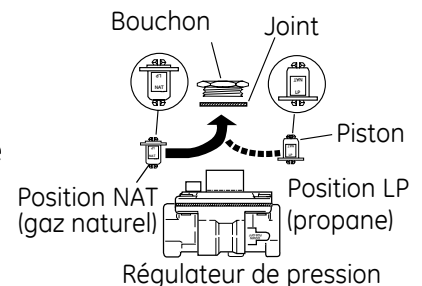


Panneau d'accès frontal

2 CONVERTIR LE RÉGULATEUR

Débranchez l'électricité sur le disjoncteur ou la boîte à fusible du circuit principal.

- Coupez le gaz en fermant le robinet de fermeture sur l'appareil ou le mur.
- Déplacez la cuisinière de manière à pouvoir accéder à l'arrière de l'appareil.
- Enlevez le panneau arrière pour pouvoir accéder aux régulateurs - (1) sur les cuisinières de 76 et 91 cm (30 et 36 po) et (2) cuisinières de 121 cm (48 po).
- Convertissez le régulateur de pression:
 - Dévissez le bouchon avec la ventouse.
 - Placez votre doigt contre la partie plate du piston et appuyez pour sortir la ventouse du bouchon.
 - Observez attentivement le piston pour repérer la position NAT ou LP.
 - Retournez le piston de sorte que le type de gaz souhaité apparaisse à côté du bas.
 - Remplacez le piston dans le bouchon.
 - Vissez le bouchon sur le régulateur.
- Inversez ces étapes pour réassembler le régulateur de pression.

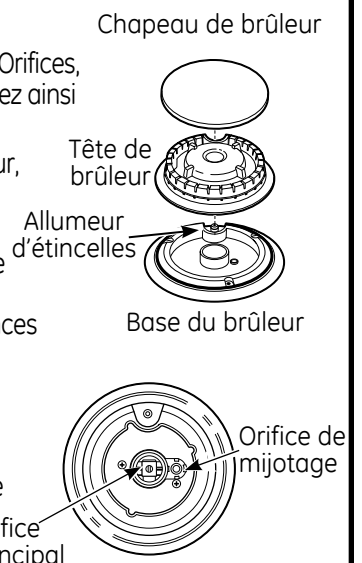


3 CHANGEZ LES ORIFICES DU BRÛLEUR

CONSEIL D'INSTALLATION : Commencez par retirer tous Orifices, puis replacez-les. Vous éviterez ainsi tout oubli.

- Retirez les grilles du brûleur, les chapeaux et les têtes.
- Desserrez les orifices du brûleur du haut à l'aide d'un tournevis à douille 7 mm. Utilisez de petites pinces pour soulever les orifices délicatement.

L'orifice principal est situé assez bas au centre du brûleur, tandis que l'orifice de mijotage est placé plus haut dans le centre du brûleur.

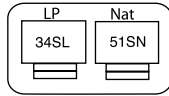
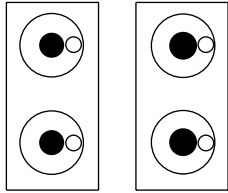


Consignes d'installation pour la conversion de gaz

3 CHANGEZ L'ORIFICE DU GRILL (suite)

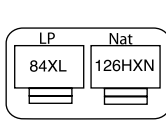
IMPORTANT : Veuillez trouver le numéro de modèle ci-dessous. Lisez chacune des étiquettes des orifices afin de les identifier et de les placer dans les emplacements indiqués.

ORIFICES DE MIJOTAGE ZGP304

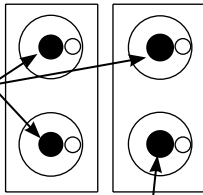


Un orifice de type 34SL ou 51SN sera utilisé sur tous les brûleurs.

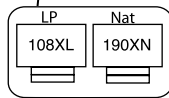
ORIFICES PRINCIPAUX ZGP304



Un orifice de type 84XL ou 126HXN sera utilisé sur ces trois brûleurs.

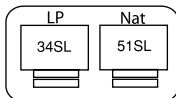


Utilisez des orifices 108XL ou 190XN sur tous les brûleurs.

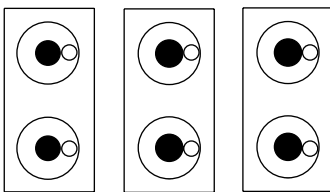


ZGP364, ZGP366, ZGP484, ZGP486

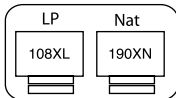
ORIFICES DE MIJOTAGE



Un orifice de type 34SL ou 51SL sera utilisé sur tous les brûleurs.



ORIFICES PRINCIPAUX

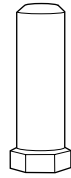


Utilisez un orifice 108XL ou 190XN pour le brûleur situé devant à droite.

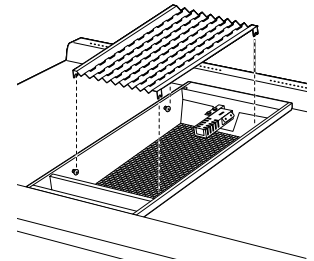
- Remplacez les orifices non utilisés sur le support. Fixez le support à nouveau et la fiche d'instruction avec la vis dans le lieu de rangement d'origine.
- Remplacez les têtes des brûleurs, les chapeaux et les grilles supérieures. Sur les cuisinières, remplacez la plaque d'aération arrière.

4 CHANGEZ L'ORIFICE DU GRILL (si installé)

Localisez l'orifice du grill d'une longueur de 1-1/2" (4 cm). Sélectionnez le type de gaz. LP—.047, NAT—.067

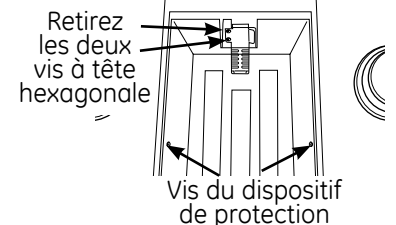


- Retirez le couvercle du grill, les grilles et le cadre. Enlevez le déflecteur de rayonnement.

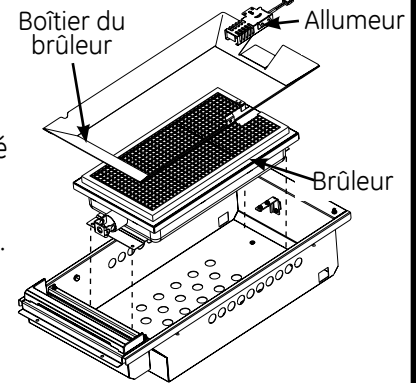


- Retirez les 2 vis à tête hexagonale du haut de l'allumeur.

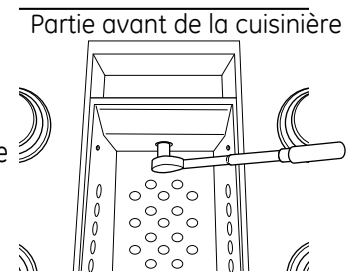
- Retirez 1 vis de chaque côté du dispositif de protection du brûleur.
- Soulevez le dispositif de protection.



- Poussez avec précaution sur l'allumeur sur le côté et sous le brûleur. Ne tirez ou ne coincez pas le câble. Retirez les 4 vis de fixation du brûleur, 2 à l'avant et 2 autres à l'arrière. Faites glisser le brûleur vers l'arrière et à l'extérieur de l'arrivée du gaz.



- Utilisez une clé à douille 1/2" pour retirer et réinstaller l'orifice. Inversez la procédure pour remonter le grill. Assurez-vous de placer l'orifice non utilisé sur le support pour pouvoir l'utiliser ultérieurement.



Consignes d'installation pour la conversion de gaz

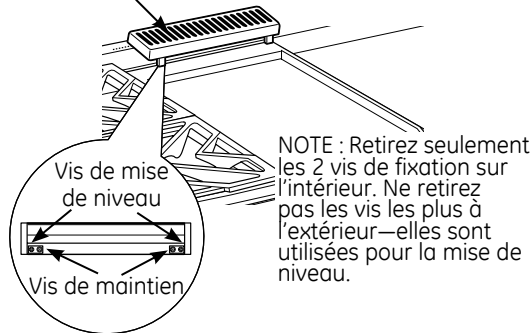
5 CHANGEZ L'ORIFICE DE LA PLAQUE CHAUFFANTE (si installé)

Saisissez-vous de l'orifice de la plaque chauffante de (19 mm) 3/4" longueur.
Sélectionnez le type de gaz.
LP—.047, NAT—.076

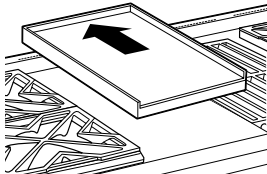


- A. Soulevez le couvercle d'aération de la plaque chauffante. Retirez les 2 vis intérieures de fixation.

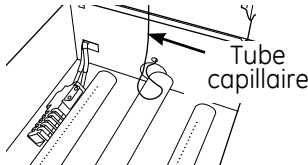
Couvercle d'aération de la plaque chauffante



- B. Soulevez les lèchefrites en fonte. Faites glisser la plaque chauffante vers l'arrière et hors des languettes de maintien le long de la partie inférieure.

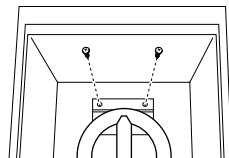


- C. Soulevez délicatement la plaque chauffante tout en la maintenant. Tirez la longueur excédentaire de tube capillaire par le trou d'entrée. Posez la plaque chauffante debout sur la lèchefrite.



- D. Retirez les 2 vis de maintien à l'arrière du brûleur. Tirez le brûleur directement vers l'arrière et détachez-le de l'arrivée du gaz.

Arrière de la cuisinière



- E. Utilisez une clé à douille d'1/2 po pour retirer et réinstaller l'orifice.

Inversez la procédure pour remonter la plaque chauffante. Repoussez la longueur excédentaire de tube capillaire dans le trou d'entrée. Placez l'orifice non utilisé sur le possible pour une possible utilisation ultérieure.



Avant de la cuisinière

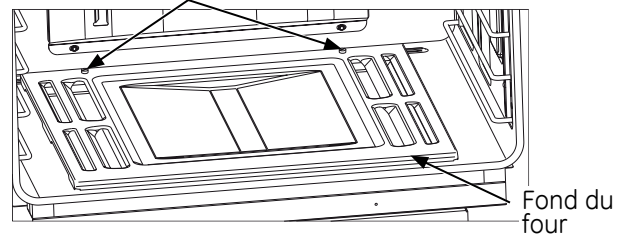
6A REMPLACEMENT DU BRÛLEUR DE CUISSON DU FOUR LATÉRAL (si présent)

Repérez l'orifice de 19 mm (3/4 po) de long du brûleur de cuisson du four.

Choisissez la dimension d'orifice adéquate selon votre type de gaz et de brûleur au diagramme de conversion.

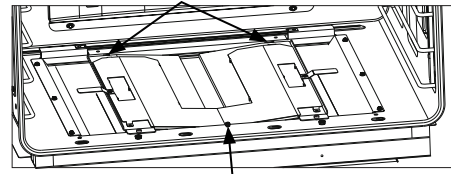
- A. Retirez la porte du four et placez-la dans un endroit sûr.
B. Retirez les deux fonds du four fixés à l'aide de vis et situés à l'arrière du panneau.

Vis serre-tôle



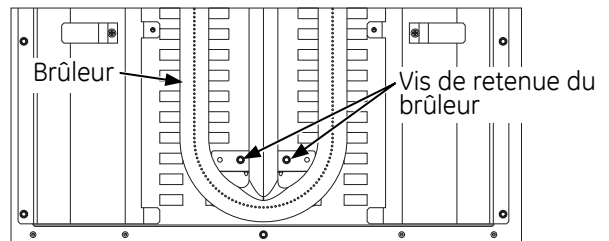
- C. Glissez le fond du four vers l'avant puis déposez-le tout près.
D. Retirez la vis du diffuseur de brûleur.

Fixations



Vis du diffuseur

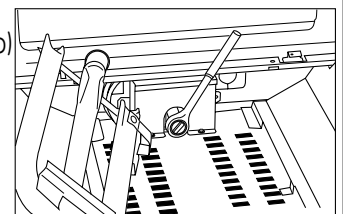
- E. Soulevez légèrement la partie frontale du diffuseur du brûleur et glissez-le vers l'avant pour déclencher les fixations arrière. Mettez le diffuseur de côté.



- F. Retirez les trois vis de retenue du brûleur (1 à l'avant et deux à l'arrière).

- G. Soulevez légèrement la partie frontale du brûleur et glissez-le vers la gauche pour le retirer.

- H. Utilisez une douille profonde de 12,7 mm (1/2 po) pour retirer et replacer l'orifice.



- I. Inversez ces étapes pour rassembler la plaque chauffante. Poussez l'excès du tube capillaire dans l'orifice d'entrée. Placez l'orifice inutilisé dans le support pour une utilisation future.

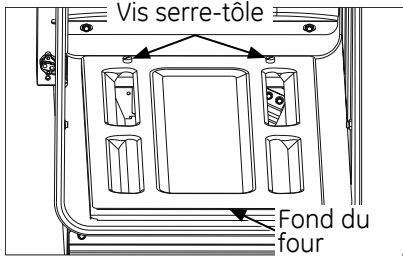
Consignes d'installation pour la conversion de gaz

6B REMPLACEMENT DU BRÛLEUR DE CUISSON DU FOUR LATÉRAL (si présent)

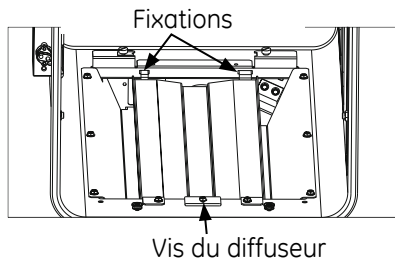
Repérez l'orifice de 19 mm (3/4 po) de long du brûleur de cuisson du four.

Choisissez la dimension d'orifice adéquate selon votre type de gaz et de brûleur au diagramme de conversion.

- A. Repérez l'orifice de 19 mm (3/4 po) de long du brûleur de cuisson du four.
- B. Retirez la porte du four et placez-la dans un endroit sûr.



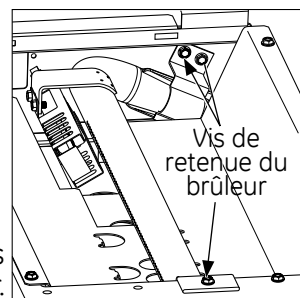
- C. Glissez le fond du four vers l'avant puis déposez-le tout près.
- D. Retirez la vis du diffuseur de brûleur.



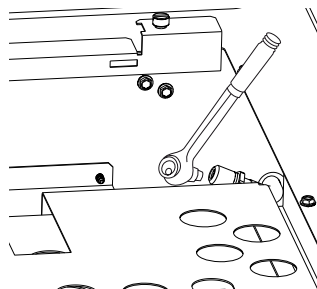
- E. Soulevez légèrement la partie frontale du diffuseur du brûleur et glissez-le vers l'avant pour déclencher les fixations arrière. Mettez le diffuseur de côté.

- F. Retirez les trois vis de retenue du brûleur (1 à l'avant et deux à l'arrière).

- G. Soulevez légèrement la partie frontale du brûleur et glissez-le vers la gauche pour le retirer.



- H. Utilisez une douille profonde de 12,7 mm (1/2 po) pour retirer et remplacer l'orifice.



- I. Inversez ces étapes pour rassembler la plaque chauffante. Poussez l'excès du tube capillaire dans l'orifice d'entrée. Placez l'orifice inutilisé dans le support pour une utilisation future.

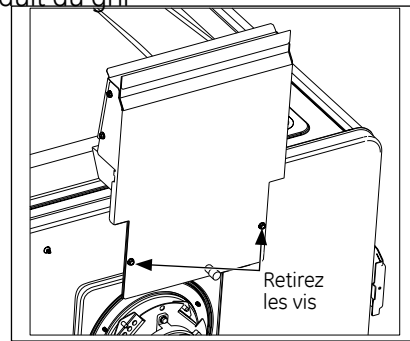
7 REMPLACEMENT DE L'ORIFICE DU BRÛLEUR DE CUISSON DU FOUR LATÉRAL

Repérez l'orifice brûleur de cuisson du four.

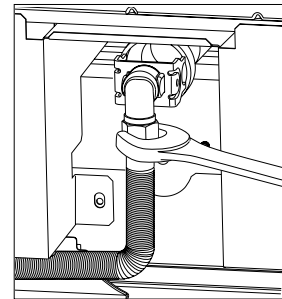
Choisissez la dimension d'orifice adéquate selon votre type de gaz et de brûleur au diagramme de conversion.

Le panneau arrière doit être retiré des régulateurs de conversion. Consultez l'article 2 pour obtenir tous les détails si celui-ci est toujours en place.

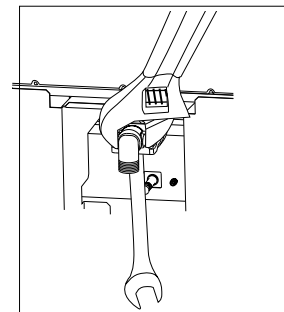
- A. Retirez les deux vis de retenue du couvercle de conduit du grill



- B. Dévissez et retirez l'écrou du tube d'alimentation du grill situé sur le support d'orifice du grill.



- C. Utilisez une clé à ouverture variable et une douille de 11 mm (7/16 po) pour dévisser, retirer et remplacer l'orifice du grill.



- D. Inversez ces étapes pour rassembler la plaque chauffante. Poussez l'excès du tube capillaire dans l'orifice d'entrée. Placez l'orifice inutilisé dans le support pour une utilisation future.

Consignes d'installation pour la conversion de gaz

8 AJUSTEZ LES FLAMMES DU BRÛLEUR

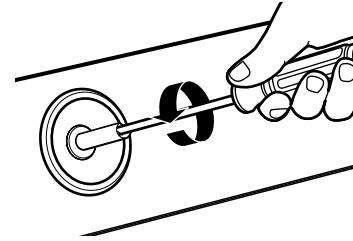
Les brûleurs ne requièrent normalement aucun ajustement. Ne procédez à des ajustements que si cela s'avère nécessaire.

- Allumez le gaz. Branchez le cordon d'alimentation.
- Allumez les brûleurs au maximum et vérifiez les flammes. Elles devraient être bleues. Si vous utilisez du propane, la pointe de flammes devrait être jaune. La présence d'objets étrangers dans le tuyau d'alimentation en gaz devraient donner une couleur orange à la flamme au début. L'orange disparaît par la suite.
- Tournez le bouton du brûleur sur "LO" (feu doux) tout en observant la flamme.

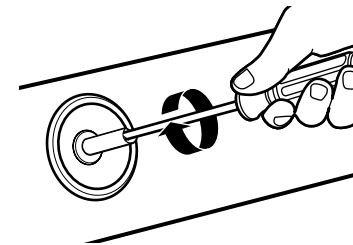
Ajustez le réglage de la première rangée de flammes avec la vis de dérivation de vanne de la manière suivante :

Vous pouvez procéder à des ajustements sur deux autres brûleurs en marche sur un réglage moyen. La rangée supérieure des flammes est ainsi réglée sur un niveau qui n'est pas trop faible, ce qui pourrait provoquer l'extinction de la flamme lorsque d'autres brûleurs sont allumés.

- Pour ajuster la flamme, retirez les boutons. Introduisez un tournevis à tête plate dans le trou au centre du piston de la vanne pour engager la vis.



- Si les flammes sont trop petites ou vacillent, tournez la vis dans le sens inverse des aiguilles d'une montre.



- Si les flammes sont trop grandes, tournez la vis dans le sens des aiguilles d'une montre.
- Procédez à l'ajustement en tournant doucement la vis jusqu'à ce que l'aspect de la flamme soit le bon.

PUISSANCES NOMINALES DE SORTIE DU BRÛLEUR : BTU/HR

Gaz naturel, avec P.C. de 12,7 cm (5 po)					Gaz propane, avec P.C. de 25,5 cm (10 po)				
MODÈLE	BRÛLEUR	PUIS-SANCE BTU	DIMENSION ORIFICE	ID	MODÈLE	BRÛLEUR	PUIS-SANCE BTU	DIMENSION ORIFICE	ID
ZGP48 ZGP36	BRÛLEURS Princ. TOUTES SURFACES Mijoter	16,800 1,200	0.075" (1,90mm) 0.002" (0,51mm)	190XN 51SL	ZGP48 ZGP36	BRÛLEURS Princ. TOUTES SURFACES Mijoter	13,800 1,200	0.043" (1,08mm) 0.013" (0,34mm)	108XL 34SL
ZGP304	BRÛLEUR AD Princ. Mijoter	16,800 1,200	0.075" (1,90mm) 0.002" (0,51mm)	190XN 51SN	ZGP304	BRÛLEUR AD Princ. Mijoter	13,800 1,200	0.043" (1,08mm) 0.013" (0,34mm)	108XL 34SL
ZGP304	AD, GD, AG Princ. Mijoter	8,800 1,200	0.050" (1,26mm) 0.002" (0,51mm)	126HXN 51SN	ZGP304	AD, GD, AG Princ. Mijoter	7,900 1,200	0.033" (0,84mm) 0.013" (0,34mm)	84XL 34SL
ALL	FOUR	15,000	0.0689" (1,75mm)	0.069	ALL	FOUR	14,000	0.047" (1,19mm)	0.047
ALL	TABLE DE CUISSON	18,000	0.076" (1,93mm)	0.076	ALL	TABLE DE CUISSON	16,000	0.047" (1,19mm)	0.047
ZGP48/ ZGP36	CUISSON - PRINCIPAL	24,500	0.0886" (2,25mm)	0.089	ZGP48/ ZGP36	CUISSON - PRINCIPAL	23,000	0.055" (1,397mm)	0.055
ZGP30	CUISSON - PRINCIPAL	23,500	0.0866" (2,20mm)	0.087	ZGP30	CUISSON - PRINCIPAL	21,500	0.0531" (1,35mm)	0.053
ZGP48	CUISSON - POUR LATÉRAL	10,500	0.0531" (1,35mm)	0.053	ZGP48	CUISSON - POUR LATÉRAL	10,000	0.0374" (0,95mm)	0.037
ALL	GRIL PRINCIPAL	12,500	0.063" (1,60mm)	160	ALL	GRIL PRINCIPAL	11,500	0.041" (1,04mm)	104
ZGP48	GRIL - FOUR LATÉRAL	9,000	0.052" (1,32mm)	132	ZGP48	GRIL - FOUR LATÉRAL	9,000	0.0360" (0,91mm)	91

Une fois la conversion terminée et vérifiée, remplissez l'étiquette de conversion et placez-la à côté de l'étiquette signalétique. Pour les cuisinières, placez l'étiquette sous le panneau de commande. Pour les tables de cuisson, placez l'étiquette au bas de l'appareil.

Instrucciones de instalación

ANTES DE COMENZAR

Lea estas instrucciones por completo y con detenimiento.

- **IMPORTANTE** — Guarde estas instrucciones para el uso de inspectores locales.
- **IMPORTANTE** — Cumpla con todos los códigos y ordenanzas vigentes.
- **Nota al instalador** — Asegúrese de dejar estas instrucciones con el consumidor.
- **Nota al consumidor** — Mantenga estas instrucciones con el Manual del propietario para referencia futura.
- **Tiempo de finalización** – de 1 a 3 horas.
- El instalador tiene la responsabilidad de efectuar una instalación adecuada. La Garantía no cubre las fallas del producto debido a una instalación incorrecta. Ver el Manual del propietario para información sobre la garantía.

⚠ ADVERTENCIA:

Esta unidad debe contar con una adecuada conexión a tierra. Siga las instrucciones de "Suministro Eléctrico" de este manual. No hacerlo puede provocar una descarga eléctrica.

Para servicio técnico local Monogram en su área, 1.800.444.1845.

Para servicio técnico Monogram en Canadá, llame al 1.800.561.3344.

Para Piezas y accesorios Monogram, llame al 1.800.626.2002.

Si ha recibido una cocina dañada, usted debe comunicarse con su vendedor.

En el Estado de Massachusetts:

- Este producto debe instalarlo un plomero matriculado o un gasfitero.
- Cuando use válvulas esféricas de apagado de gas, deberán ser del tipo de manija en T.
- Si se usa una conexión flexible para gas, ésta no debe superar los 3 pies.

⚠ ADVERTENCIA:

Todas las cocinas pueden volcarse. Pueden producirse lesiones. Instale el soporte anti-volcaduras provisto. Ver las instrucciones en este manual o con el soporte.

Si este producto es para ser usado fuera de los EE.UU. o Canadá:

⚠ ADVERTENCIA: Si desea utilizar este producto con gas Líquido de Propano (LP) que contiene más de 10% de butano, debe comprar el paquete de conversión para gas butano #WB28K10589. Para pedir, llame al 1.888.664.8403 o 1.787.276.4051. No hacerlo puede provocar un peligro de monóxido de carbono o de incendio.

Combinaciones de capuchas de ventilación:

Se requiere una campana superior de ventilación adecuada para los modelos con parilla y también se recomienda para todo los demás modelos.

- Instale una capucha de por lo menos 1200 CFM (pies cúbicos por minuto) sobre una cocina de 48" de ancho.
- Instale una capucha de por lo menos 600 CFM (pies cúbicos por minuto) sobre una cocina de 30" o 36" de ancho.

Debido a la elevada capacidad de calor de esta unidad, debe prestarse especial atención a la instalación de la capucha y de la red de conductos para garantizar que cumpla con los códigos de construcción locales.

⚠ ADVERTENCIA:

Distancias respecto de superficies horizontales sobre la cocina, medidas en relación a la superficie de cocción. No cumplir con esto puede provocar un peligro de incendio.

- Las instalaciones sin capucha requieren un mínimo de 48" respecto de elementos combustibles.
- Una instalación de capucha a medida con superficies expuestas horizontales combustibles debe contar con una función de encendido automático.
- Para otras instalaciones con una capucha, consulte las instrucciones de instalación de capuchas sobre espacios específicos para capuchas.

⚠ PRECAUCIÓN:

Estas cocinas pesan hasta 700 libras. Desmontar algunos elementos reducen su peso en forma considerable. Debido al peso y tamaño de la cocina y para reducir el riesgo de lesiones personales o daños al producto:

SE REQUIEREN DOS PERSONAS PARA UNA INSTALACIÓN ADECUADA DE LAS COCINAS DE 36" Y 30".

SE REQUIEREN TRES PERSONAS PARA UNA INSTALACIÓN ADECUADA DE LAS COCINAS DE 48".

El control de pérdidas del aparato deberá realizarse según las instrucciones del fabricante. La instalación debe cumplir con los códigos locales. Si no existieran los códigos locales, la cocina debe cumplir con el Código de Gas Combustible Nacional, ANSIZ223.1/NFPA 54, última edición, y con el Código Eléctrico Nacional ANSI/NFPA 70, última incorporación. En Canadá, la instalación debe cumplir con el Código de Instalación de Gas Natural vigente, CAN/CGA-B149.1 o el Código de Instalación de Propano vigente, CAN/CGA-B149.2, y con los códigos locales, según corresponda. Esta cocina ha recibido la certificación de diseño de CSA International de acuerdo con ANSI Z21.1, última edición, y de Canadian Gas Association de acuerdo con CAN/CGA-1.1, última edición.

Información de diseño

CONTENIDOS

Información de diseño

Modelos disponibles.....	53
Requisitos de accesorios.....	53
Dimensiones y espacios del producto.....	54-57
Herramientas y materiales requeridos.....	58

Preparación para la instalación

Ubicaciones del suministro de energía.....	59
--	----

Instrucciones de instalación

Paso 1, Quite el empaque.....	60
Paso 2, Traslade la cocina al interior.....	61
Paso 3, Instale el dispositivo anti-volcaduras.....	62
Paso 4, Conecte la cocina al suministro de gas....	63
Paso 5, Conecte la electricidad.....	63, 64

Paso 6, Coloque la cocina en su posición.....	64
Paso 7, Nivele la cocina.....	65
Paso 8, Reemplace las puertas del horno.....	65
Paso 9, Controle los quemadores.....	66
Paso 10, Revise la operación de los quemadores de hornear del horno.....	66
Paso 11, Cómo ajustar el quemador de hornear en el obturador.....	67
Paso 12, Revise la operación del quemador asador del horno.....	67
Finalice la instalación.....	67
Lista de control de la instalación.....	67
Accesorios.....	68
Instalación de accesorios.....	69-71
Conversión de gas.....	72-76

MODELOS DISPONIBLES

Estas cocinas Monogram se encuentran configuradas de fábrica para gas natural o para gas LP. Solicite el modelo que se ajuste a su situación de instalación.

Modelos a gas natural de 48":

ZGP484NG – 4 quemadores a gas, parrilla y plancha
ZGP486NR – 6 quemadores a gas y parrilla
ZGP486ND – 6 quemadores a gas y plancha

Modelos a gas LP de 48":

ZGP484LG – 4 quemadores a gas, parrilla y plancha
ZGP486LR – 6 quemadores a gas y parrilla
ZGP486LD – 6 quemadores a gas y plancha

Modelos a gas natural de 36":

ZGP366N – 6 quemadores a gas
ZGP364NR – 4 quemadores a gas y parrilla
ZGP364ND – 4 quemadores a gas y plancha

Modelos a gas LP de 36":

ZGP366L – 6 quemadores a gas
ZGP364LR – 4 quemadores a gas y parrilla
ZGP364LD – 4 quemadores a gas y plancha

Modelo a gas natural de 30": ZGP304N

Modelo a gas LP de 30": ZGP304L

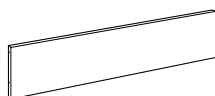
ACCESORIOS PARA SALPICADERO

Todos los modelos requieren un espacio mínimo de 12" respecto de una superficie combustible vertical en la parte trasera. Si el espacio es menor a 12", toda la superficie de la pared trasera superior y el ancho total de la cocina deben protegerse mediante un salpicadero. El salpicadero debe estar hecho de un material no combustible, como metal, cerámica, ladrillo, mármol u otra piedra.

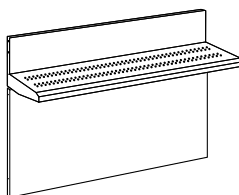
Dos accesorios disponibles para salpicadero:

- Se encuentra disponible el accesorio para salpicadero de acero inoxidable de 12" de altura. Utilice este salpicadero en combinación con un salpicadero a medida no combustible construido más allá de la altura de 12". La altura combinada del accesorio para salpicadero y el salpicadero a medida debe alcanzar la parte inferior de la capucha, o cuando no haya una capucha, 48" sobre la superficie de cocina.

- También se encuentra disponible un salpicadero con estante de altura ajustable de 30" a 36". Este salpicadero llena el espacio ubicado entre la parte superior de la cocina y la parte inferior de la capucha. El estante se encuentra ubicado de modo que las lámparas de calor de la parte inferior de la capucha Monogram profesional se hallen dirigidas hacia el estante.



Salpicadero de 12" de altura
ZX12B48PSS, para cocinas de 48" de ancho
ZX12B36PSS, para cocinas de 36" de ancho
ZX12B30PSS, para cocinas de 30" de ancho

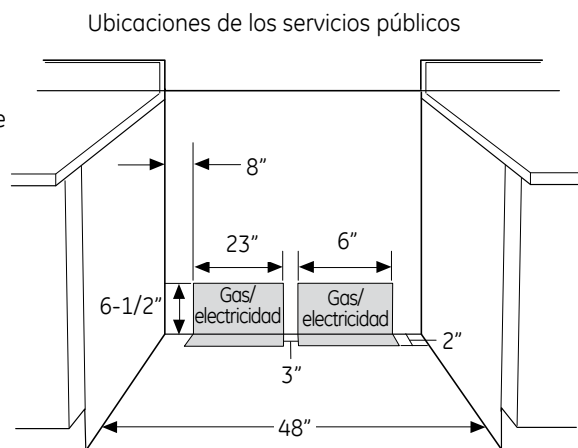
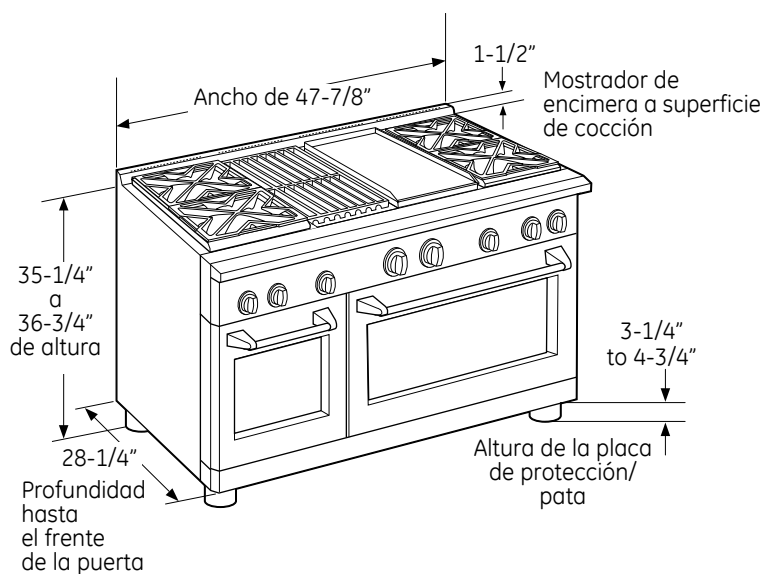


Salpicadero con estante de altura ajustable de 30" a 36"
ZXADJB48PSS, para cocinas de 48" de ancho
ZXADJB36PSS, para cocinas de 36" de ancho
ZXADJB30PSS, para cocinas de 30" de ancho

Información de diseño

DIMENSIONES Y ESPACIOS DEL PRODUCTO

Modelos de cocina de 48"

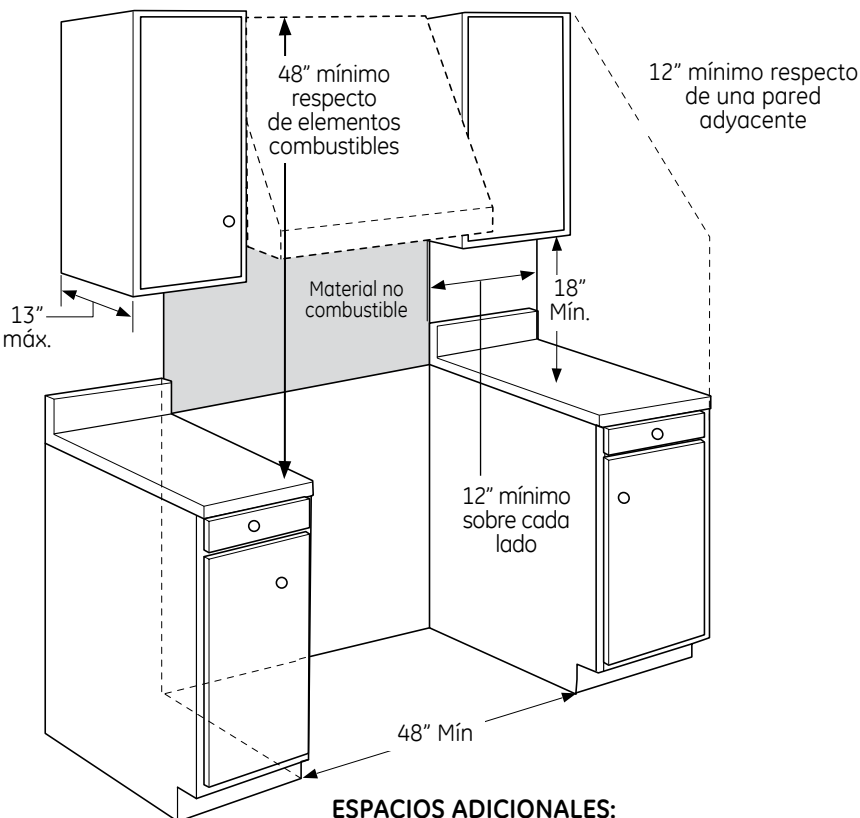


⚠️ ADVERTENCIA:

Las instalaciones sin capucha requieren un mínimo de 48" respecto de elementos combustibles. Una instalación de capucha a medida con superficies expuestas horizontales combustibles debe contar con una función de encendido automático. Consulte las instrucciones de instalación de la capucha para obtener espacios específicos de las capuchas.

La superficie de toda la pared trasera sobre la cocina y por debajo de la capucha debe cubrirse con un material no combustible como metal, cerámica, ladrillo, mármol u otra piedra.

NOTA: Todas las aberturas en el piso o pared detrás y debajo del aparato se deben sellar.



ESPACIOS ADICIONALES:

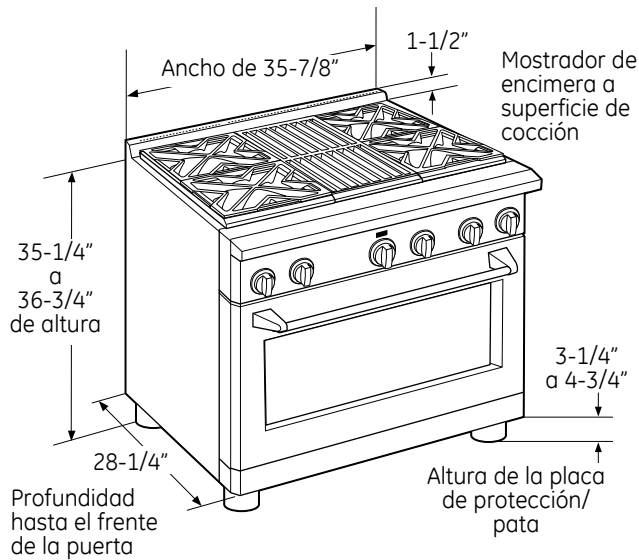
Deje un espacio mínimo de 12" respecto de una pared adyacente sobre cada lado.

Las áreas de trabajo adyacentes a la estufa deben contar con un espacio mínimo de 18" entre el mostrador de encimera y la parte inferior del gabinete de pared.

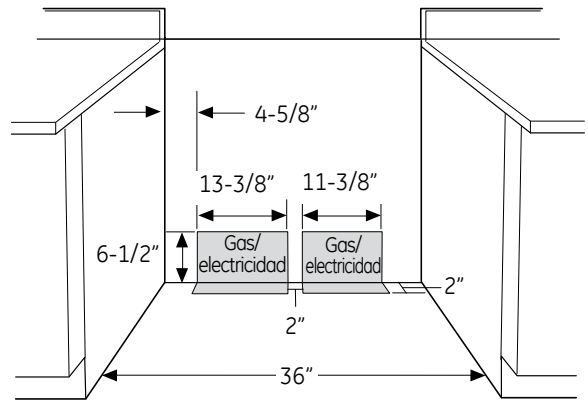
Información de diseño

DIMENSIONES Y ESPACIOS DEL PRODUCTO

Modelos de cocina de 36"



Ubicaciones de los servicios públicos



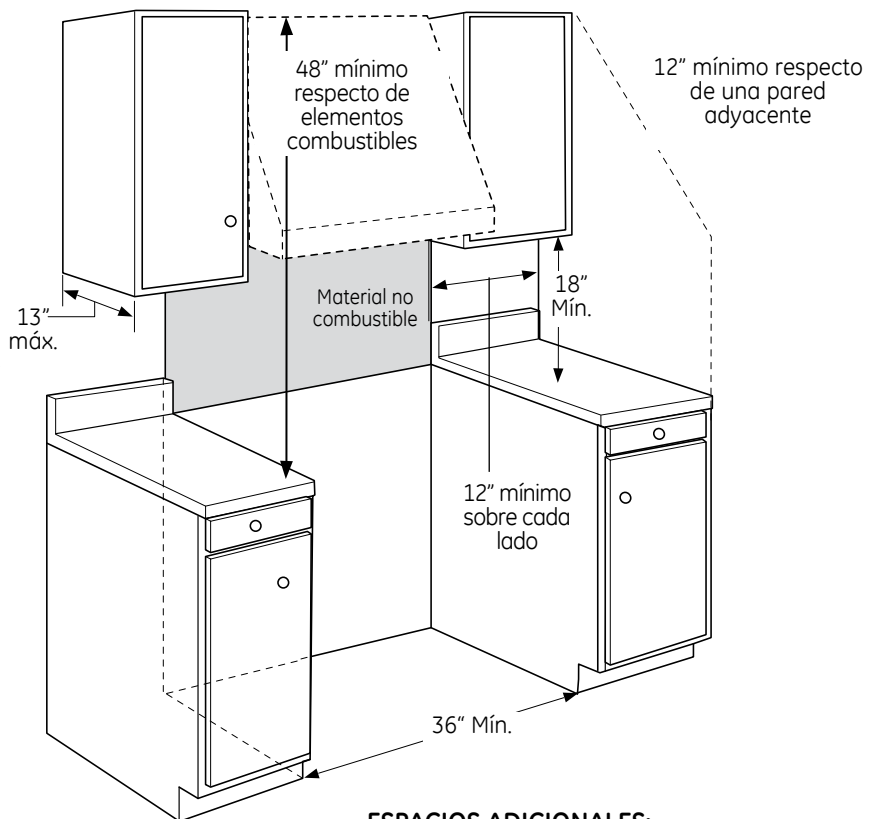
⚠ ADVERTENCIA:

Las instalaciones sin capucha requieren un mínimo de 48" respecto de elementos combustibles.

Una instalación de capucha a medida con superficies expuestas horizontales combustibles debe contar con una función de encendido automático. Consulte las instrucciones de instalación de la capucha para obtener espacios específicos de las capuchas.

La superficie de toda la pared trasera sobre la cocina y por debajo de la capucha debe cubrirse con un material no combustible como metal, cerámica, ladrillo, mármol u otra piedra.

NOTA: Todas las aberturas en el piso o pared detrás y debajo del aparato se deben sellar.



ESPACIOS ADICIONALES:

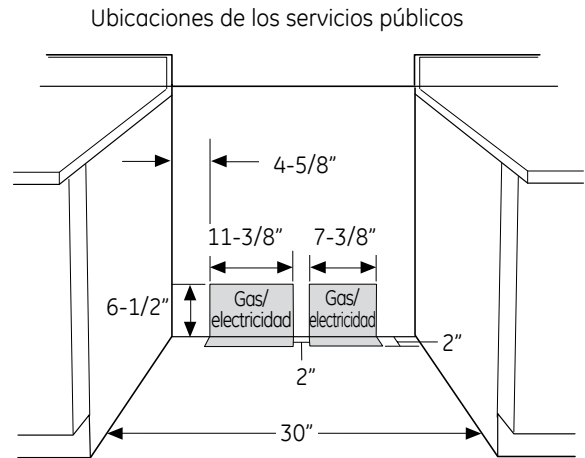
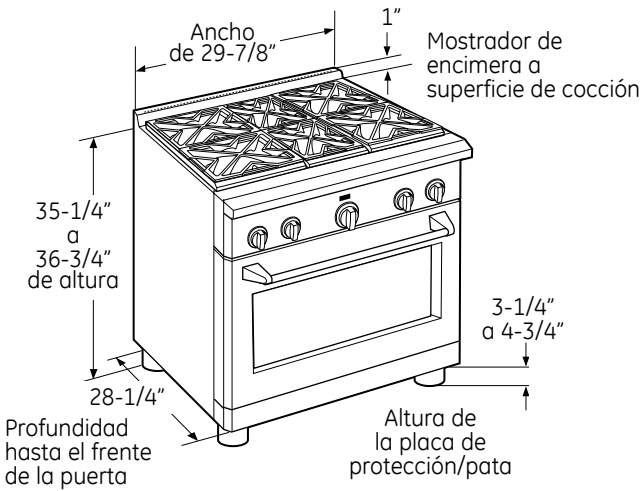
Deje un espacio mínimo de 12" respecto de una pared adyacente sobre cada lado.

Las áreas de trabajo adyacentes a la estufa deben contar con un espacio mínimo de 18" entre el mostrador de encimera y la parte inferior del gabinete de pared.

Información de diseño

DIMENSIONES Y ESPACIOS DEL PRODUCTO

Modelos de cocina de 30" de ancho

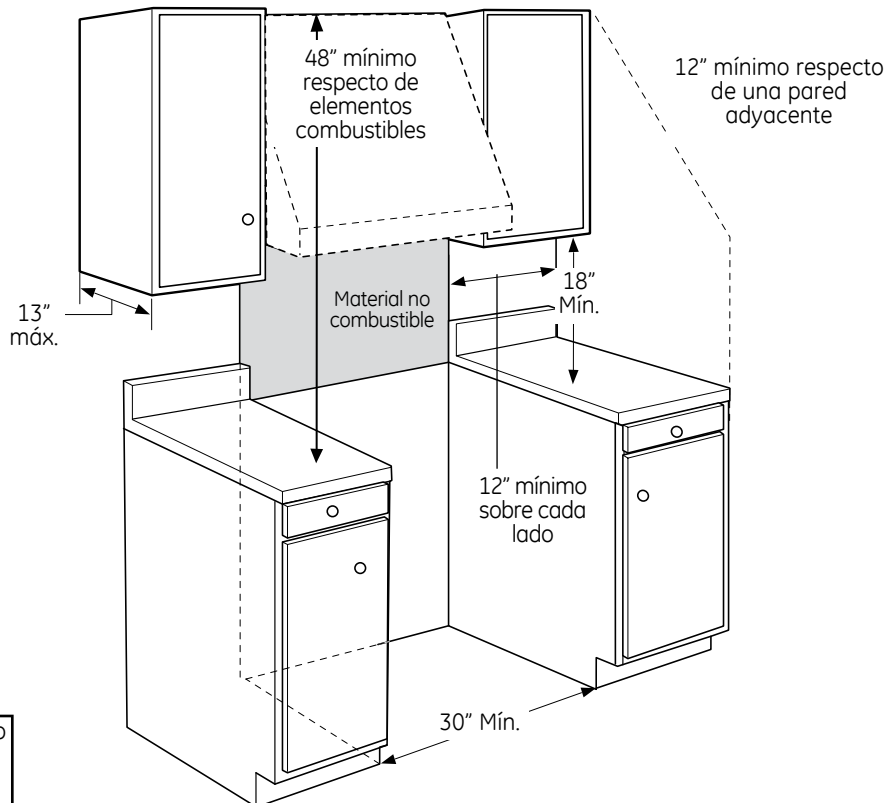


⚠ ADVERTENCIA:

Las instalaciones sin capucha requieren un mínimo de 48" respecto de elementos combustibles. Una instalación de capucha a medida con superficies expuestas horizontales combustibles debe contar con una función de encendido automático. Consulte las instrucciones de instalación de la capucha para obtener espacios específicos de las capuchas.

La superficie de toda la pared trasera sobre la cocina y por debajo de la capucha debe cubrirse con un material no combustible como metal, cerámica, ladrillo, mármol u otra piedra.

NOTA: Todas las aberturas en el piso o pared detrás y debajo del aparato se deben sellar.



ESPACIOS ADICIONALES:

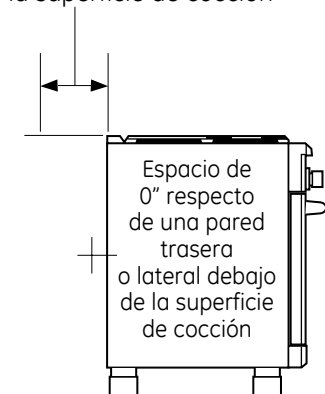
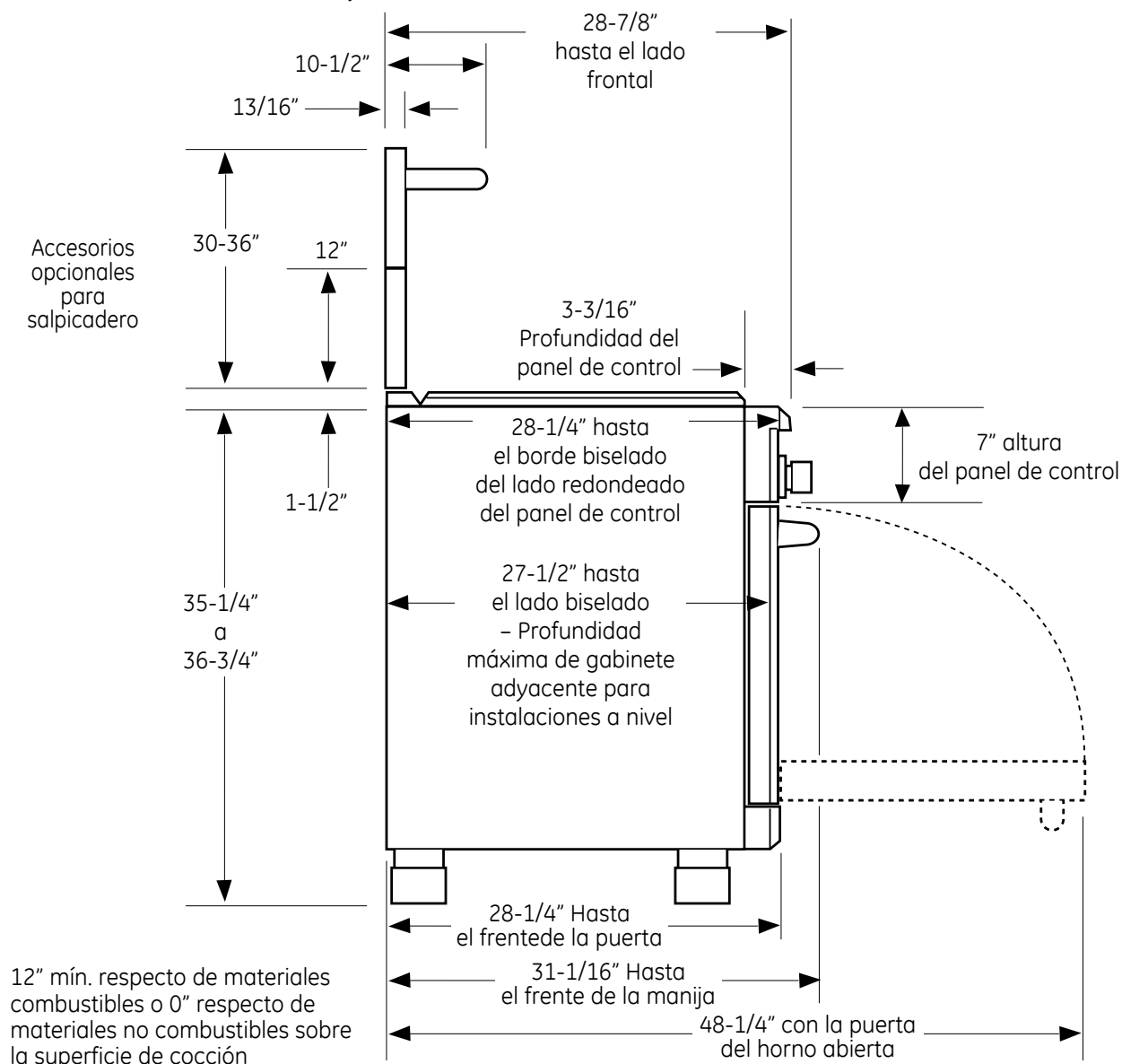
Deje un espacio mínimo de 12" respecto de una pared adyacente sobre cada lado.

Las áreas de trabajo adyacentes a la estufa deben contar con un espacio mínimo de 18" entre el mostrador de encimera y la parte inferior del gabinete de pared.

Información de diseño

DIMENSIONES Y ESPACIOS DEL PRODUCTO

Modelos de cocinas de 48", 36" y 30"



⚠ ADVERTENCIA:

El accesorio para salpicadero de acero inoxidable de 12" de altura debe instalarse en combinación con un salpicadero no combustible a medida.

El salpicadero terminado debe cubrir toda la pared trasera hasta la parte inferior de una capucha, o cuando no haya una capucha, 48" respecto de elementos combustibles.

Información de instalación

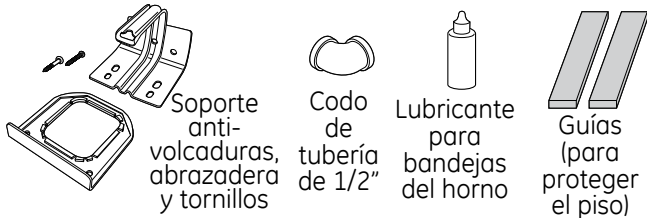
KIT PARA ALTITUDES ELEVADAS WB28K10553

Para el funcionamiento sobre 6.000 pies de altura, solicite el kit de conversión WB28K10553. Este kit incluye orificios para la utilización de gas LP y gas natural.

KIT DE REDUCCIÓN WB28K10554

(Para cocinas con espacio reducido)
El kit de reducción se utiliza con el modelo ZDP304N (sólo gas natural). Este kit incluye orificios para reducir la salida del quemador de superficie a 40.800 BTU.

MATERIALES PROVISTOS



HERRAMIENTAS REQUERIDAS



MATERIALES REQUERIDOS (NO PROVISTOS)



Longitud máxima de 5 pies, 5/8" DE. Suministro de gas de metal flexible aprobado por CSA (Longitud máxima de 3 pies sólo Massachusetts)

NOTA: Adquiera una línea flexible nueva; no utilice una línea de gas flexible previamente usada.

Preparación para la instalación

UBICACIONES DEL SUMINISTRO DE ENERGÍA

Suministro de gas:

- Los modelos de gas natural están diseñados para funcionar con una presión de columna de agua de 5". Para un funcionamiento adecuado, la presión del gas natural dirigido al regulador debe hallarse entre 7" y 13" de columna de agua.
- Los modelos de gas LP están diseñados para funcionar con una presión de columna de agua de 10". Para un funcionamiento adecuado, la presión del gas LP dirigido al regulador debe hallarse entre 11" y 13" de columna de agua.
- Ubique la toma de la tubería en la pared trasera o piso como se ilustra en "Dimensiones y espacios". Utilice una longitud máxima de 5 pies, una línea de suministro de gas flexible de 5/8" de DE (3 pies en Massachusetts).

Suministro eléctrico:

La estufa debe conectarse a tierra según los códigos locales, de acuerdo con el Código Eléctrico Nacional (ANSI/NFPA 70, última edición). En Canadá, la conexión eléctrica se debe hacer según el Código Eléctrico Canadiense CSA C22.1 Parte 1. Consulte la sección Conexiones eléctricas.

▲ PRECAUCIÓN

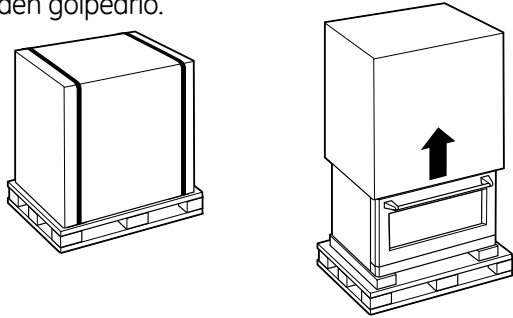
No intente operar el horno o la estufa durante una falla eléctrica

Instalación

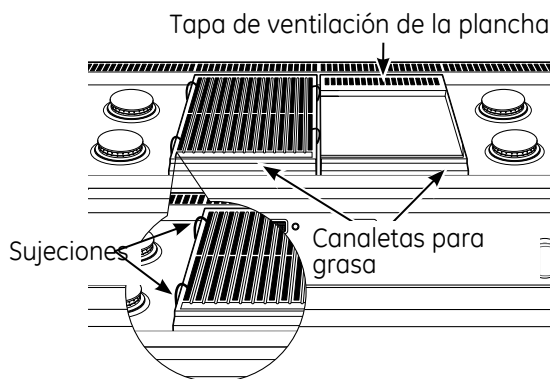
PASO 1 QUITE EL EMPAQUE

▲ PRECAUCIÓN

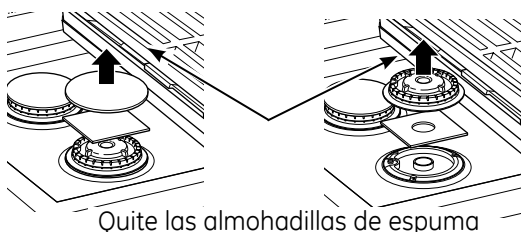
Mantenga una distancia prudencial. Cuando se cortan, los extremos de los precintos de metal pueden golpearlo.



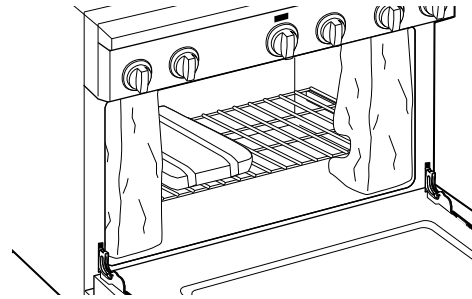
- Corte los precintos de metal. Levante la caja hacia arriba.
- Ubique las dos guías en la parte superior del empaque. Estas guías se utilizarán para proteger el piso de la cocina durante la instalación.
- Quite las protecciones de las esquinas. Deseche todo el material de empaque.
- Quite las tapas de la parrilla/plancha, la rejilla de la parrilla y las rejillas de los quemadores.
- Levante y quite la tapa de ventilación de la plancha de hierro fundido, las canaletas para grasa y las almohadillas.
- Corte las sujeciones que sostienen la rejilla de la parrilla al armazón de la parrilla.



- Levante las tapas de los quemadores y quite las almohadillas de espuma, luego levante los cabezales de los quemadores y quite las almohadillas de espuma.



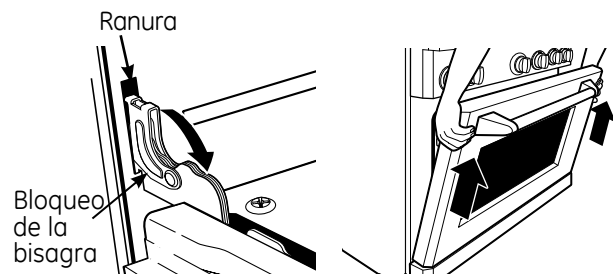
- Abra la(s) puerta(s) del horno y quite los elementos de empaque. Quite la asadera que sostiene el estante, la cinta, el paquete con las instrucciones, el lubricante de bandejas y la sonda.



▲ PRECAUCIÓN

Las puertas y pasillos que lleven a la ubicación de la instalación requieren de una abertura de por lo menos 32". Si la abertura es menor a los 32", deben quitarse la(s) puerta(s) del horno y las perillas de control.

QUITÉ LA(S) PUERTA(S) DEL HORNO SÓLO SI ES NECESARIO para trasladar la cocina a través de las puertas. Para evitar daños a los lados de la cocina, será necesario colocar almohadillas en las esquinas debajo de las cintas de la carretilla de mano.



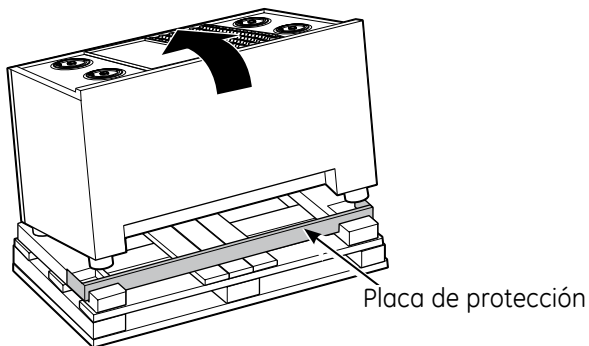
Para quitar la(s) puerta(s) del horno:

- Abra la puerta por completo.
- Cada bisagra cuenta con una traba de bisagra. Cierre la traba de bisagra hacia abajo contra el armazón de la puerta.
- Tome firmemente la puerta de los lados superiores.
- Cierre la puerta hasta una posición casi vertical.
- Levante la puerta hacia arriba y hálala hacia afuera.
- Quite las perillas de control halando de las mismas hacia afuera.

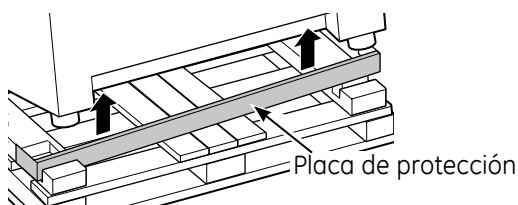
Preparación para la instalación

PASO 2 TRASLADAR LA COCINA AL INTERIOR

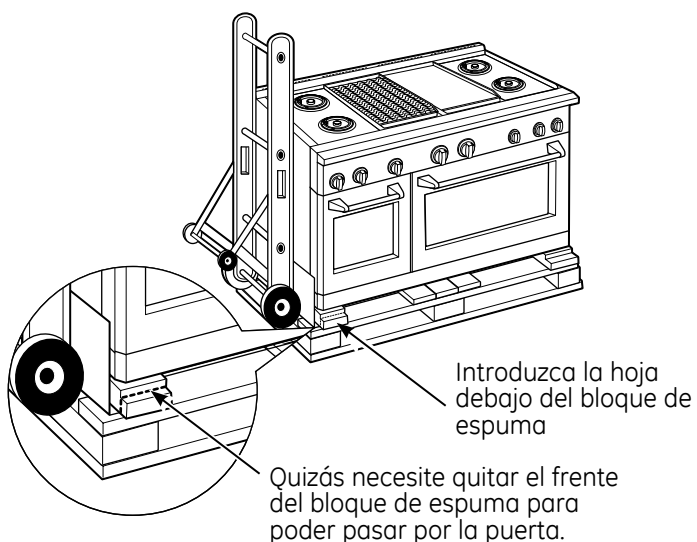
1 Incline la cocina hacia adelante sobre el patín.



2 Quite la placa de protección de la base de espuma.



3 Coloque la hoja de la carretilla de mano debajo del bloque de espuma.

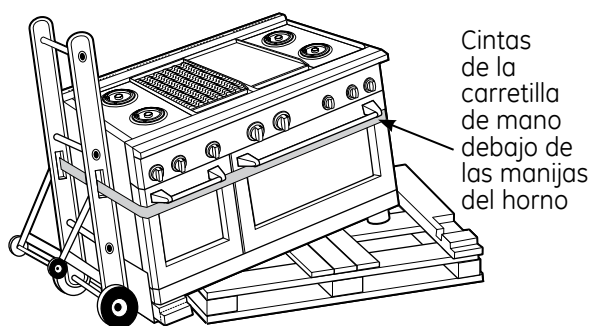


IMPORTANTE: No retire el bloque de espuma de la base mientras la carretilla elevadora se encuentre en uso. Coloque la hoja de la carretilla elevadora debajo del bloque de espuma de la base y transporte la sierra hasta la ubicación final.

4 Sujete las correas de la carretilla de mano alrededor de la unidad.

IMPORTANTE: Coloque las cintas de la carretilla de mano debajo de las manijas de la puerta del horno. A fin de evitar dañar los paneles laterales, coloque una almohadilla entre la carretilla de mano y la cocina.

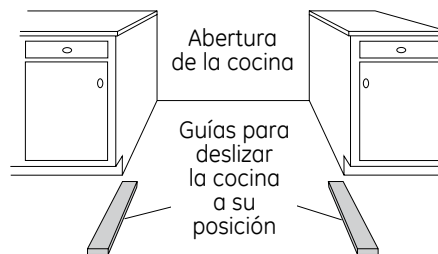
5 Incline la cocina para bajar las ruedas de la carretilla de mano del patín.



6 Coloque las guías del aparato sobre el piso en los lados izquierdo y derecho en frente de la abertura.

IMPORTANTE: Las guías brindan una superficie para deslizar la cocina a su posición final y protegen el acabado del piso. Las guías deben quitarse antes de nivelar la cocina.

7 Traslade la cocina al interior. Coloque la cocina frente a la ubicación de la instalación, sobre las guías.



Instalación

PASO 3 INSTALE EL DISPOSITIVO ANTI-VOLCADURAS



! ADVERTENCIA

- Todas las cocinas pueden volcarse.
- Pueden provocarse QUEMADURAS u otras LESIONES GRAVES.
- **INSTALE y CONTROLE** el soporte ANTI-VOLCADURAS siguiendo esta instrucciones.

Para reducir el riesgo de volcar la cocina, ésta debe sujetarse mediante un soporte anti-volcaduras con una adecuada instalación. Ver las instrucciones de instalación enviadas con el soporte para obtener detalles completos antes de iniciar la instalación.

Para controlar que el soporte esté instalado y sujetado de forma adecuada, observe la parte inferior de la cocina. El soporte anti-Volcaduras se debe insertar en la abertura correspondiente a la abrazadera anti-volcaduras de la cocina. Si el brazo del soporte pierde la abrazadera en la parte izquierda o derecha, o si el brazo del soporte no sobresale a través de la apertura de la abrazadera, la abrazadera se deberá volver a instalar.

Si la cocina se separa de la pared por cualquier razón, siempre repita este procedimiento para verificar que la cocina esté bien sujeta mediante el soporte anti-volcaduras.

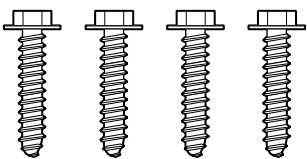
Si su cocina no cuenta con un soporte anti-volcaduras, llame al 1.800.626.8774 para recibir uno sin costo alguno.

Si el dispositivo anti-volcaduras suministrado con la cocina no es apto para la aplicación, utilice el dispositivo anti-volcaduras WB2X7909.

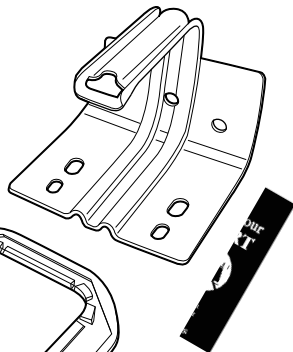
Lea el Folleto de seguridad anti-volcaduras de AHAM enviado con el soporte.

Piezas anti-volcaduras provistas

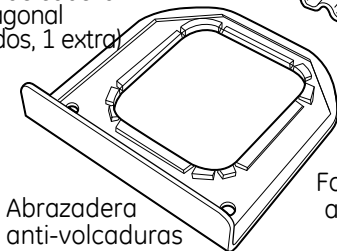
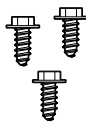
4 tornillos para madera



Soporte anti-volcaduras



3 tornillos de cabeza hexagonal (2 requeridos, 1 extra)

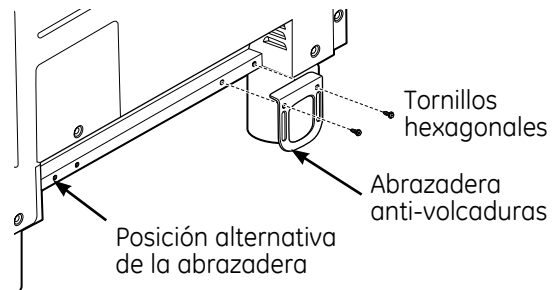


Abrazadera anti-volcaduras

Folleto de seguridad anti-volcaduras de AHAM

- Sujete la abrazadera anti-volcaduras a la parte inferior de la cocina en el área empotrada. Instale 2 tornillos hexagonales (provistos) a través de la abrazadera y dentro de la cocina.

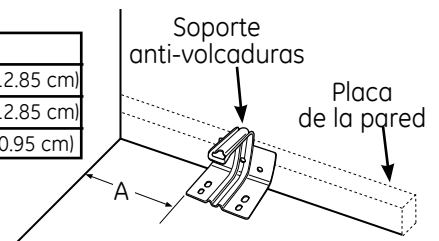
NOTA: Este dispositivo anti-volcaduras puede instalarse en el lado opuesto de la cocina.



- Mida y marque Dimensión A (vea la tabla abajo) desde el lado izquierdo (o derecho) de la ubicación de la instalación. Si el mostrador de encimera tiene una saliente, agregue esa dimensión a Dimensión A.
- Coloque el soporte anti-volcaduras contra el piso y pared trasera en la ubicación marcada. Marque los orificios de los tornillos para sujetar el soporte a la placa de la pared y el piso.
- Perfore orificios piloto de 1/8" a un ángulo de 20°.
- Sujete el soporte a la pared y/o piso mediante por lo menos 2 tornillos para madera (provistos).

Para construcciones de concreto o cemento: Deben utilizarse elementos de sujeción apropiados (no provistos).

La Cocina	A
30" (76 cm)	5-1/16" (12.85 cm)
36" (91 cm)	5-1/16" (12.85 cm)
48" (121 cm)	8-1/4" (20.95 cm)



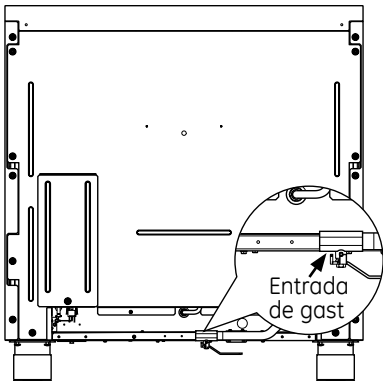
Instalación

PASO 4 CONECTE LA COCINA AL SUMINISTRO DE GAS

⚠ ADVERTENCIA

No utilice una llama para verificar pérdidas de gas. Asegúrese de que el suministro de gas esté apagado desde la válvula de apagado:

- Aplique sellador para roscas de tubería en la entrada de gas ubicada en la parte trasera de la cocina. Instale el codo de tubería de 1/2" (provisto) en la entrada de gas.
- Instale el conector de metal flexible de 5/8" de DE a la entrada de gas. Conecte el otro extremo del conector flexible al suministro doméstico de gas.
- Encienda el gas y verifique la presencia de pérdidas:
 - Utilice un detector de pérdidas líquido en todas las juntas y conexiones del sistema.



IMPORTANTE: Desconecte la cocina y la válvula individual de apagado del sistema de tuberías de suministro de gas durante cualquier prueba de presión del sistema a presiones de prueba mayores a 1/2 psig. La cocina debe aislarse del sistema de tuberías de suministro de gas cerrando la válvula individual de apagado durante cualquier puesta a prueba del sistema de suministro de gas en presiones de prueba iguales o menores a 1/2 psig.

NOTA: Esta cocina se encuentra equipada con una válvula de apagado ubicada en la parte superior de la cocina, debajo de la ventilación trasera. Esta válvula de apagado debe utilizarse en caso de que se necesiten reparaciones en el futuro.

PASO 5 CONEXIÓN ELÉCTRICA

Requisitos eléctricos

Un circuito exclusivo de 120 voltios, 60 Hertz, correctamente conectado a tierra protegido por un interruptor de circuitos de 15 ó 20 amperios o un fusible con retardo de tiempo.

PASO 5 CONEXIÓN ELÉCTRICA (Cont.)

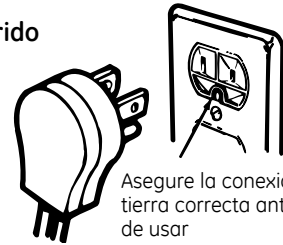
Precauciones con el cable de extensión

Por riesgos potenciales de seguridad relacionados con ciertas condiciones, recomendamos enfáticamente abstenerse del uso de un cable de extensión. Sin embargo, si usted elige usar un cable de extensión, es absolutamente necesario que sea un cable de extensión que cumpla con los requisitos de UL, para aparatos con conexión a tierra de 3 cables y que la calificación de carga de corriente del cable en amperios sea equivalente, o mayor que la calificación del circuito.

Conexión a tierra

IMPORTANTE (Lea atentamente)

Método preferido



Asegure la conexión a tierra correcta antes de usar

POR SEGURIDAD PERSONAL, ESTE APARATO SE DEBE CONECTAR A TIERRA CORRECTAMENTE.

El cable eléctrico de este aparato está equipado con un enchufe de tres patas (con conexión a tierra) que encaja en un receptáculo de pared estándar de tres patas para reducir la posibilidad de choque eléctrico por causa de este aparato.

El cliente debe hacer que un electricista calificado revise el receptáculo de pared y el circuito para asegurar que el receptáculo esté correctamente conectado a tierra

Donde se encuentre un receptáculo de pared de dos patas, es responsabilidad personal del cliente de reemplazarlo por un receptáculo de pared de tres patas correctamente conectado a tierra.

BAJO NINGUNA CIRCUNSTANCIA, NO CORTE NI ELIMINE LA TERCERA PATA (CONEXIÓN A TIERRA) DEL CABLE ELÉCTRICO.

Un mensaje acerca de los interruptores con falla a tierra (GFCI, en inglés) – No se recomiendan los GFCI para los receptáculos de estufa de gas.

Los Interruptores de circuitos con falla a tierra son dispositivos que perciben el escape de corriente en un circuito y se apagan automáticamente cuando se detecta un nivel umbral de fuga. El consumidor debe reinicializar manualmente estos circuitos. El Código Eléctrico Nacional exige el uso de GFCIs en receptáculos de cocina instalados para las superficies de mostradores. El desempeño de la estufa no se afectará si se opera en un circuito protegido por un CFCI pero puede ser posible que ocasionalmente el interruptor CFCI se salte.

Instalación

PASO 5 CONEXIÓN ELÉCTRICA (Cont.)

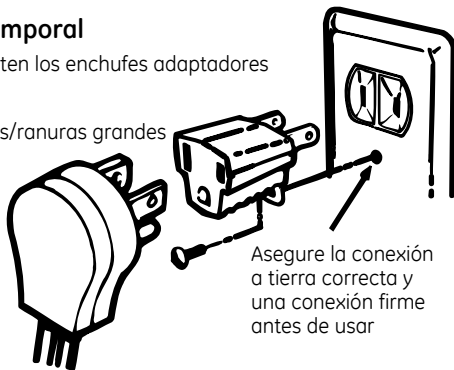
Situaciones de uso en las cuales el cable eléctrico del aparato se desconectará con poca frecuencia.

Se puede usar un adaptador únicamente en un circuito de 15 amperios. No use un adaptador en un circuito de 20 amperios. Donde lo permitan los códigos locales, se puede hacer una **CONEXIÓN TEMPORAL** a un receptáculo de pared de dos patas correctamente conectado a tierra mediante el uso de un adaptador UL, disponible en la mayoría de las ferreterías. La ranura más grande en el adaptador se debe alinear con la ranura más grande en el receptáculo de pared para ofrecer la polaridad correcta en la conexión del cable eléctrico.

Método temporal

(No se permiten los enchufes adaptadores en Canadá)

Alinee las patas/ranuras grandes



Asegure la conexión a tierra correcta y una conexión firme antes de usar

⚠ PRECAUCIÓN: Instalar el terminal a tierra del adaptador al tornillo de la tapa del receptáculo de pared no logra la conexión a tierra del aparato a menos que el tornillo de la tapa sea metálico y no esté aislado y el receptáculo de pared esté conectado a tierra por medio del cableado de la casa. El cliente debe hacer que un electricista calificado revise el circuito para verificar que el receptáculo esté correctamente conectado a tierra.

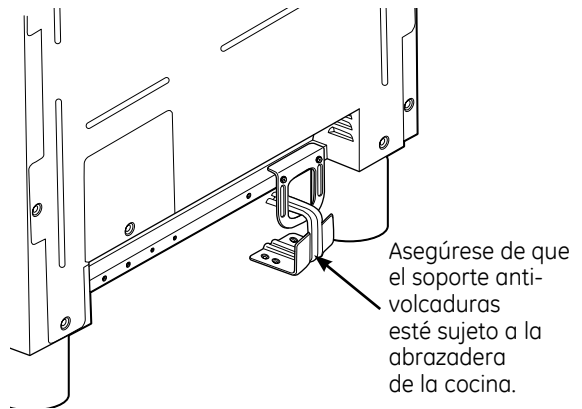
Al desconectar el cable eléctrico del adaptador, siempre sostenga el adaptador con una mano. Si esto no se hace, es probable que el terminal a tierra del adaptador se rompa con el uso repetido. Si esto ocurre, **NO USE** el aparato hasta que se haya establecido nuevamente la conexión a tierra.

PASO 6 COLOQUE LA COCINA EN SU POSICIÓN

⚠ ADVERTENCIA

El soporte anti-volcaduras debe instalarse adecuadamente para evitar la volcadura accidental de la cocina. No hacerlo puede provocar daños o lesiones graves.

- Asegúrese de que las guías del aparato se encuentren debajo de las ruedas.
- La cocina se envía con la ruedas en la posición baja. Con mucho cuidado deslice la cocina a su posición, asegurándose de no enroscar o pellizcar el cable de energía y la tubería flexible de gas.
- Quite las guías ubicadas debajo de la cocina.



Instalación

PASO 7 NIVELE LA COCINA

⚠ ADVERTENCIA

La cocina debe estar nivelada y sostenida por las patas, no por la ruedas. La cocina podría desplazarse si la ruedas hacen contacto con el piso. Asegúrese de que todas las patas estén en contacto con el piso en cualquier instalación.

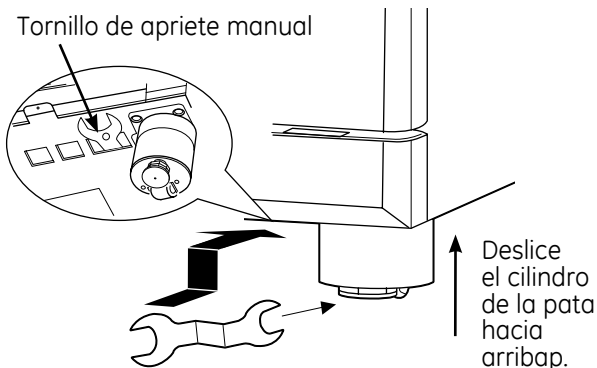
- Todas las patas deben nivelarse después de que el producto se haya instalado.
- Asegúrese de que los gabinetes/mostradores de encimera cercanos se encuentren nivelados, desde el frente a la parte trasera y de izquierda a derecha a lo largo de la abertura de la cocina.
- Mida la distancia desde el piso hasta el extremo superior del mostrador de encimera en las esquinas traseras izquierda y derecha.
- Ajuste la altura de la cocina a la altura del mostrador de encimera o a una altura superior.

IMPORTANTE: Esta cocina siempre debe instalarse a la altura del mostrador de encimera o a una altura superior. **NO INSTALE LA COCINA POR DEBAJO DE LA ALTURA DEL MOSTRADOR DE ENCIMERA ADYACENTE.** Esta cocina debe hallarse sostenida por las 4 patas, independientemente de la altura del mostrador de encimera.

AJUSTE DE LAS PATAS DELANTERAS

- Deslice los cilindros delanteros hacia arriba para ajustar las patas niveladores delanteras. Tenga cuidado de no dañar el cilindro.
- El aparato cuenta con una llave para nivelar las patas. Busque debajo del frente de la cocina cerca del lado derecho. Ubique y quite un tornillo de apriete manual y luego saque la llave de la ranura.

Tornillo de apriete manual



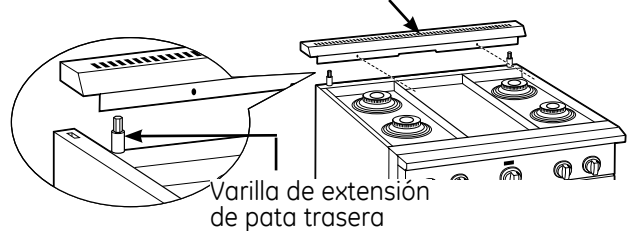
- Utilice la llave suministrada para girar las patas niveladoras delanteras. Gire en sentido de las agujas del reloj para levantar la cocina sobre las ruedas. Gire en sentido contrario a las agujas del reloj para bajar las patas.
- Asegúrese de volver a colocar la llave en su ranura de almacenamiento para usos posteriores.

PASO 7 NIVELE LA COCINA (cont.)

AJUSTE DE LAS PATAS TRASERAS

- Quite dos tornillos del reborde de ventilación trasero. Deslice el reborde de ventilación hacia adelante y luego levántelo.
- Busque las dos varillas de extensión de las patas traseras. Utilice una llave de cubo o llave de 1/4" para ajustar las patas traseras izquierda o derecha.

Reborde de ventilación trasero



- Reemplace el reborde de ventilación trasero utilizando los tornillos originales.

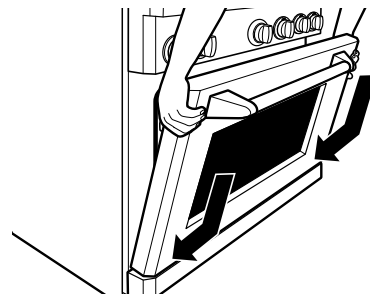
PASO 8 REEMPLACE LAS PUERTAS DEL HORNO

Saltee este paso si las puertas del horno se encuentran en su lugar.

IMPORTANTE: No levante la puerta tomándola de la manija. Para reemplazar las puertas del horno:

- **Tome firmemente la puerta de los lados superiores. Esto es fundamental.**
- Acérquese a la cocina con la puerta en posición vertical.
- Guíe las bisagras dentro de las ranuras.
- Presione la puerta firmemente hacia adentro mientras la abre.
- Una vez que esté en su posición, abra la puerta por completo.

Presione las trabas de la bisagra hacia adentro y hacia el armazón frontal.

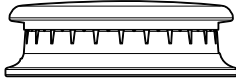


⚠ PRECAUCIÓN: Tenga cuidado al reemplazar las puertas del horno. Si la traba de la bisagra no se encuentra bien bloqueada, la bisagra puede saltar y separarse. Si la bisagra se separa, debe aplicarse presión (posiblemente con el pie) para unirla y enganchar de nuevo la traba de la bisagra.

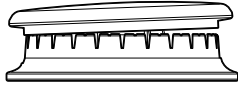
Instalación

PASO 9 CONTROLE LOS QUEMADORES

Asegúrese de que los cabezales y las tapas de los quemadores estén bien colocados.



Tapa del quemador bien colocada



Tapa del quemador mal colocada

- Asegúrese de contar con un encendido adecuado:
 - Presione hacia adentro una perilla de control y gire a la posición LITE (encendido).
 - El encendedor generará chispas y el quemador se encenderá; el encendedor dejará de chispear cuando el quemador se haya encendido.
 - La primera vez puede tomar más tiempo, mientras se purga el aire de la línea de gas.
 - Gire la perilla a OFF (apagado).
 - Repita el procedimiento para cada quemador.

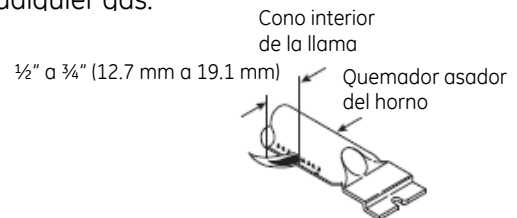
IMPORTANTE: Si los electrodos del encendedor siguen chispeando después de que los quemadores se hayan encendido, controle que los componentes de todos los quemadores estén bien instalados. Consulte el Manual del propietario.

- Las llamas de los quemadores deben ser azules y estables sin puntas amarillas, ruidos excesivos o elevaciones de la llama del quemador. Si existiera alguna de estas condiciones, controle que las bocas de los quemadores no se encuentren bloqueadas. Si alguna de estas condiciones continúa, llame al servicio técnico.

PASO 10 REVISE LA OPERACIÓN DE LOS QUEMADORES DE HORNEAR DEL HORNO

- A. Retire la base del horno y el difusor (consulte las secciones 6A y B de las instrucciones de instalación de la conversión, página 24).
- B. Para operar el quemador de hornear, gire la perilla selectora de modalidad del horno a la posición Bake y gire la perilla de la temperatura del horno a 350. Después de 30 a 90 segundos, se prenderá el quemador.

Las llamas deben ser constantes, conos azules aproximadamente de 1" Y, si la estufa opera con gas natural, no deben tener puntas amarillas. Con la mayoría de gas LP, las puntas amarillas pequeñas en el extremo de los conos de gas exteriores son normales. El cono interior de la llama debe ser entre 1/2" y 3/4" de largo para cualquier gas.



- C. Realice la misma revisión en el horno acompañante, si lo hay.

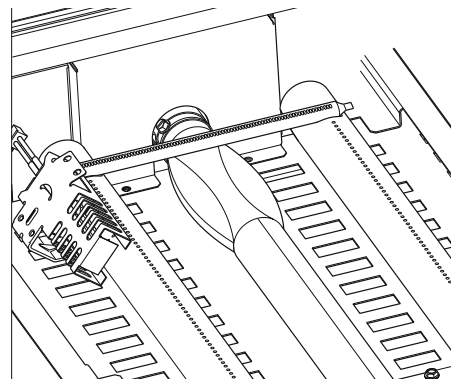
PASO 11 CÓMO AJUSTAR EL QUEMADOR DE HORNEAR EN EL OBTURADOR (si es necesario)

Para ajustar el obturador:

1. Si las llamas están amarillas, abra el obturador de aire más allá del nivel original.
2. Si las llamas fluctúan o se alejan del quemador, cierre el obturador de aire más allá del nivel original.

Se puede lograr acceso al obturador de aire para el quemador de hornear al quitar el quemador.

- A. Con un destornillador, afloje el tornillo de ajuste del obturador de aire.



Instalación

PASO 11 CÓMO AJUSTAR EL QUEMADOR DE HORNEAR EN EL OBTURADOR (Cont.)

- B. Haga el ajuste al obturador de aire.
- C. Vuelva a apretar el tornillo del obturador de aire.
- D. Revise que el cono interior de la llama esté entre $\frac{1}{2}$ " y $\frac{3}{4}$ " (12.7 mm y 19.1 mm) de largo.

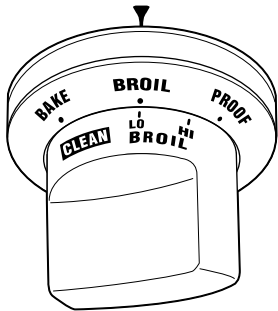
Después de confirmar la operación correcta del quemador, reemplace todas las partes.

PASO 12 REVISE LA OPERACIÓN DEL QUEMADOR DEL ASADOR DEL HORNO

El quemador del asador debe encenderse y calentarse hasta por 3 minutos antes de la operación de revisión.

1. Para operar el quemador asador, gire la perilla selectora de modalidad del horno a la posición Broil y gire la perilla de la temperatura a Broil Hi. Después de 30 a 90 segundos, el quemador se encenderá.

Debe haber una manta uniforme de llama cubriendo toda la superficie de la pantalla que es azul y apenas visible, aproximadamente $\frac{1}{4}$ " de largo. Después de aproximadamente 3 minutos, el área de la pantalla debe empezar a verse de color naranja.



2. Realice la misma revisión en el horno acompañante, si lo hay.

Si la llama es larga y débil, verifique que el orificio correcto esté instalado y el regulador esté convertido correctamente para su suministro de gas.

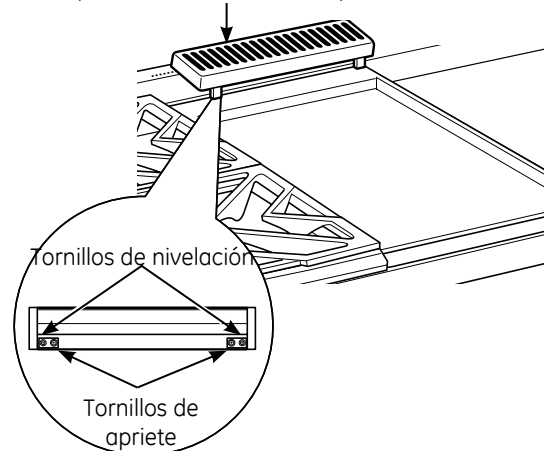
FINALICE LA INSTALACIÓN

Coloque las rejillas de los quemadores sobre los quemadores. Las rejillas deben estar bien asentadas y no deben moverse.

La plancha se halla sujeta con tornillos. Se encuentra diseñada para permanecer en un lugar fijo y no debe quitarse.

La plancha cuenta con dos tornillos de nivelación debajo de tapa de ventilación trasera que pueden usarse para ajustar la inclinación deseada.

Tapa de ventilación de la plancha



Los dos tornillos internos son tornillos de apriete para asegurar la plancha en su lugar. Afloje los dos tornillos antes de nivelar. No quite estos dos tornillos.

Los dos tornillos exteriores son tornillos de nivelación. No quite estos dos tornillos. Pueden girarse para nivelar la plancha o para brindar una inclinación hacia adelante para que las grasas y aceites se escurran de los alimentos que se están cocinando.

Después de nivelar la plancha, ajuste los tornillos de apriete a mano; no ajuste de más.

LISTA DE CONTROL DE LA INSTALACIÓN

- Verifique que todos los controles queden en la posición OFF (apagado).
- Asegúrese de que la corriente de aire de combustión y de ventilación hacia la cocina no esté obstruida.
- Vuelva a chequear los pasos: Constate dos veces que todos los puntos de este manual se hayan completado. Volver a chequear los pasos garantizará un uso seguro de la cocina.

NOTA: La placa de clasificación se encuentra en la parte inferior del panel de control y puede verse cuando se abre la puerta del horno. El número de modelo y de serie se encuentra detrás de la perilla izquierda y puede verse cuando se quita la perilla.

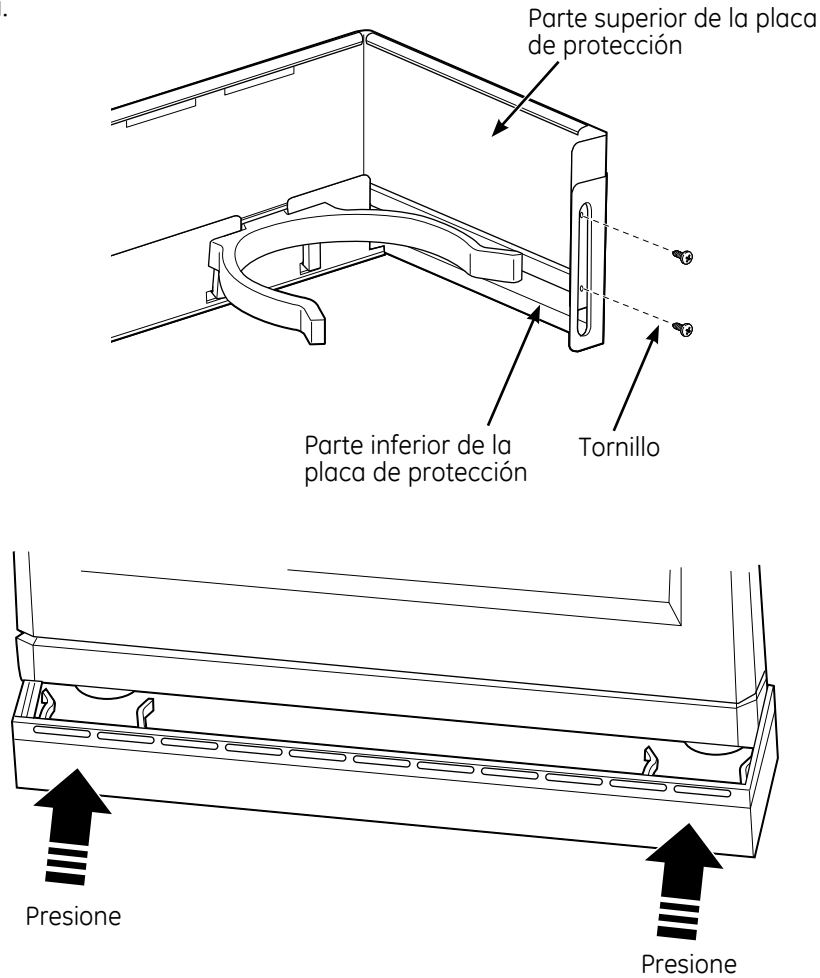
Instalación

ACCESORIOS – PLACA DE PROTECCIÓN (PROVISTO)

- Instale la placa de protección después de que se haya nivelado la cocina.
- Mida la distancia entre el piso y la parte inferior de la cocina.
- Afloje los dos tornillos de cada extremo. Ajuste la altura de la placa de protección separando las piezas superiores e inferiores en 1/8" menos que la altura medida.

- Fije las secciones superior e inferior ajustando los 2 tornillos de cada extremo.
- Presione la placa de protección contra la pata de la cocina hasta que se trabe sobre las patas.

NOTA: Asegúrese de que la placa de protección quede bien sujeta a la pata.



Instalación de accesorios ZX12B30PSS, ZX12B36PSS, ZX12B48PSS

ACCESORIOS OPCIONALES – SALPICADERO ALTO DE 12"

⚠ ADVERTENCIA:

Para prevenir el encendido de materiales combustibles, debe protegerse toda la pared trasera de la cocina mediante un salpicadero construido con un material no combustible.

El accesorio para salpicadero de acero inoxidable debe instalarse en combinación con un salpicadero no combustible a medida construido más allá de la altura de 12" del salpicadero.



ANTES DE COMENZAR

Lea estas instrucciones por completo y con detenimiento.

IMPORTANTE: Guarde estas instrucciones para el uso de inspectores locales.

IMPORTANTE: CUMPLA CON TODOS LOS CÓDIGOS Y ORDENANZAS VIGENTES.

NOTA AL INSTALADOR: Asegúrese de dejar estas instrucciones al consumidor.

NOTA AL CONSUMIDOR: Conserve estas instrucciones con el Manual del propietario para referencia futura.

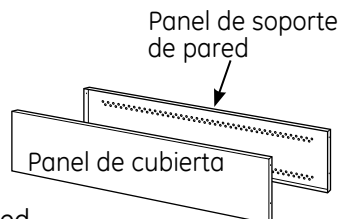
Este kit provee los materiales necesarios para la instalación de salpicaderos de 12" de altura para cocinas y estufas profesionales Monogram de 30", 36" o 48".

HERRAMIENTAS Y MATERIALES REQUERIDOS

- Guantes para protegerse de los bordes filosos
- Destornilladores T-15 y de estrella #2
- Perforadora eléctrica con mechas de 3/32" y 9/64" bits
- Gafas de seguridad
- Nivel
- Lápiz

Este kit incluye

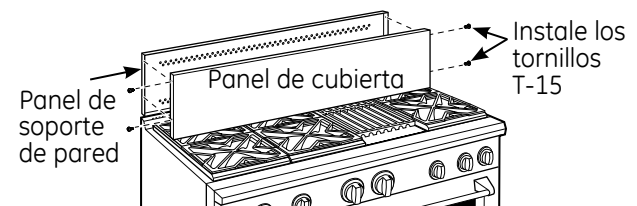
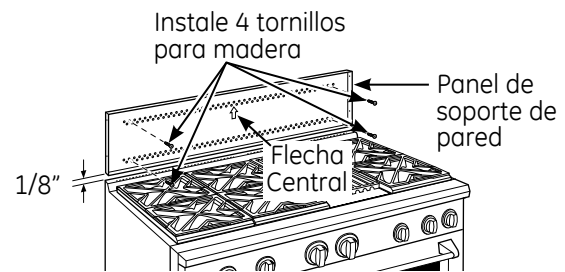
- Panel de soporte de pared
- Panel de cubierta
- Paquete de ferretería con
 - 5 tornillos auto-roscantes #8 Torx 15 de acero inoxidable
 - 5 tornillos de estrella #2 para madera de cabeza troncocónica #10



INSTALE EL SALPICADERO DE 12"

⚠ **ADVERTENCIA:** Este salpicadero debe estar bien sujeto a la pared. No hacerlo puede provocar daños o lesiones personales.

- Instale y nivele la cocina o estufa y la capucha de la cocina de acuerdo con las instrucciones de instalación.
- Quite el empaque y la película protectora del salpicadero.
- Utilice un nivel para marcar con lápiz una línea horizontal sobre la pared, 1/8" sobre la cocina o estufa. El espacio de 1/8" permite que el panel de cubierta se superponga con el panel de soporte de pared.
- Ubique los parantes en ambos lados. Donde no haya parantes disponibles, utilice anclajes de pared (no provistos).
- Alinee el panel de soporte de pared sobre la línea horizontal marcada y centrada de izquierda a derecha.
- El panel de soporte de pared debe fijarse a la pared en las 4 esquinas. Utilice tornillos para madera (provistos) o anclajes de pared (no provistos) para fijar el panel de soporte a la pared.
- Coloque el panel de protección sobre el panel de soporte de pared y fije con tornillos Torx (provistos). Instale 2 tornillos en cada lado.



Instalación de accesorios ZXADJB30PSS, ZXADJB36PSS, ZXADJB48PSS

ACCESORIOS –SALPICADERO AJUSTABLE DE 30" A 36" (no incluido)

⚠ ADVERTENCIA:

Para prevenir el encendido de materiales combustibles, debe protegerse toda la pared trasera de la cocina mediante un salpicadero construido con un material no combustible.



ANTES DE COMENZAR

Lea estas instrucciones por completo y con detenimiento.

IMPORTANTE: Guarde estas instrucciones para el uso de inspectores locales.

IMPORTANTE: CUMPLA CON TODOS LOS CÓDIGOS Y ORDENANZAS VIGENTES.

NOTA AL INSTALADOR: Asegúrese de dejar estas instrucciones al consumidor.

NOTA AL CONSUMIDOR: Conserve estas instrucciones con el Manual del propietario para referencia futura.

- Este salpicadero puede ajustarse para poder utilizarse en el espacio entre la parte superior de la cocina y la parte inferior de la capucha, con una altura mínima de 30" y una máxima de 36".
- El peso máximo de capacidad de carga del estante es de 40 lbs.

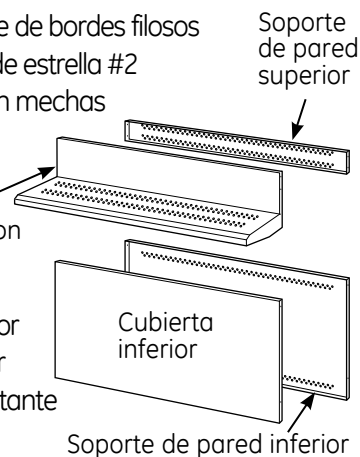
HERRAMIENTAS Y MATERIALES REQUERIDOS

- Guantes para protegerse de bordes filosos
- Destornilladores T-15 y de estrella #2
- Perforadora eléctrica con mechas de 3/32" y 9/64"

- Gafas de seguridad
- Nivel
- Lápiz

Este kit incluye

- Soporte de pared superior
- Soporte de pared inferior
- Cubierta superior con estante
- Cubierta inferior
- Paquete de ferretería con
 - 9 tornillos auto-roscantes #8 Torx 15 de acero inoxidable
 - 9 tornillos de estrella #2 para madera de cabeza troncocónica #10
 - 3 tornillos de cabeza segmentada #10 de acero inoxidable #2 (para un método de instalación alternativo)



Paquete de ferretería

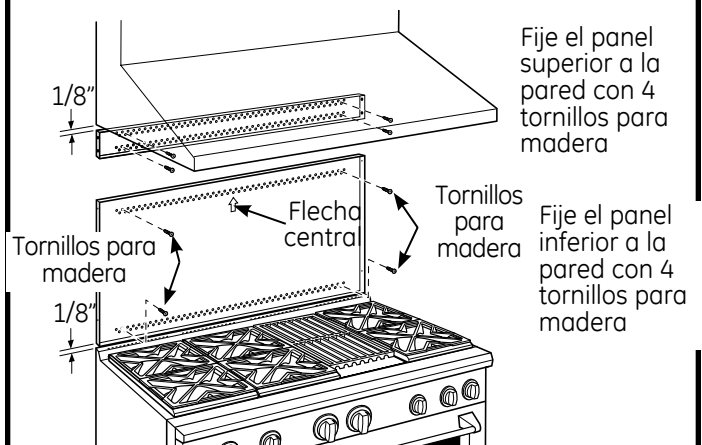
INSTALE LOS PANELES DE SOPORTE DE PARED

⚠ ADVERTENCIA: Los paneles de soporte de pared deben estar bien sujetos a la pared. No hacerlo puede provocar daños o lesiones personales.

IMPORTANTE: Este salpicadero se encuentra diseñado para cubrir la pared entre la parte inferior de la capucha y la parte superior de la cocina. La capucha de ventilación debe instalarse sobre la estufa o cocina antes de instalar el salpicadero.

- Instale y nivele la cocina/estufa de acuerdo con las instrucciones de instalación del producto.
- Quite el empaque y la película protectora del salpicadero.
- Ubique los parantes en ambos lados. Donde no haya parantes disponibles, utilice anclajes de pared (no provistos).
- Utilice un nivel para marcar con lápiz 2 líneas horizontales sobre la pared, una 1/8" por debajo de la capucha de ventilación y la otra 1/8" por encima de la cocina/estufa. El espacio de 1/8" permite que los paneles de cubierta se superpongan con los soportes de pared.
- Fije el panel de soporte de pared superior a la pared con 4 tornillos para madera, a través de los parantes exteriores.
- Utilice 4 tornillos para madera para fijar el panel de soporte de pared inferior. La ranura central debe ubicarse en la parte superior.

El espacio entre los paneles de soporte superior e inferior se cubrirá con la cubierta superior con estante.

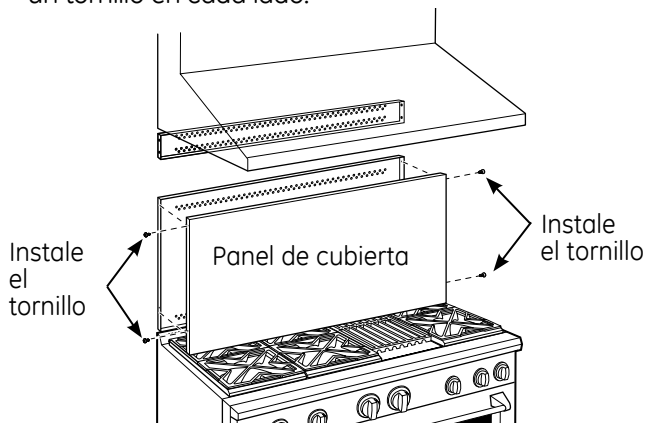


Instalación de accesorios ZXADJB30PSS, ZXADJB36PSS, ZXADJB48PSS

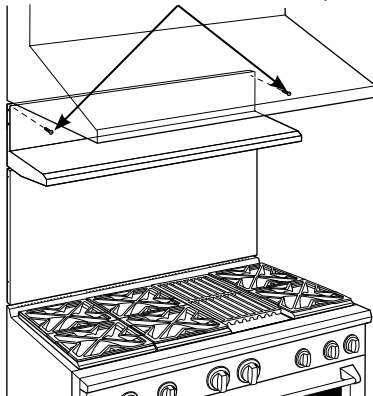
INSTALE LOS PANELES DE CUBIERTA

Ver el método alternativo si el acceso lateral se encuentra bloqueado.

- Sostenga la cubierta inferior sobre el soporte inferior mientras coloca un tornillo (provisto) sobre cada lado.
- Coloque la cubierta superior con estante sobre el soporte de pared superior. Si tiene acceso a los lados, fije el panel con dos tornillos de cada lado.
- Fije la cubierta superior con estante al soporte superior con tornillos a través de la parte frontal del panel, en las esquinas superiores. Utilice un tornillo en cada lado.



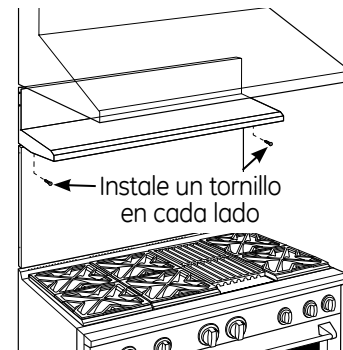
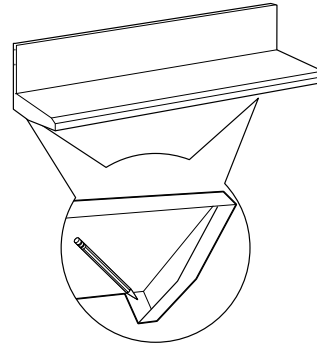
Instale tornillos en las esquinas



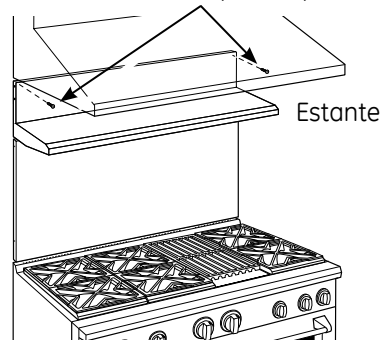
INSTALE LOS PANELES DE CUBIERTA (cont.)

MÉTODO ALTERNATIVO: Cuando el acceso lateral se encuentra bloqueado.

- Instale la cubierta inferior sobre el soporte inferior mientras coloca un tornillo sobre cada lado.
- Sostenga la cubierta superior en su lugar mientras marca las ubicaciones de los tornillos, apenas debajo del soporte de estante y sobre la cubierta inferior.
- Quite el estante y perforo un orificio de 9/64" de diámetro en las ubicaciones marcadas con lápiz.
- Monte la cubierta superior sobre el soporte superior y fije la cubierta frontal con tornillos a través de los orificios perforados sobre cada lado.
- Instale tornillos a través de cada esquina superior.



Instale un tornillo en la esquina superior de cada lado



Instrucciones de instalación

Conversión de gas natural a gas LP Conversión de gas LP a gas natural

⚠ ADVERTENCIA: Esta conversión debe efectuarla un instalador calificado o un proveedor de gas de acuerdo con las instrucciones del fabricante y con todos los códigos y requerimientos de la autoridad competente. No seguir estas instrucciones puede provocar lesiones graves o daños a la propiedad. La agencia calificada a cargo de este trabajo asume la responsabilidad de la conversión.

⚠ ADVERTENCIA: La estufa, como se envía de fábrica, se encuentra configurada para funcionar con una clase de gas determinada. Si desea utilizar su estufa con otro gas, primero deben reemplazar los orificios y convertir el regulador de presión.

⚠ ADVERTENCIA: Los siguientes ajustes deben realizarse antes de encender el quemador. No hacerlo puede provocar una lesión grave. Asegúrese de que el regulador de presión se haya convertido como se describe en el Paso 2.

HERRAMIENTAS NECESARIAS PARA LA CONVERSIÓN



Llave Crescent



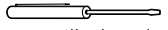
Tirón con final abierto de 11mm y 7/16"



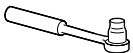
Llave de tuercas de 7 mm y 1/4"



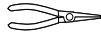
Gafas de seguridad



Destornillador plano pequeño (2 a 2.4 mm o 3/32" de tamaño de punta, 60 mm de largo)



Llave de cubo larga de 1/2"



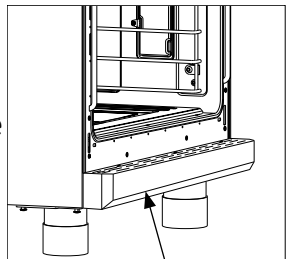
Alicates pequeños



Destornillador de estrella

1 SOPORTE DE ORIFICIOS

El retenedor del orificio de la estufa se encuentra detrás del panel de acceso frontal en la base de la estufa. Retire la(s) puerta(s) (Consulte las instrucciones en la página 10) y los tornillos en la parte superior e inferior del panel de acceso frontal. Retire el panel de acceso frontal para lograr acceso al retenedor del orificio.



Cubierta de acceso frontal

Podría haber orificios adicionales presentes. Use únicamente los orificios especificados en las instrucciones para su estufa u hornilla.

2 CONVIERTA EL REGULADOR

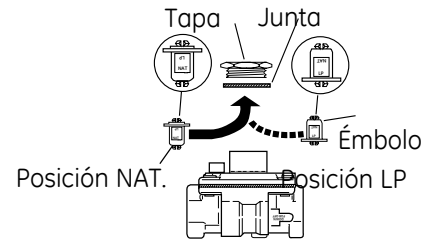
Desconecte el suministro de energía desde el interruptor de circuitos o la caja de fusibles.

- Corte el suministro de gas cerrando la válvula de apagado manual de la unidad o de la pared.
- Mueva la estufa para lograr acceso a la parte posterior de la unidad.
- Retire la parte posterior de la estufa para lograr acceso al regulador(es) - (1) en estufas de 30" y 36" y (2) en estufas de 48".

- Convierta el regulador de presión:

- Desenrosque la tapa del émbolo.

- Coloque el pulgar contra el lado plano del émbolo y presione hacia abajo para remover el émbolo de la tapa.



Regulador de presión

- Mire bien el émbolo para ubicar la posición NAT o LP.

- Dé vuelta el émbolo para que el gas deseado se vea cerca de la parte inferior.

- Vuelva a colocar el émbolo en la tapa.

- Enrosque la tapa dentro del regulador.

- Reverse estos pasos para volver a armar el regulador de presión.

3 CAMBIE LOS ORIFICIOS DE LOS QUEMADORES

CONSEJO DE INSTALACIÓN: Primero quite todos los orificios y luego comience a colocarlos de nuevo. Esto lo ayudará a evitar la posibilidad de que algunos no vuelvan a colocarse.

- Quite las rejillas de los quemadores, las tapas de los quemadores y cabezales de los quemadores.

- Afije los orificios del quemador superior utilizando una llave de tuercas de 7 mm. Utilice alicates pequeños para quitar los orificios con mucho cuidado.

El orificio principal se encuentra en la parte inferior del centro del quemador, mientras que el orificio de fuego lento se encuentra más arriba al lado del centro del quemador.

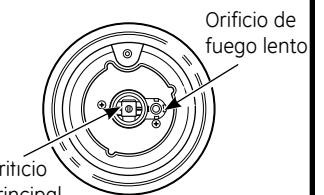
Tapa del quemador



Cabezal del quemador

Encendedor por chispa

Base del quemador



Orificio principal

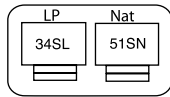
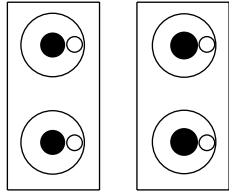
Orificio de fuego lento

Instrucciones de instalación para conversión de gas

3 CAMBIE LOS ORIFICIOS DE LOS QUEMADORES (cont.)

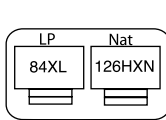
IMPORTANTE: Busque el número de modelo a continuación. Lea cada etiqueta de los orificios para identificarlos e instalarlos en las ubicaciones precisas que se muestran.

ZGP304 ORIFICIOS DE FUEGO LENTO

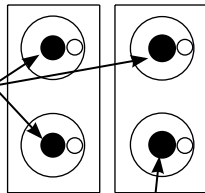


Un orificio 34SL o 51SN se utiliza en todos los quemadores.

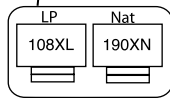
ZGP304 ORIFICIOS PRINCIPALES



Un orificio 84XL o 126HXN se utiliza en estos tres quemadores.

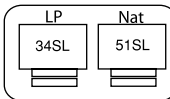


Utilice un orificio 108XL o 190XN para el quemador frontal derecho.

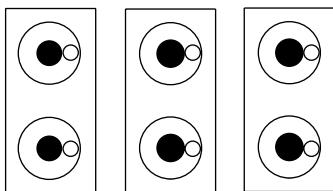


ZGP364, ZGP366, ZGP484, ZGP486

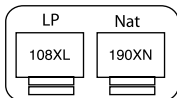
ORIFICIOS DE FUEGO LENTO



Un orificio 34SL o 51SN se utiliza en todos los quemadores.



ORIFICIOS PRINCIPALES



Utilice orificios 108XL o 190XN en todos los quemadores.

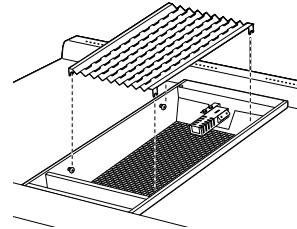
- Coloque los orificios sin usar de vuelta en el soporte. Vuelva a instalar el soporte y la hoja de instrucciones con el tornillo en la ubicación de almacenamiento original.
- Reemplace los cabezales, las tapas y las rejillas superiores. En los modelos de cocina, reemplace el reborde de ventilación trasero.

4 CAMBIE EL ORIFICIO DE LA PARRILLA (si corresponde)

Ubique el orificio de parrilla de 1-1/2" de longitud. Seleccione el tipo de gas. LP—.047, NAT—.067

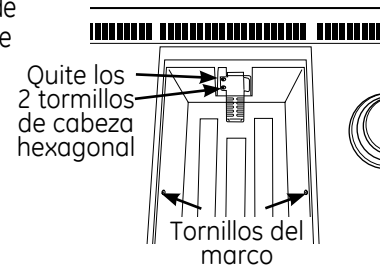


- Quite la tapa de la parrilla, las rejillas y el armazón de la rejilla. Levante el deflector radiante hacia arriba y afuera.



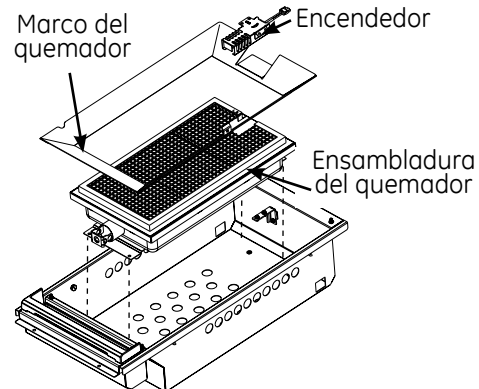
- Quite los 2 tornillos de cabeza hexagonal de la parte superior del encendedor.

- Saque un tornillo de cada lado del marco del quemador.
- Levante el marco.



- Cuidadosamente, empuje el encendedor hacia un costado debajo del quemador. No hale del cable ni lo pellizque.

Saque 4 tornillos de sujeción del quemador, 2 en el frente y 2 en la parte trasera. Deslice la ensambladura del quemador hacia atrás y fuera de la entrada de gas.



- Utilice una llave de cubo larga de 1/2" para sacar y reemplazar el orificio. Invierta estos pasos para volver a montar la parrilla.

Asegúrese de colocar el orificio sin usar en el soporte para posibles usos futuros.



Instrucciones de instalación para conversión de gas

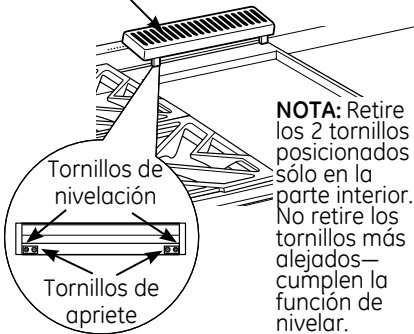
5 CAMBIE EL ORIFICIO DE LA PLANCHA (si corresponde)

Ubique el orificio de la plancha de 3/4" de longitud. Seleccione el tipo de gas.
LP—.047, NAT—.076



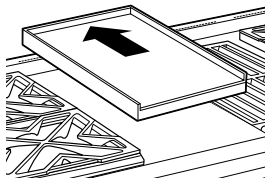
- A. Levante la tapa de ventilación de la plancha. Retire los 2 tornillos interiores de apriete.

Tapa de ventilación de la plancha

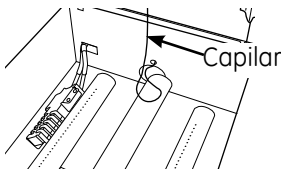


NOTA: Retire los 2 tornillos posicionados sólo en la parte interior. No retire los tornillos más alejados—cumplen la función de nivelar.

- B. Retire la canaleta para grasa de hierro fundido. Deslice la plancha hacia atrás y fuera de las lengüetas de sujeción a lo largo de la parte inferior.



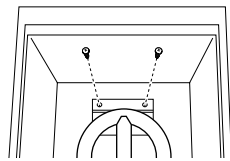
- C. Con cuidado levante y sostenga la plancha mientras agrega longitud desde el capilar al orificio de entrada. Sostenga la plancha en el extremo del cárter para grasa.



- D. Retire los 2 tornillos de sujeción en la parte trasera del quemador.

Quite el quemador empujando hacia atrás y afuera de la entrada de gas.

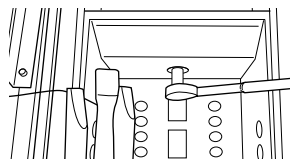
Trasera de la cocina



- E. Use la llave de cubo larga de 1/2" para retirar y reemplazar el orificio.

Realice los pasos hacia atrás para volver a ensamblar la plancha. Vuelva a colocar el capilar excesivo nuevamente en el orificio de entrada. Coloque el orificio no utilizado en el soporte para posibles usos futuros.

Frente de la cocina



6A CAMBIE EL ORIFICIO DEL QUEMADOR DE HORNEAR PRINCIPAL

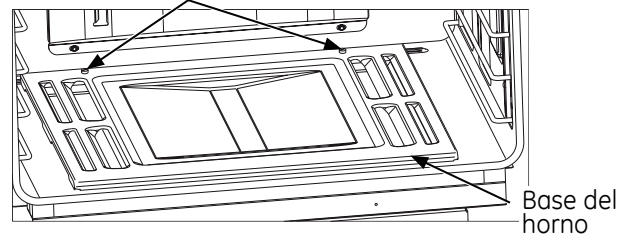
Localice el orificio del quemador de hornear de 3/4" de largo.

Seleccione el tamaño de orificio correcto para su gas y quemador en la tabla de conversión.

- A. Retire la puerta del horno y coloque a un lado en un lugar seguro.

- B. Retire los dos tornillos de sostienen la base del horno de la parte trasera de la cubierta.

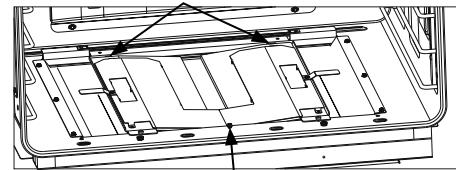
Tornillos retenedores



- C. Deslice la base del horno hacia el frente y ponga a un lado.

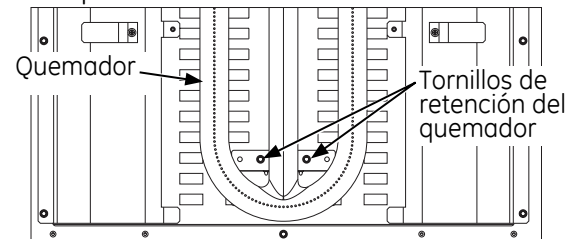
- D. Retire el tornillo del difusores del quemador.

Ganchos



Tornillo del difusor

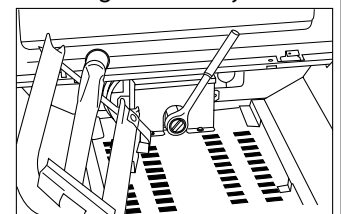
- E. Levante el frente del difusor del quemador ligeramente y deslice hacia adelante para liberar los ganchos en la parte posterior. Coloque el difusor del quemador a un lado.



- F. Retire los dos tornillos de retención del quemador.

- G. Levante el frente del quemador ligeramente y deslice hacia adelante para ponerlo a un lado (con cuidado de no dañar la ignición).

- H. Use una llave de copa de 1/2" para retirar y reemplazar el orificio.



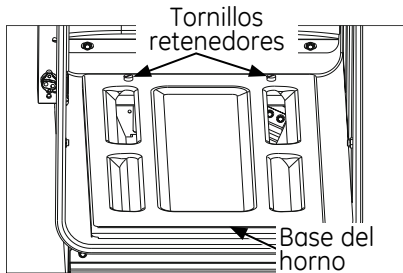
- I. Reverse estos pasos para re-ensamblar la plancha. Empuje la capilaridad excesiva de nuevo en el orificio de entrada. Coloque el orificio no utilizado en el retenedor para posible uso futuro.

Instrucciones de instalación para conversión de gas

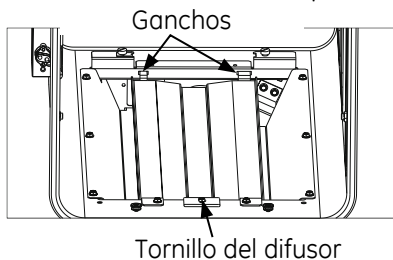
6B CAMBIE EL ORIFICIO DEL QUEMADOR DE HORNEAR ACOMPAÑANTE (SI LO HAY)

Localice el orificio quemador de hornear de $\frac{3}{4}$ " de largo. Seleccione el tamaño correcto de orificio para su gas y quemador en la tabla de conversión.

- A. Retire la puerta del horno y coloque a un lado en un lugar seguro.
- B. Retire los dos tornillos retenedores de la base del horno de la parte posterior de la cubierta.

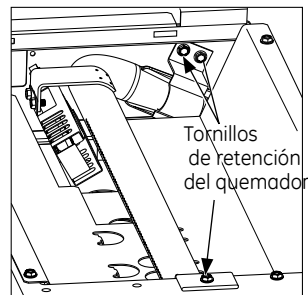


- C. Deslice la base del horno hacia el frente y coloque a un lado.
- D. Retire el tornillo del difusor del quemador.



- E. Levante el frente del difusor del quemador ligeramente y deslice hacia adelante para liberar los ganchos en la parte posterior. Coloque el difusor del quemador a un lado.

- F. Retire los tres tornillos de retención del quemador (1 al frente y 2 atrás).



- G. Levante el frente del quemador ligeramente y deslice hacia adelante para quitar.

- H. Use una llave de copa de $\frac{1}{2}$ " para retirar y reemplazar el orificio.

- I. Reverse estos pasos para re-ensamblar la plancha. Empuje la capilaridad excesiva de nuevo en el orificio de entrada. Coloque el orificio no utilizado en el retenedor para posible uso futuro.

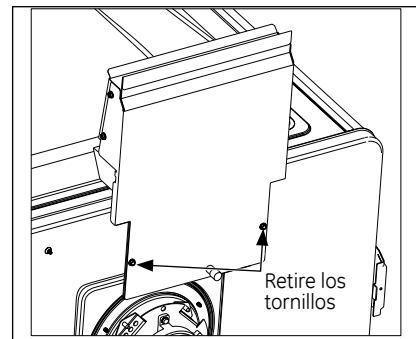
7 CAMBIE EL ORIFICIO DEL QUEMADOR ASADOR PRINCIPAL/ACOMPAÑANTE

Localice el orificio del quemador asador.

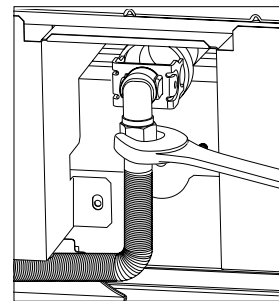
Seleccione el tamaño correcto de orificio para su gas y quemador en la tabla de conversión.

La cubierta posterior deberá continuar retirada de la conversión del regulador(es). Consulte la sección 2 para los detalles si no es así.

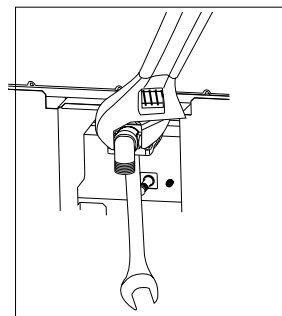
- A. Retire los dos tornillos de retención de la cubierta del ducto del asador. Levante y deslice para quitar.



- B. Afloje y retire la tuerca del tubo de suministro del asador que se encuentra en el retenedor del orificio del asador.



- C. Use una llave ajustable y una llave estriada de $\frac{7}{16}$ " (11 mm) para aflojar, quitar y reemplazar el orificio del asador.



- D. Reverse estos pasos para volver a armar la plancha. Empuje los capilares excesivos de nuevo dentro del orificio de entrada. Coloque el orificio no usado en el retenedor para un posible uso futuro.

Instrucciones de instalación para conversión de gas

8 AJUSTE LAS LLAMAS DEL QUEMADOR

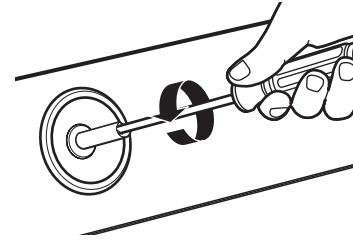
Normalmente, los quemadores no necesitan nuevos ajustes. Realice los ajustes sólo cuando sea necesario.

- Encienda el gas. Enchufe el cable eléctrico.
- Encienda todos los quemadores en la configuración más alta y controle las llamas. Tienen que ser de color azul. Cuando utilice gas LP, las llamas pueden tener puntas amarillas. Partículas extrañas en la línea de gas pueden provocar una llama anaranjada al comienzo, pero esto desaparecerá rápidamente.
- Gire la perilla del quemador de la estufa a "LO" (bajo) mientras observa la llama.

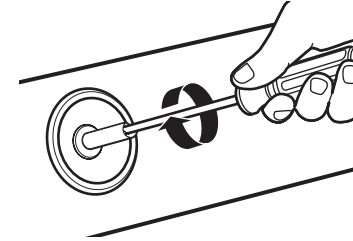
Ajuste la configuración de la hilera superior de las llamas utilizando el tornillo de derivación de válvula de la siguiente manera:

Los ajustes deben efectuarse con otros dos quemadores que funcionen en una configuración media. Este procedimiento evita que la hilera superior de las llamas sea demasiado baja, lo que provoca que la llama se apague cuando los otros quemadores se encienden.

- Para ajustar la llama, quite las perillas. Introduzca un destornillador pequeño de lados planos a través del orificio en el centro del vástago de la válvula para enganchar el tornillo.



- Si las llamas son demasiado pequeñas o se agitan, gire el tornillo en sentido contrario a las agujas del reloj.



- Si las llamas son demasiado grandes, gire el tornillo en sentido de las agujas del reloj.
- Realice el ajuste girando el tornillo lentamente hasta que la apariencia de la llama sea la correcta.

CALIFICACIONES DE SALIDA DEL QUEMADOR: BTU/HR

Gas NG (Natural), 5" W.C.P.				
MODELO	QUEMADOR	CALIFICACIÓN BTU	TAMAÑO ORIFICIO	ID
ZGP48 ZGP36	QUEMADORES TODA Principal	16,800	0.075" (1.90mm)	190XN
	SUPERFICIE Fuego lento	1,200	0.002" (0.51mm)	51SL
ZGP304	Principal QUEMADOR RF	16,800	0.075" (1.90mm)	190XN
	Fuego lento	1,200	0.002" (0.51mm)	51SN
ZGP304	RR, LR, LF Principal Fuego lento	8,800	0.050" (1.26mm)	126HXN
		1,200	0.002" (0.51mm)	51SN
Todos	PARILLA	15,000	0.0689" (1.75mm)	0.069
Todos	PLANCHA	18,000	0.076" (1.93mm)	0.076
ZGP48/ ZGP36	HORNEAR PRINCIPAL	24,500	0.0886" (2.25mm)	0.089
ZGP30	HORNEAR PRINCIPAL	23,500	0.0866" (2.20mm)	0.087
ZGP48	HORNEAR ACOMPAÑANTE	10,500	0.0531" (1.35mm)	0.053
Todos	ASAR PRINCIPAL	12,500	0.063" (1.60mm)	160
ZGP48	ASAR ACOMPAÑANTE	9,000	0.052" (1.32mm)	132

LP (Propane) Gas, 10" W.C.P.				
MODELO	QUEMADOR	CALIFICACIÓN BTU	TAMAÑO ORIFICIO	ID
ZGP48 ZGP36	QUEMADORES TODA Principal	13,800	0.043" (1.08mm)	108XL
	SUPERFICIE Fuego lento	1,200	0.013" (0.34mm)	34SL
ZGP304	Principal QUEMADOR RF	13,800	0.043" (1.08mm)	108XL
	Fuego lento	1,200	0.013" (0.34mm)	34SL
ZGP304	RR, LR, LF Principal Fuego lento	7,900	0.033" (0.84mm)	84XL
		1,200	0.013" (0.34mm)	34SL
Todos	PARILLA	14,000	0.047" (1.19mm)	0.047
Todos	PLANCHA	16,000	0.047" (1.19mm)	0.047
ZGP48/ ZGP36	HORNEAR PRINCIPAL	23,000	0.055" (1.397mm)	0.055
ZGP30	HORNEAR PRINCIPAL	21,500	0.0531" (1.35mm)	0.053
ZGP48	HORNEAR ACOMPAÑANTE	10,000	0.0374" (0.95mm)	0.037
Todos	ASAR PRINCIPAL	11,500	0.041" (1.04mm)	104
ZGP48	ASAR ACOMPAÑANTE	9,000	0.0360" (0.91mm)	91

Una vez que la conversión se haya finalizado y controlado, llene la etiqueta de la conversión y fíjela cerca de la etiqueta de clasificación. Para cocinas, coloque la etiqueta debajo del panel de control. Para estufas, coloque la etiqueta en la parte inferior de la unidad.

Nota

NOTE: While performing installations described in this book, safety glasses or goggles should be worn.

For Monogram® local service in your area, call 1.800.444.1845.

NOTE: Product improvement is a continuing endeavor at General Electric. Therefore, materials, appearance and specifications are subject to change without notice.

REMARQUE: lorsque vous procédez aux installations abordées dans ce manuel, il est fortement recommandé de porter des lunettes de sécurité.

Pour contacter le service de dépannage Monogram® le plus proche de chez vous, veuillez appeler le 1.800.444.1845.

REMARQUE: la philosophie de General Electric fait la part belle à l'innovation. C'est pourquoi les matériaux, les caractéristiques et l'apparence extérieure peuvent faire l'objet de modifications sans préavis.

NOTA: Mientras efectúa las instalaciones descritas en este libro, deben utilizarse gafas o lentes de seguridad.

Para servicio técnico local Monogram® en su área, llame al 1.800.444.1845.

NOTA: La mejora de los productos es un esfuerzo continuo para General Electric. Por lo tanto, los materiales, la apariencia y las especificaciones pueden sufrir cambios sin previo aviso.

