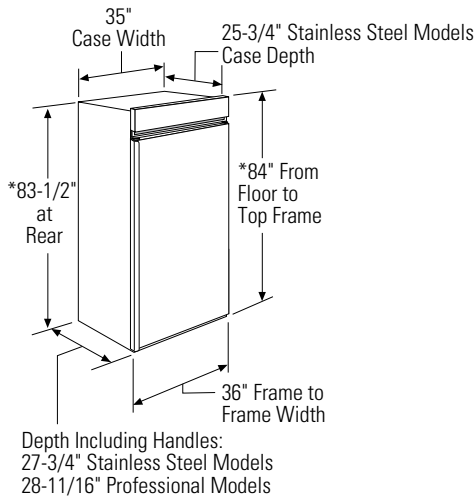


ZIRP360NX

GE Monogram® 36" Built-In Professional All-Refrigerator

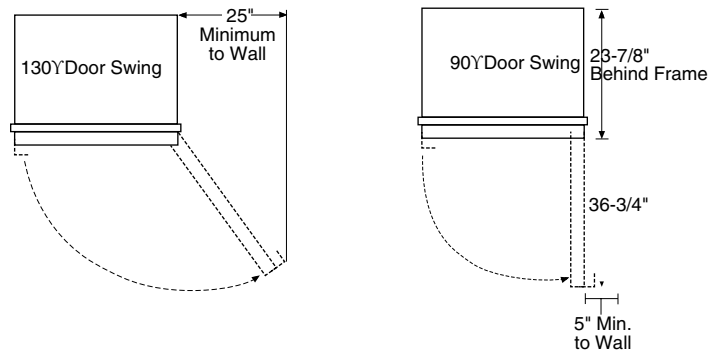
Dimensions and Installation Information



*Shipping height. The refrigerator can be adjusted to fit into a cutout 83-1/2" min. to 84-1/2" max. height. Note: the top case trim at the front is 1/2" higher and will overlap upper cabinetry or soffit. Use leveling legs and wheels for a maximum 1" height adjustment.

Product Clearances

These units are equipped with a 2-position door stop. The factory set 130° door swing can be adjusted to 90° if clearance to adjacent cabinets or walls is restricted. Order WX14X99 door stop for precise settings between 90° and 130°.



Allow 25" minimum clearance for a full 130° door swing. Allow 15" for pan removal. for a 90° door swing, allow 5" minimum clearance for professional models. If the 90° doorstop position is used, pan access is maintained but pan removal is restricted.

For answers to your Monogram,® GE Profile™ or GE® appliance questions, visit our website at ge.com or call GE Answer Center® service, 800.626.2000.

ZIRP360NXRH, Refrigerator

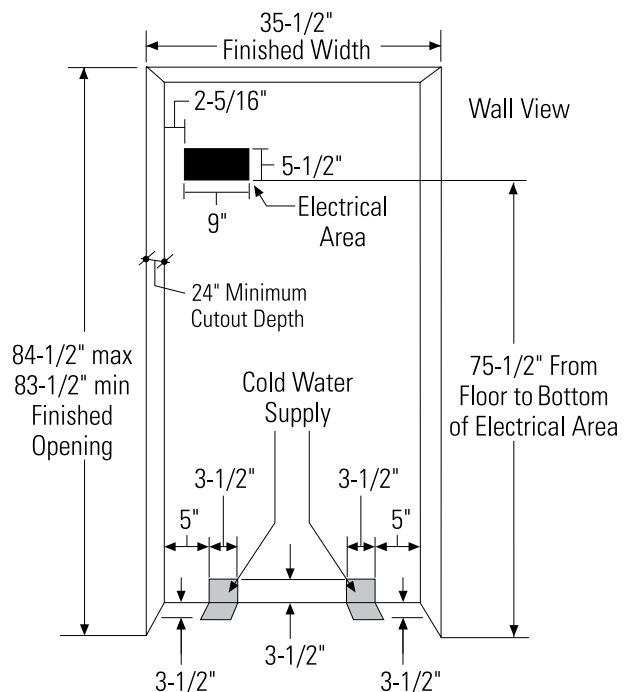
Handle on the left side, the door swings left to right.

ZIRP360NXLH, Refrigerator

Handle on the right side, the door swings right to left.

Caution

These units are top-heavy and must be secured to prevent the possibility of tipping forward. Anti-Tip protection is required.



The water and electrical supply must be located as shown. The finished cutout width must be 35-1/2".

Note: The case trim overlaps cabinets at the top and sides. Frameless cabinets may require filler strips to prevent interference with cabinet door swing. The opening width must allow for filler strips.



imagination at work



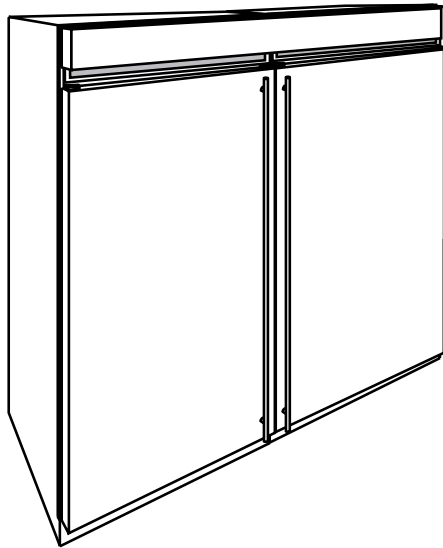
Listed by Underwriters Laboratories

ZIRP360NX

GE Monogram® 36" Built-In Professional All-Refrigerator

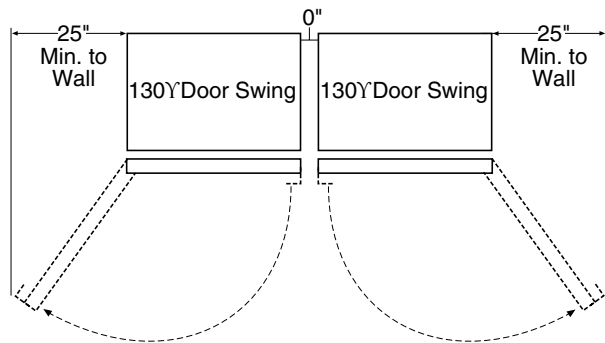
Dimensions and Installation Information

Cutout and Clearances for Multiple Product Installations



ZUGPP2: For side-by-side installation of two professional models. This kit provides a unified stainless steel grille panel to span the width of two units.

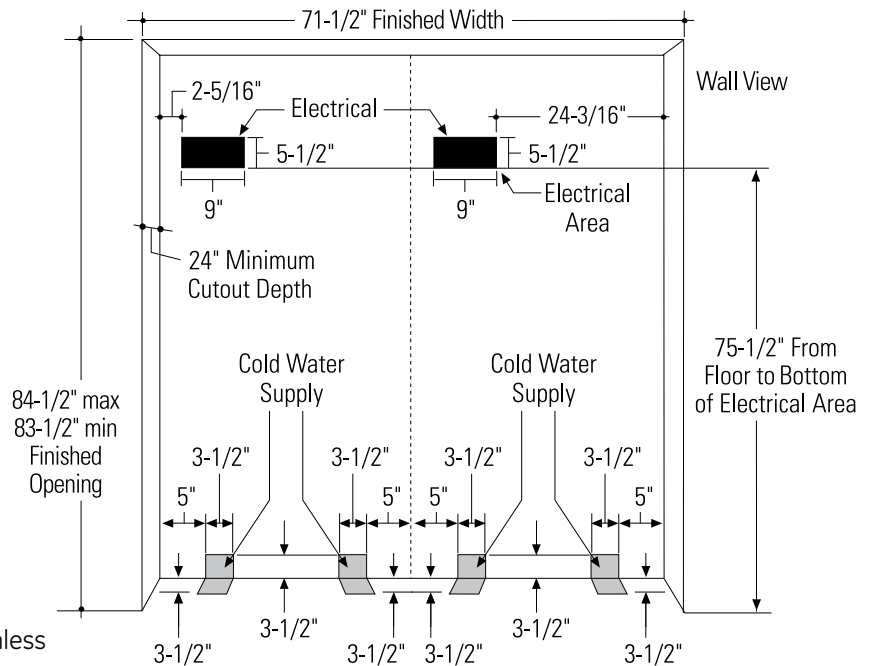
For a complete food storage center, install a Monogram All-Refrigerator and All Freezer side-by-side. For even more capacity, install two refrigerators or two freezers.



Clearances for Multiple Single Door Installations

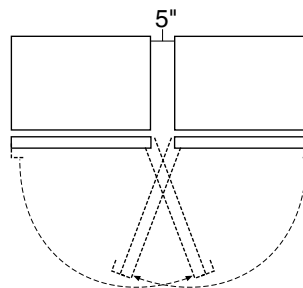
In a side-by-side installation of a left and right door swing product, the inside trims touch at the front, with a 1" clearance between the units at the rear. Order ZUGPP2 Professional Unified Grille Panel Kit for one continuous grille panel.

For answers to your Monogram,® GE Profile™ or GE® appliance questions, visit our website at ge.com or call GE Answer Center® service, 800.626.2000.



If you are installing two units, side by side, the installation space must be 71-1/2" wide. Additional cutout width may be required when side panels are used. Add side panel thickness to the finished cutout to calculate rough-in width.

- The water and electrical locations for each product must be located as shown.
- A separate 115V, 60Hz., 15 or 20 amp power supply is recommended for each product.



Clearances for two products installed side-by-side with right and left side hinges together

Allow 5" minimum between the two products to prevent one door from striking the other. Use the WX14X99 adjustable door stop to reduce the factory set 130° door swing and to allow pan removal. **NOTE:** A unified grille panel kit will NOT fit this installation.



imagination at work



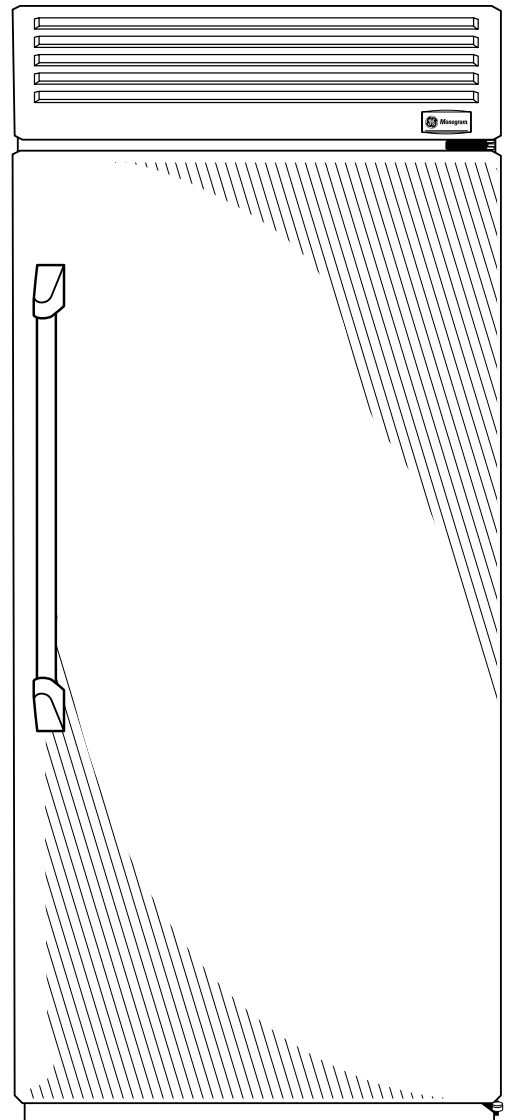
Listed by Underwriters Laboratories

ZIRP360NX

GE Monogram® 36" Built-In Professional All-Refrigerator

Features and Benefits

- Stainless Exterior - Conveys a sense of solidity and beauty with tubular handles, louvered grille and chamfered, hand-finished edges
- Enhanced Temperature Management System - With precise electronic controls and thermistors, maintains ideal storage conditions for fresh foods
- Concealed Halogen Lighting System - Illuminates contents without compromising space
- ENERGY STAR® Qualification - As an ENERGY STAR partner, GE has determined that Monogram all-refrigerators meet the ENERGY STAR guidelines for energy efficiency
- Humidity-Controlled Compartments and Sealed Snack Drawers - Help preserve the freshness of foods
- Adjustable Spillproof Glass Shelves - Easily accommodate party trays and platters
- Gallon-Size Door Bin - Holds milk containers, two-liter bottles and pitchers
- Sealed Dairy Compartment - Locks in freshness
- Model ZIRP360NXRH - Stainless steel wrap (right-handed door swing)
- Model ZIRP360NXLH - Stainless steel wrap (left-handed door swing)



For answers to your Monogram,® GE Profile™ or GE® appliance questions, visit our website at ge.com or call GE Answer Center® service, 800.626.2000.



imagination at work