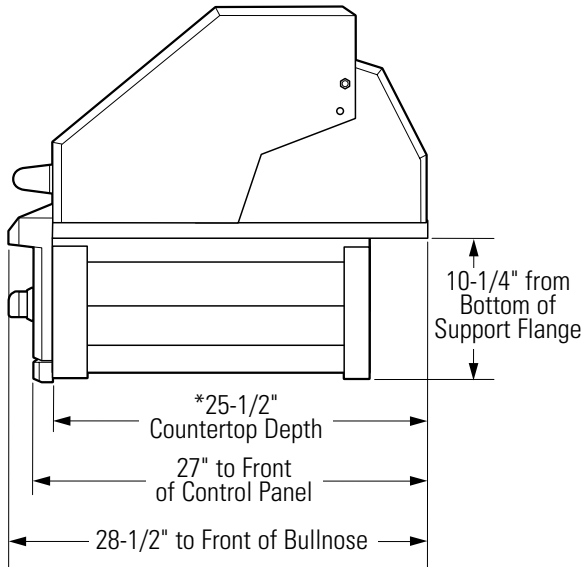
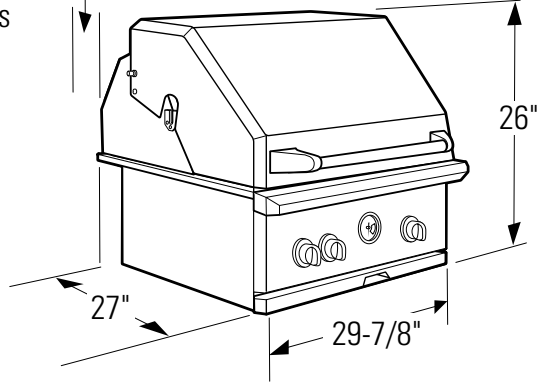


ZGG300NBPSS - Natural Gas Built-in Outdoor Grill

ZGG300LPSS - LP Gas Built-in Outdoor Grill

Dimensions and Installation Information (in inches)

12" Min. to Combustibles
4" Min. Clearance for Lid to Non-Combustibles



*The weight of the grill is fully supported by the side trims. The back of the grill overlaps the back edge of the cutout.

** Built-In Monogram Outdoor grills must use Grill Liner accessory ZX30JR for 30" Built-in to install into combustible enclosures. Please refer Grill Liner instructions for the cut-out dimensions.

For answers to your Monogram,® GE Profile™ or GE® appliance questions, visit our website at geappliances.com or call GE Answer Center® service, 800.626.2000.

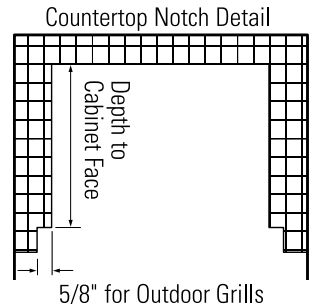
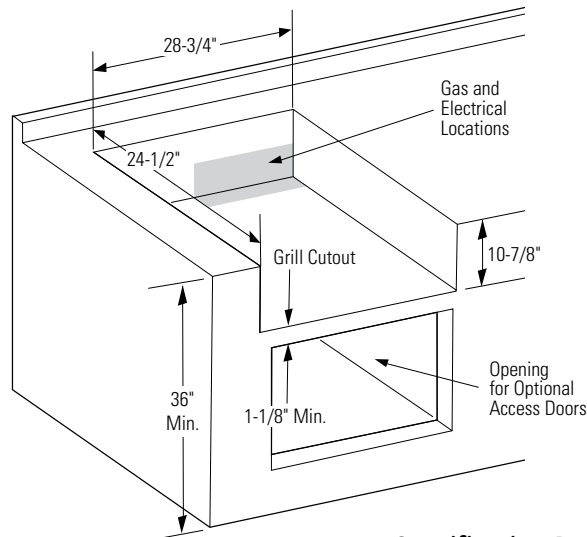


Outdoor Built-in Cooktop

These grills are designed to be installed into a non-combustible enclosure.

To install into combustible enclosures Built-In Monogram Outdoor grills must use Grill Liner accessory ZX30JR for 30". Please refer to the Grill Liner instructions for the details.

- The grill drops into the opening and hangs from the side flanges. It does not require support from the bottom.
- The cutout must be completely covered with non-combustible material such as stone, brick, ceramic tile, concrete board, etc. The countertop surface and edges must be flat and level.
- If the countertop has an overhang, it must be notched or cut back flush with the front face of the cabinet below.
- Allow at least 12" minimum clearance at the back of the grill when the exhaust is directed to a window or surface that is difficult to clean. Allow at least 4" clearance behind the grill to allow the hood lid to open. See notched detail below.
- Allow 12" minimum clearance on both sides and the back of the grill to adjacent vertical combustible construction.
- These gas grills cannot be used below any type of overhead construction.
- These grills are designed for outdoor use only. Do not locate the cooktop in a building, garage or other enclosed or semi-enclosed area.
- Locate the backside of the grill away from prevailing winds and avoid cooking in windy conditions.



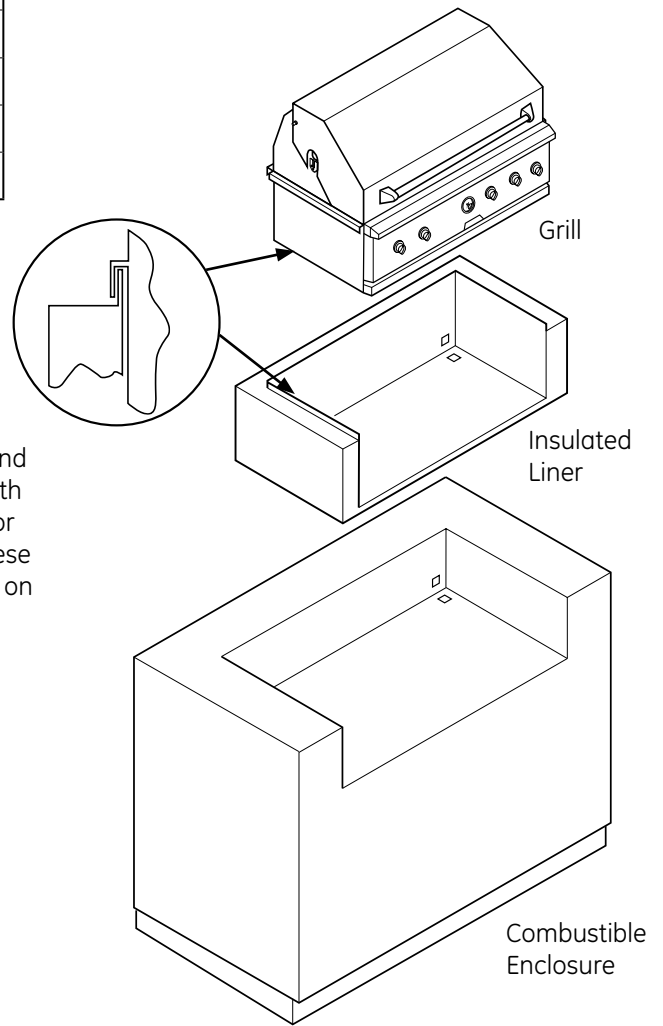
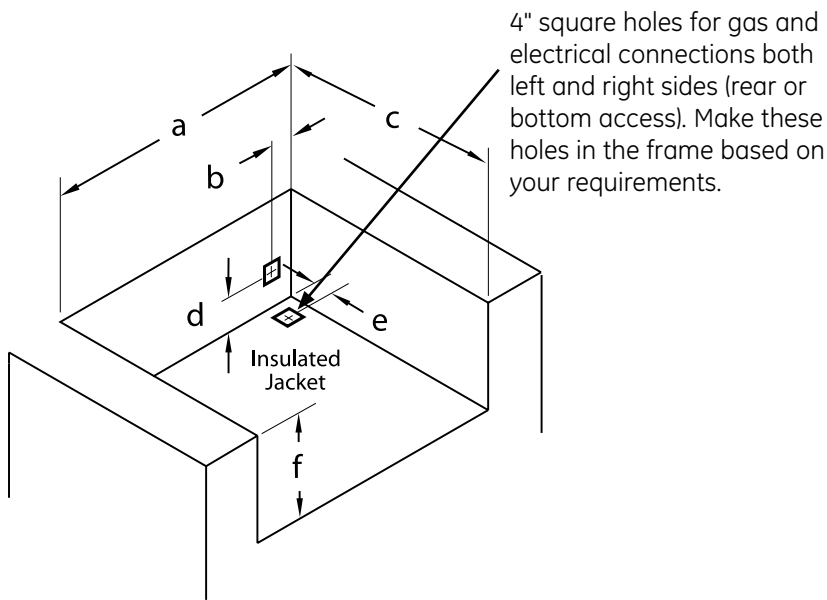
ZGG300NBPSS - Natural Gas Built-in Outdoor Grill

ZGG300LPSS - LP Gas Built-in Outdoor Grill

Dimensions and Installation Information (in inches)

Built-in grill cut-out dimensions to install into combustible enclosures with grill liner accessory (not provided with built-in grill)

Description	Model	Dimensions with Insulated Jacket Installed					
		a	b	c	d	e	f
30" Grill Liner	ZX30JR	36"	5"	26-1/2"	4-1/2"	3	11-5/8"
42" Grill Liner	ZX42JR	48"	5"	26-1/2"	4-1/2"	3	11-5/8"
54" Grill Liner	ZX54JR	60"	5"	26-1/2"	4-1/2"	3	11-5/8"



For answers to your Monogram,® GE Profile™ or GE® appliance questions, visit our website at geappliances.com or call GE Answer Center® service, 800.626.2000.

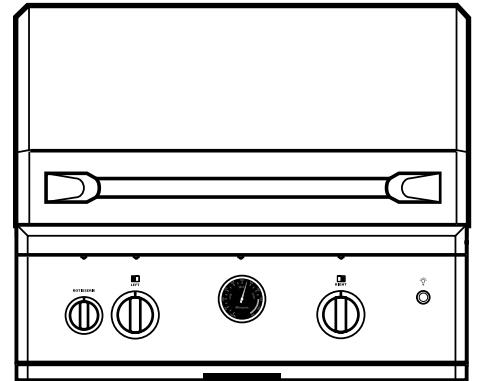


ZGG300NBPSS - Natural Gas Built-in Outdoor Grill

ZGG300LPSS - LP Gas Built-in Outdoor Grill

Features and Benefits

- Heavy-duty, 304 stainless steel construction with professional styling complements Monogram ranges and other cooking products, allowing a seamless transition between indoor and outdoor spaces. A double-wall design insulates the canopy to minimize heat loss and allow for cooler surfaces
- 25,000-BTU, stainless steel burners offer precise control across a wide spectrum of temperature settings while Gourmet Radiant™ trays ensure even heat distribution and reduce flare-ups
- Ceramic-infrared rotisserie burner allows you to slow-roast lamb, pork and other meats to succulent perfection. The rotisserie motor assembly plugs in and detaches easily for convenient cooking and storage. Stainless steel spit rod and forks included
- Integrated illumination sets the stage for nighttime grilling with red LED lights above the knob controls, along with interior halogen lighting
- Stainless steel, drop-in smoker box infuses foods with flavorful aromas, such as mesquite or hickory
- Grill accessories makes outdoor cooking centers all the more refreshing and appealing:
 - Easy-to-clean basting pan is positioned below the rotisserie to capture natural juices from meats
 - Grill cover is felt lined and constructed of heavy-duty vinyl to provide maximum protection from the elements
- Electronic, 120-volt ignition system makes grill activation as simple as pressing a knob control. A 9-volt battery backup is also included
- Model ZGG300BNPSS - Natural gas
- Model ZGG300LPSS - Liquid propane



Monogram grills are factory-set for Natural or LP gas operation. Be sure to order the correct model for the installation situation.

Conversion kits (WB28X10116 - LP to Natural gas and WB28X10117 - Natural gas to LP) are available if the wrong fuel type is ordered.

High altitude kit (WB28X10119) is also available for operation above 2,000 feet. Order WB28X10118 to change the connection from LP portable (20 lb. tank) to whole house stationary tank or to change a stationary tank to portable.

Conversion kits must be installed by a qualified service technician at additional cost. Order these kits from your Monogram supplier.

For answers to your Monogram,® GE Profile™ or GE® appliance questions, visit our website at geappliances.com or call GE Answer Center® service, 800.626.2000.



imagination at work