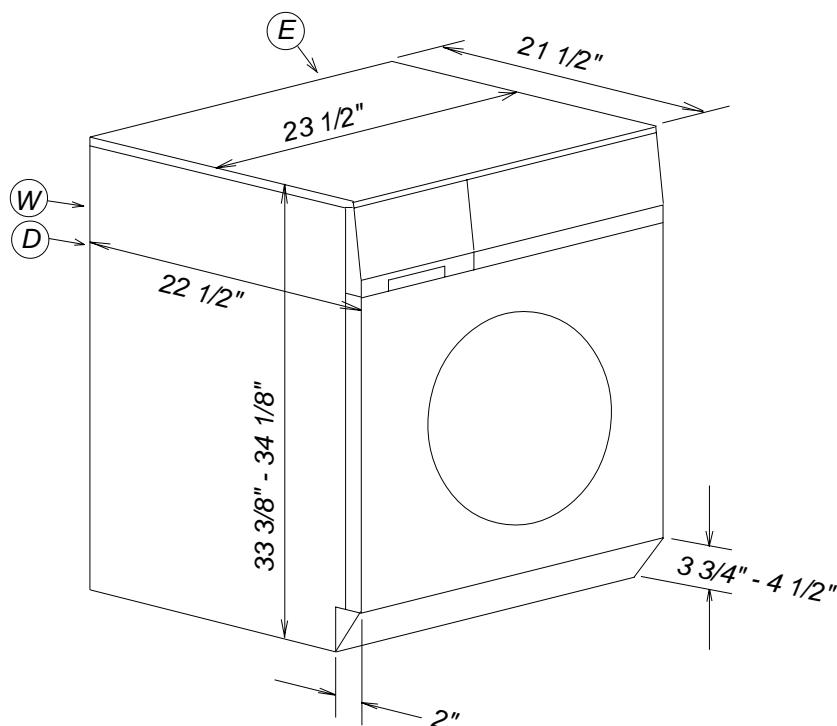


# Product Dimensions

## Large Capacity Washing Machine

### Angled control

### W3033 / W3035



#### Location Codes

- D - 5 foot flexible drain hose connects upper left rear.*
- E - 120 Volt, 15 Amp 5 foot molded plug power supply connects upper left rear (NEMA 5-15 Configuration).*
- W - 5 foot separate flexible hot and cold water intake hoses connect upper left rear.*

#### Notes

- All installations must be done in accordance with local codes**
- See "Cut-out Dimensions" sheet for undercounter or built-in space requirements**
- Remove transport struts in rear of machine before installation.**

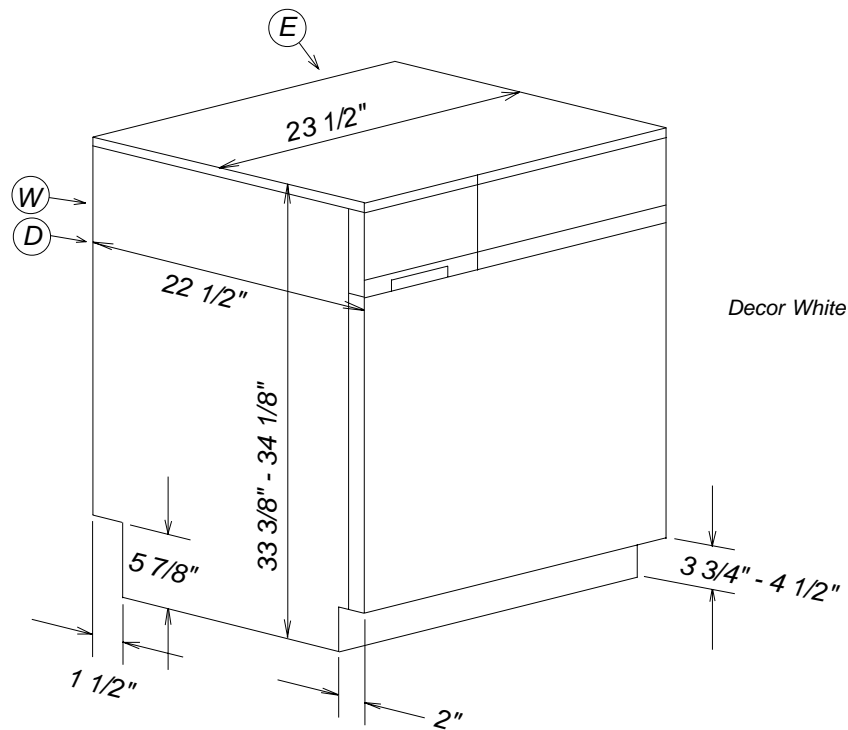
NOTE: Drawing is not to scale.  
SPECIFICATION SHEETS 08262011

# Product Dimensions

## Large Capacity Washing Machines

### Flat controls - Decor Unit

#### W3039i



#### Location Codes

- D - 5 foot flexible drain hose connects upper left rear.*
- E - 120 Volt, 15 Amp 5 foot molded plug power supply connects upper left rear (NEMA 5-15 Configuration).*
- W - 5 foot separate flexible hot and cold water intake hoses connect upper left rear.*

#### Notes

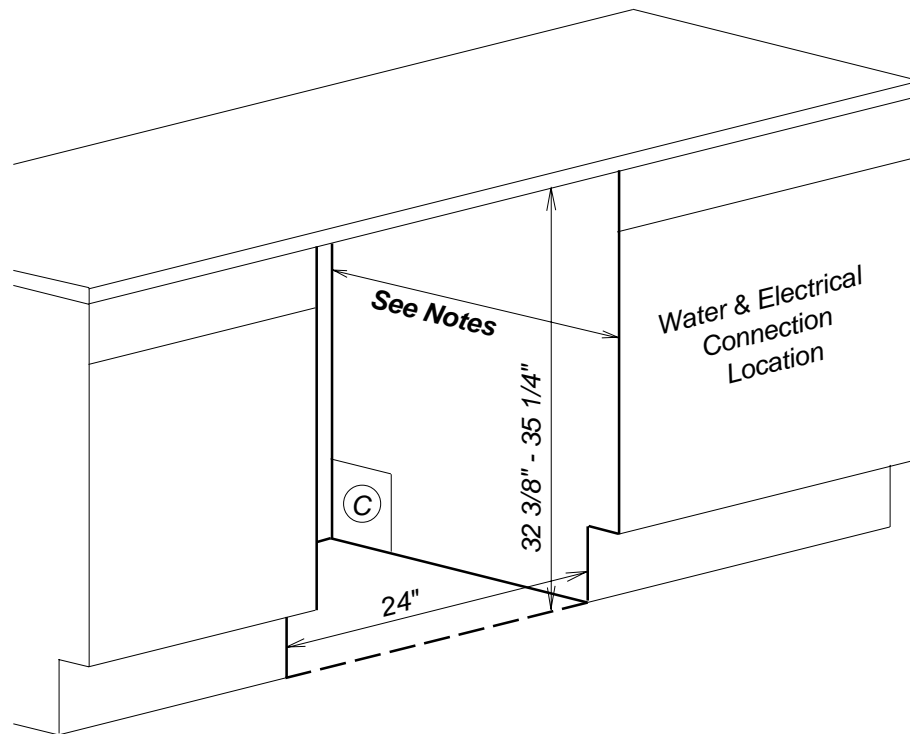
- All installations must be done in accordance with local codes**
- See "Cut-out Dimensions" sheet for undercounter or built-in space requirements**
- Remove transport struts in rear of machine before installation.**

NOTE: Drawing is not to scale.  
SPECIFICATION SHEETS 08262011

# Cut-out Dimensions

## Built-in Installations

### Large Capacity Laundry Products



Location Codes
C - Cutout for Electric and Vent or Drain pass-through. Adjust according to duct or drain location.

#### Notes

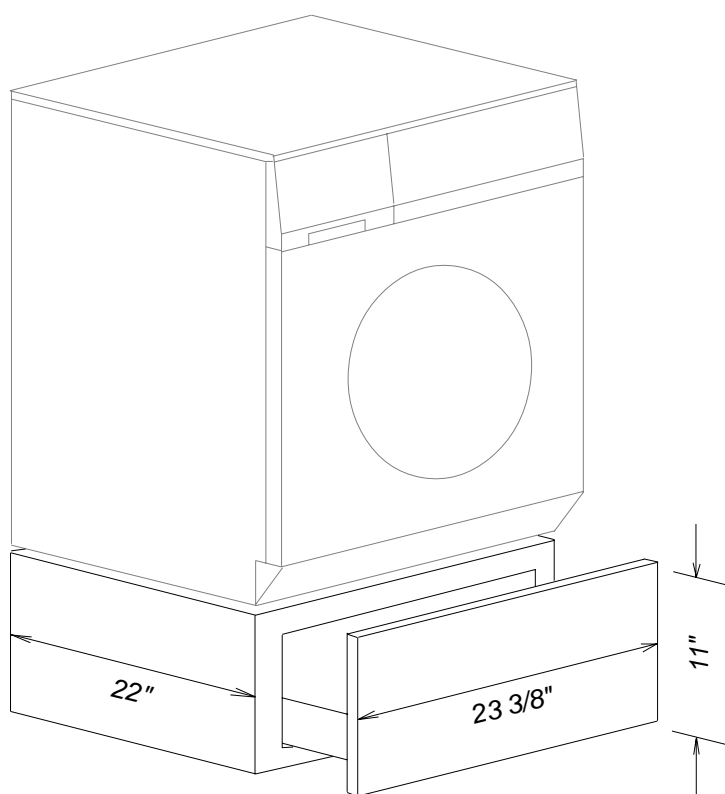
- Needed depth will vary by model number:  
W3033-W3035: 24" minimum  
W3039i: 25" minimum
- Typically requires removal of unit's lid. Out of box unit height dimension without lid is 32 5/16" - 32 11/16".

# Product Dimensions

Laundry Stand

WTS410 - White Only

**Miele**



## Notes

- **For use with both large and super capacity washers or tumble dryers.**
- **All installations must be done in accordance with local codes**

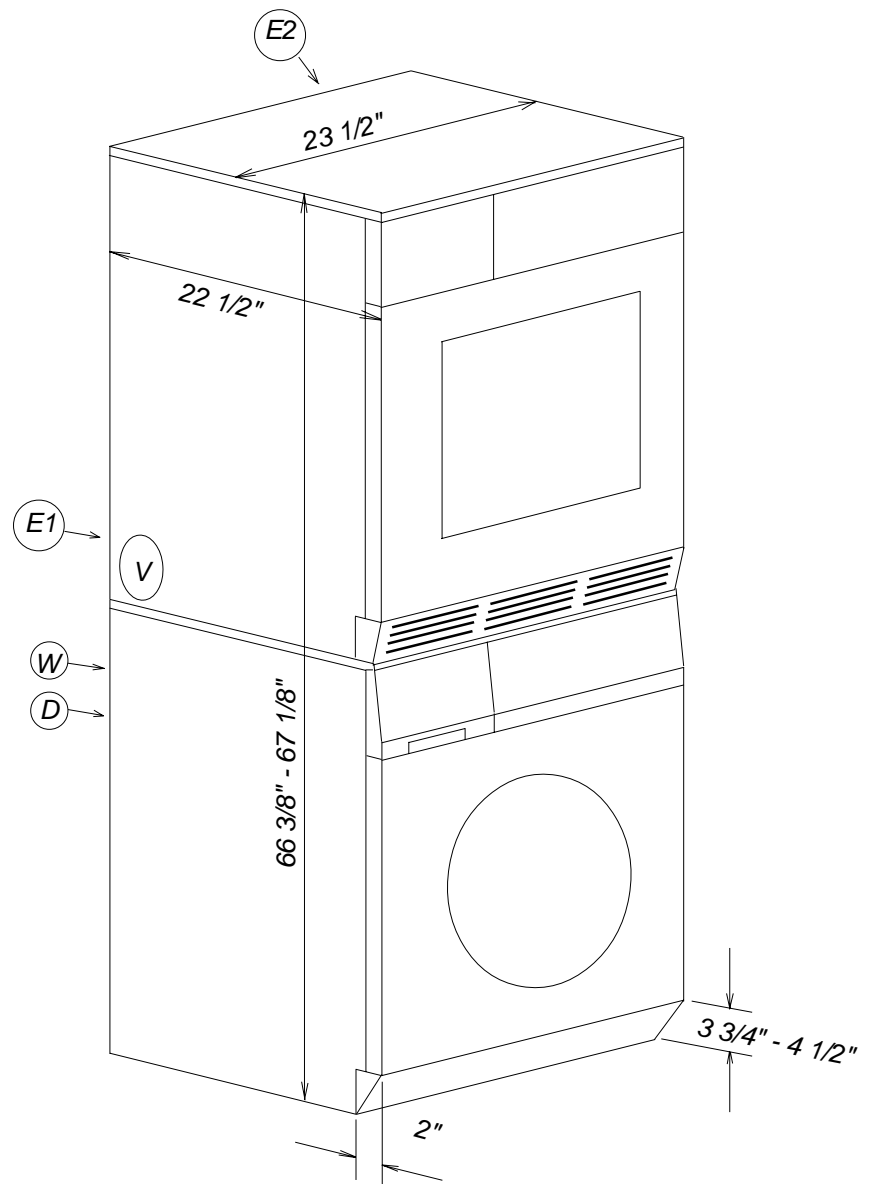
NOTE: Drawing is not to scale.  
SPECIFICATION SHEETS 08262011

# Product Dimensions

## Stacked Washer & Dryer

### Example Combination

### W3033 + T8003



#### Location Codes

- |           |  |
|-----------|--|
| <i>D</i>  | 5 foot flexible drain hose connects upper left rear.   |
| <i>E1</i> | 120 Volt, 15 Amp 5 foot molded plug power supply connects upper left rear (NEMA 5-15 Configuration).       |
| <i>E2</i> | 208/240 Volt, 30 Amp 5 foot molded plug power supply connects upper right rear (NEMA 14-30 Configuration). |
| <i>W</i>  | 5 foot separate flexible hot and cold water intake hoses connect upper left rear.                          |

#### Notes

- **All installations must be done in accordance with local codes**
- See "Cut-out Dimensions" sheet for undercounter or built-in space requirements
- **Remove transport struts in rear of machine before installation.**
- **WTV 407 Stacking kit for W3033, T8003, T8013C**
- **WTV 410 Stacking kit for W3039i / T8019Ci**
- **WTV 419 Stacking kit for W3035 / T8005**

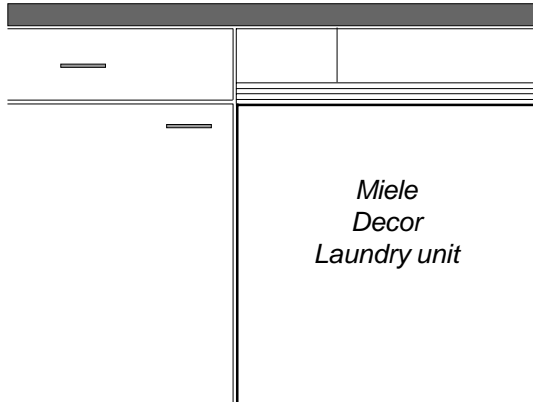
# Panel Information

## Integrated Laundry W3039i Decor Unit



These units come equipped with a full size white front panel. These units are also designed to either accept a thin insert or a custom front panel supplied by the custom cabinet maker.

Sizes are as follows:



### Version 1 - Thin insert

**Width:** 23 1/4" for all machines  
**Thickness:** up to 1/8"  
**Height:** 25" in all cases

With this version, a thin white frame will be exposed after installation

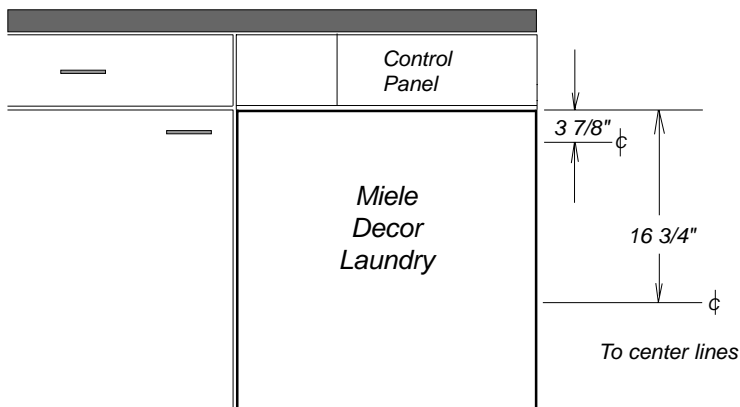
### Version 2 - Custom Front Panel

**Width:** 23 3/8" for all machines  
**Thickness:** up to 3/4"  
**Height:** Up to 25"

With this version, the existing front panel is removed and replaced by the new custom panel

### Hinge Notches

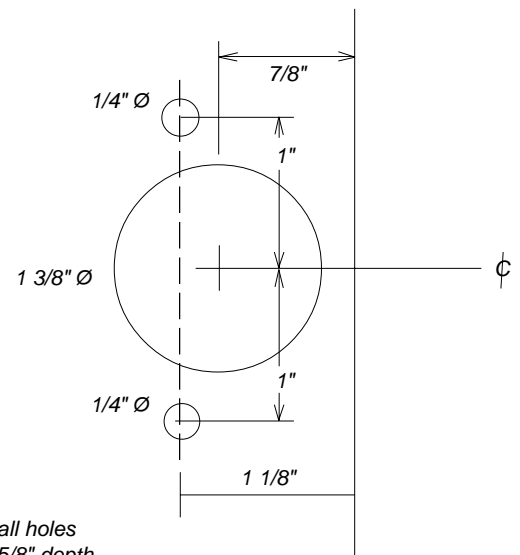
In certain installations, notches will be required to accommodate the hinges in the front panel.



**Note:** To insure access to customer servicable features, a minimum 4" toe kick above finished floor (AFF) is required.

### Notch Pattern

For this installation, drill the following pattern in the appropriate locations.



NOTE: Drawing is not to scale.  
 SPECIFICATION SHEETS 08262011