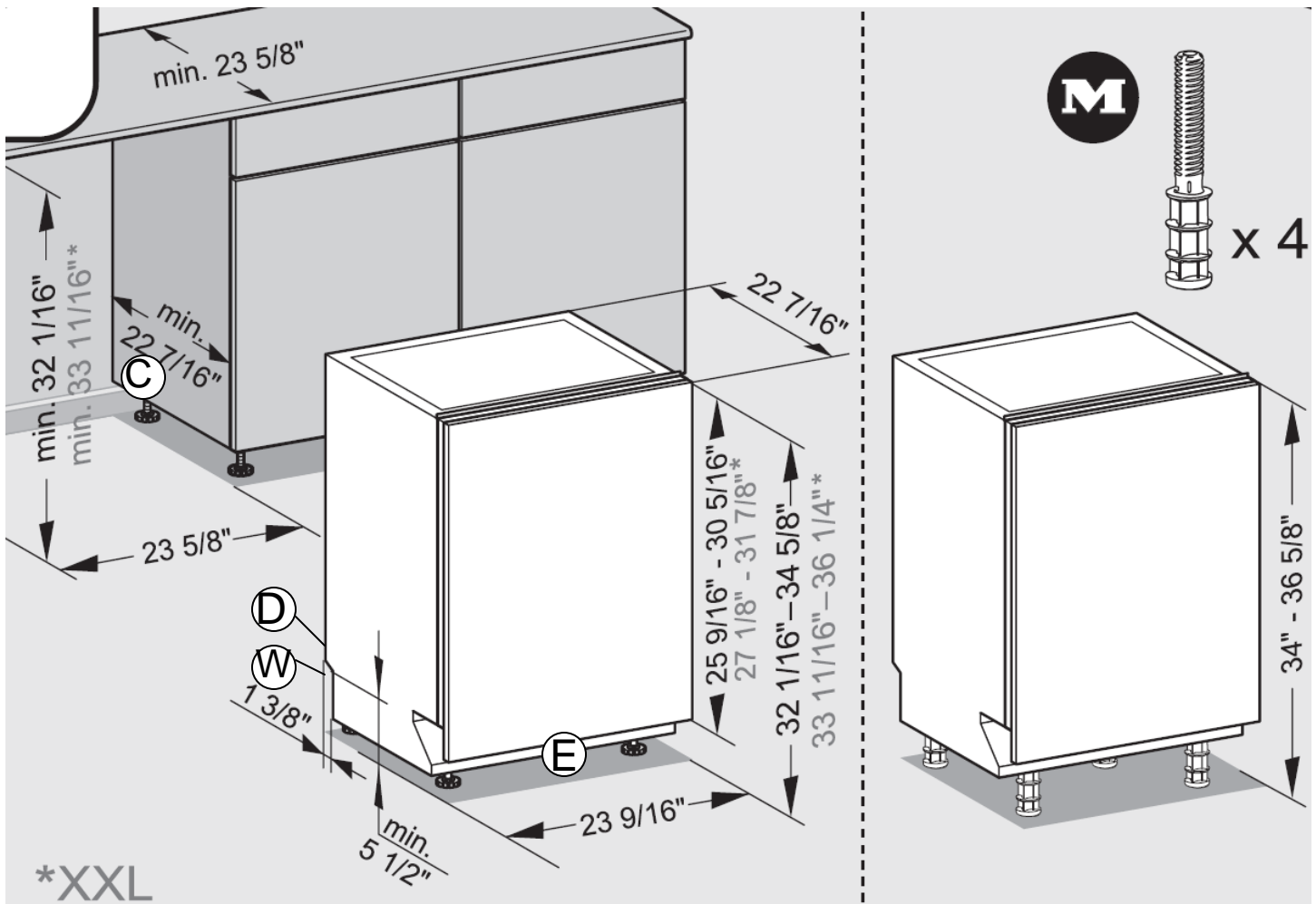


G4275 & G5X7X Fully Integrated Series Dishwashers



Location Codes

- C - Cutout (1 3/8" x 1 3/4") for water, drain and electric pass-through. Adjust according to water and drain location.
- D - 5 foot flexible drain hose connects lower center rear.
- E - 5 foot - 120 Volt - 15 Amp 3-wire molded plug power supply connects front terminal or can be hardwired.
- W - 5 foot flexible water intake hose with a 3/8" compression fitting nut connects lower center rear.

Notes

- All installations must be done in accordance with local codes

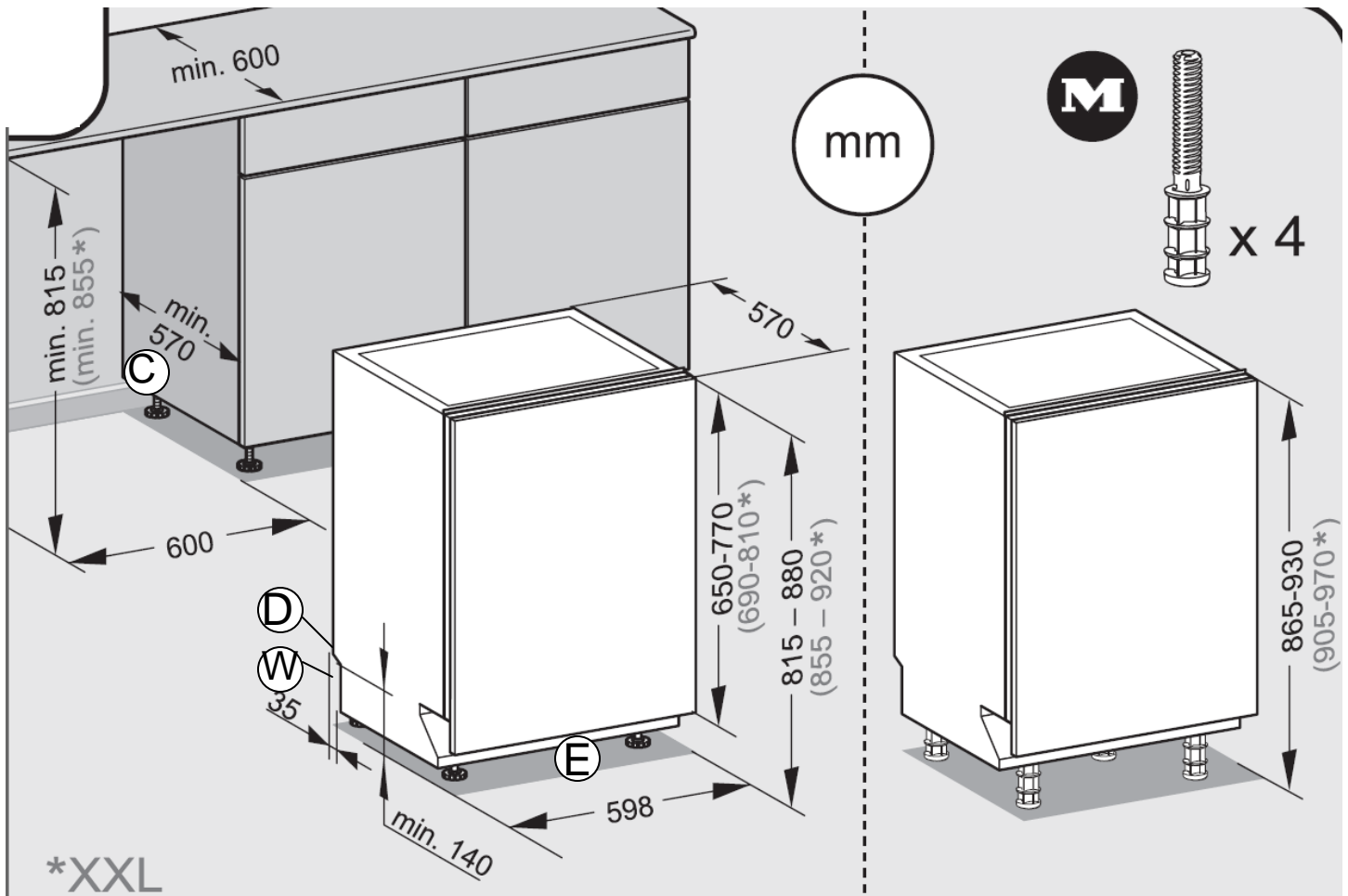
M UBS-1

This is a special accessory available to order at extra cost

Note: Drawing is not to scale

Specification Sheets OJS 06262011

G4275 & G5X7X Fully Integrated Series Dishwashers



*XXL

Location Codes

- C - Cutout (34mm x 35mm) for water, drain and electric pass-through. Adjust according to water and drain location.
- D - 1.5 meter flexible drain hose connects lower center rear.
- E - 1.5 meter - 120 Volt - 15 Amp 3-wire molded plug power supply connects at front terminal or can be hardwired..
- W - 1.5 meter flexible water intake hose with a 3/8" compression fitting nut connects lower center rear.

Notes

- All installations must be done in accordance with local codes

M UBS-1

This is a special accessory available to order at extra cost

Note: Drawing is not to scale

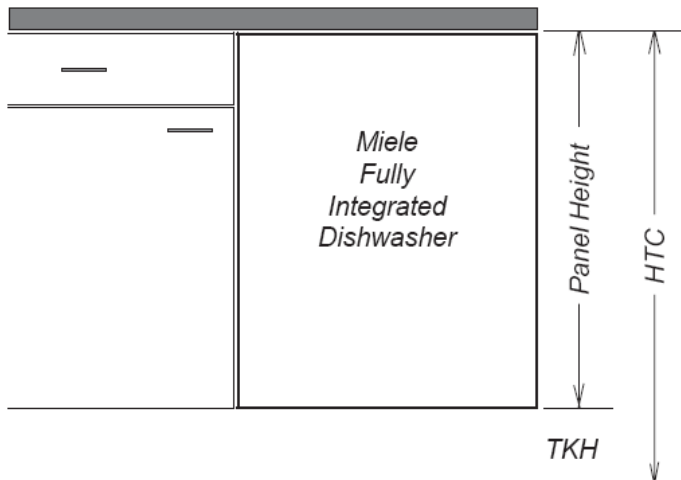
Specification Sheets OJS 06262011

G4275 & G5X7X Fully Integrated Series Dishwashers

Custom Panel Installations

Some Miele dishwashers do not come equipped with a front panel. These dishwashers are designed to accept a custom door panel supplied by the cabinet maker. Miele has a unique panel integration system which allows the dishwasher to align with the surrounding cabinets.

Panel size is determined in the following manner:



Width: 23 7/16" (598 mm) in all cases

Thickness: 3/4" (19 mm) in all cases

Height: Determined using the following calculation:

$$\text{Panel Height} = \text{HTC} - \text{TKH}$$

HTC = Height to the underside of countertop

TKH = Toe-kick height

Note: Control panel is along the top edge of the unit. It is not visible when the unit is closed. A handle **MUST** be located on the front panel in order to open the unit

Maximum panel height: 31 7/8" (809 mm)

Minimum panel height: 27 3/16" (690 mm)

Maximum panel weight: 21 Pounds (9.5 kg)

GFVi Installations

Miele offers pre-fabricated stainless steel panels for all fully integrated units. These panels are designed for various toe-kick heights and offer a choice of handle options.

Note: Drawing is not to scale

Specification Sheets OJS 06262011