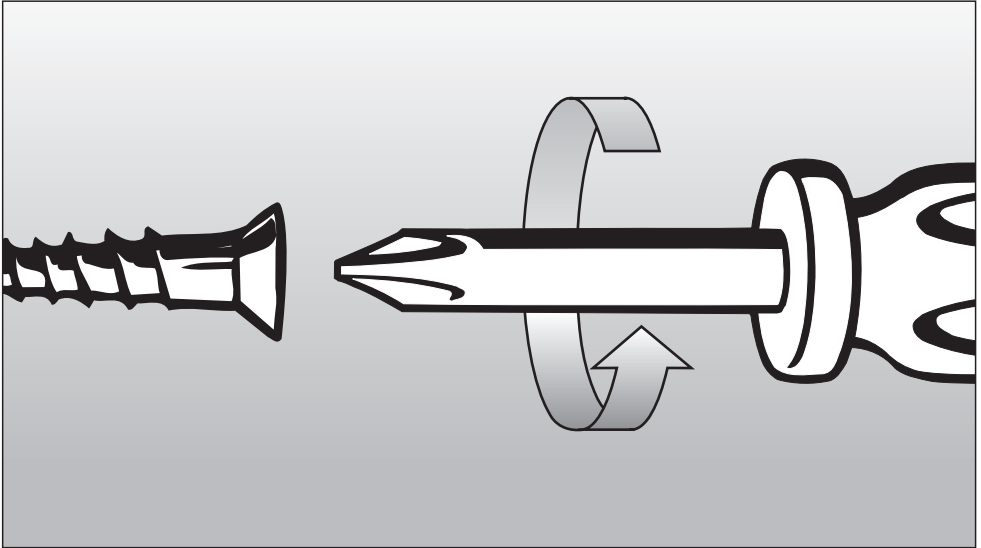


## Installation Instructions



### Ceramic Cooktops

KM 421

KM 424

KM 427

To prevent accidents and machine damage, read these instructions **before** installation or use.

en - US, CA

M.-Nr. 05 647 580

# Contents

---

<b>IMPORTANT SAFETY INSTRUCTIONS</b> .....	3
Installation .....	3
Safety distances above the appliance .....	4
<b>Appliance and cut-out dimensions</b> .....	5
KM 421.....	5
KM 424.....	6
KM 427.....	7
<b>Installation</b> .....	8
Installing the spring clips.....	8
Granite countertops .....	8
Installing the cooktop.....	9
<b>Electrical connection</b> .....	10

# IMPORTANT SAFETY INSTRUCTIONS

## Note to the installer:

Please leave these instructions with the consumer.

## Installation

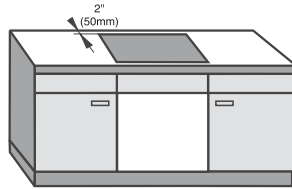
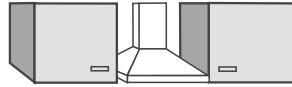
The minimum distances given in these instructions must be observed to ensure safe operation and to reduce the risk of fire.

To prevent damage, install cabinetry and the venting hood before installing the cooktop.

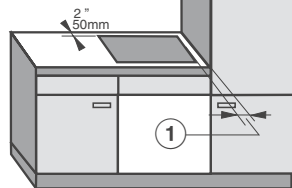
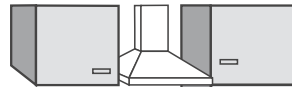
- ▶ The countertop must be bonded with heat resistant (212 °F/100 °C) adhesive to prevent distortion or dissolving.
- ▶ The cooktop should only be installed as shown in the illustrations, while maintaining the required safety distances shown. Do not install the cooktop between two tall cabinets, this is a fire hazard.

① A minimum distance of 2" (50 mm) from the cooktop to the rear wall and a side wall or cabinet must be maintained for safety.

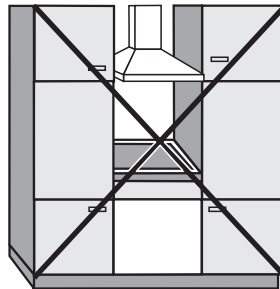
- ▶ To eliminate the risk of burns or fire by reaching over heated surfaces, cabinet storage space above the cooktop should be avoided. If cabinet storage is necessary, the risk can be reduced by installing a venting hood to project horizontally a minimum of 5" (127 mm) beyond the bottom of the cabinets.



recommended



not recommended



not allowed

# IMPORTANT SAFETY INSTRUCTIONS

► This equipment has not been designed for maritime use or for use in mobile installations such as aircraft or recreational vehicles. However, under certain circumstances it may be possible for an installation in these applications. Please contact the nearest Miele Dealer or the Miele Technical Service Department with specific requirements.

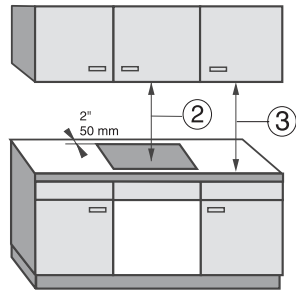
► Because of the heat radiated from this type of appliance we do not recommend installing it over a drawer. It should be installed in a cabinet base unit with a dummy drawer front and an additional protective barrier beneath the unit.

If there is a drawer directly underneath the cooktop, do not store aerosols, combustible liquids or easily flammable materials in it. If cutlery inserts are placed in the drawer, they must be heat resistant.

► The cooktop must not be installed over a dishwasher, washing machine, dryer, refrigerator or freezer. The high temperatures radiated downwards from this type of cooktop could damage these appliances.

► Make sure that the power cord to the cooktop does not come in contact with any mechanical parts once the cooktop has been installed.

## Safety distances above the appliance



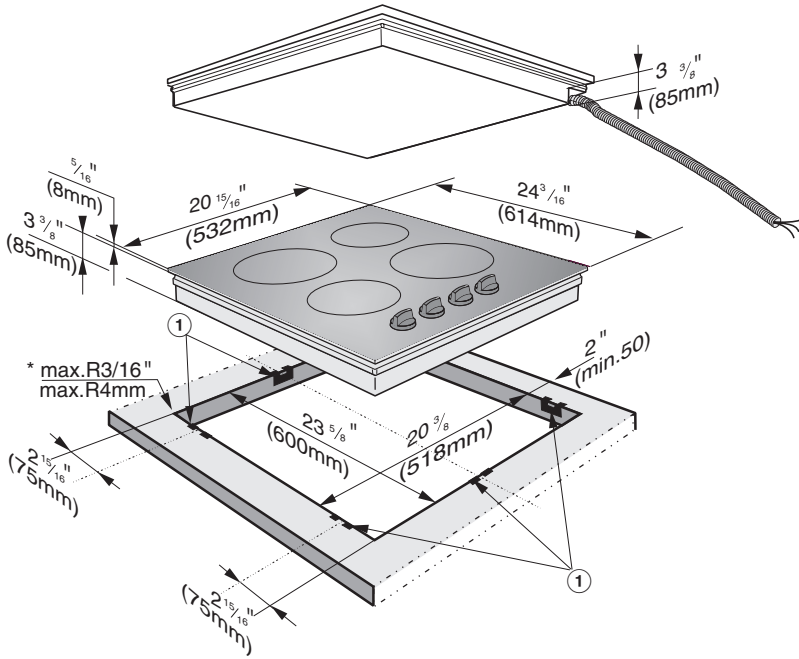
As a general rule there must be a safety distance of at least 30" (760 mm), ②, between the appliance and any flammable objects above it, e.g. cabinetry, venting hood or utensil rail. The minimum distance of combustible surfaces located above and to the side of the cooktop, ③, is 18" (457 mm).

If the manufacturer of these items recommends a different distance, follow that manufacturer's recommendation.

If more than one appliance is installed beneath a venting hood, and they have different minimum safety distances to the hood, select the higher safety distance of the two.

# Appliance and cut-out dimensions

## KM 421



### ① Spring clips

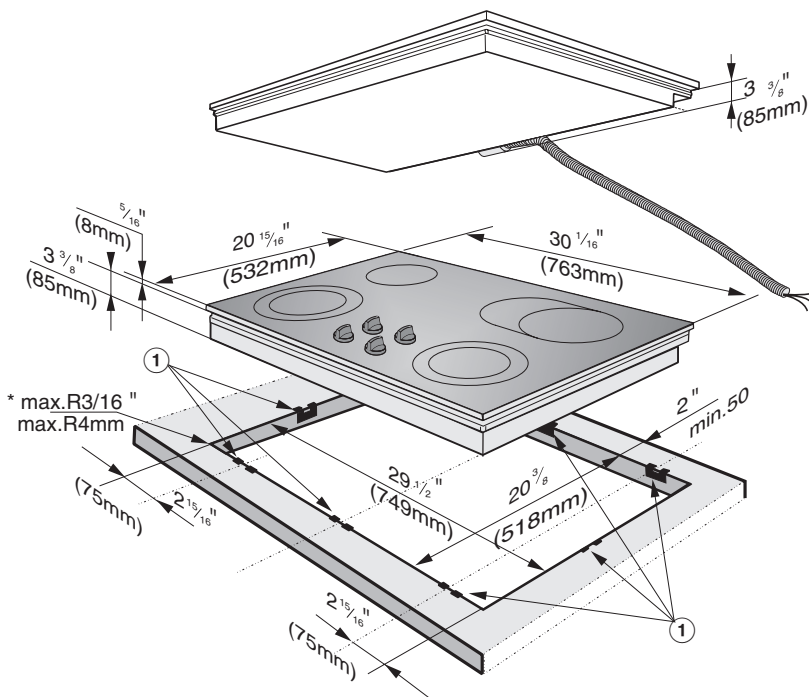
- Make the countertop cut-out following the dimensions given in the illustration.
- Remember to maintain a minimum distance of 2" (50 mm) between the rear wall and a right or left hand side wall. See also "Important safety instructions".
- Seal the cut surfaces with a suitable heat resistant sealant to avoid swelling caused by moisture.

If, during installation, the seal around the frame does not sit flush with the countertop or the corners, the corner radius max. R4 ( $\frac{3}{8}$ ") can be carefully filed down to fit.

\*Use max.  $\frac{3}{8}$ " drill bit.

# Appliance and cut-out dimensions

## KM 424



### ① Spring clips

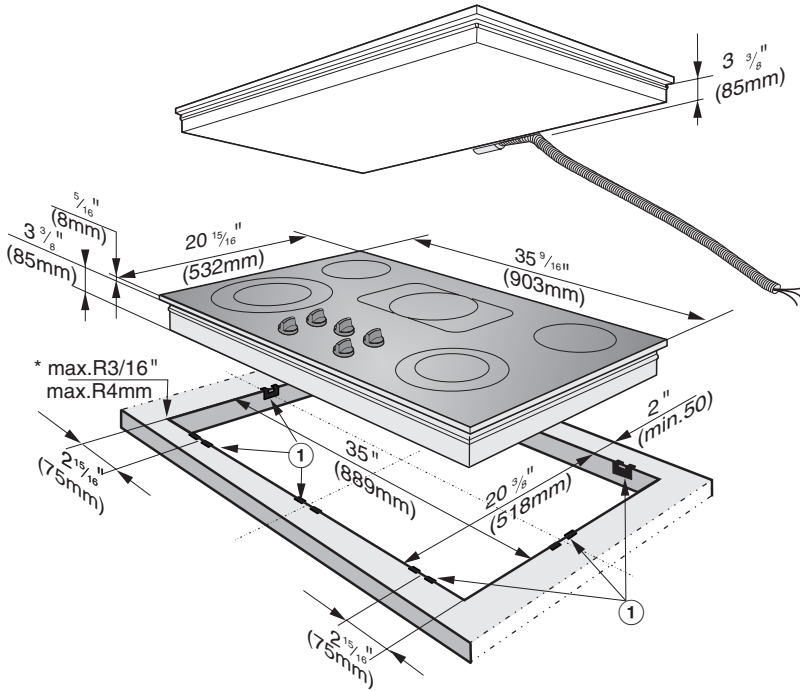
- Make the countertop cut-out following the dimensions given in the illustration.
- Remember to maintain a minimum distance of 2" (50 mm) between the rear wall and a right or left hand side wall. See also "Important safety instructions".
- Seal the cut surfaces with a suitable heat resistant sealant to avoid swelling caused by moisture.

If, during installation, the seal around the frame does not sit flush with the countertop or the corners, the corner radius max. R4 ( $\frac{3}{8}''$ ) can be carefully filed down to fit.

\*Use max.  $\frac{3}{8}''$  drill bit.

# Appliance and cut-out dimensions

## KM 427



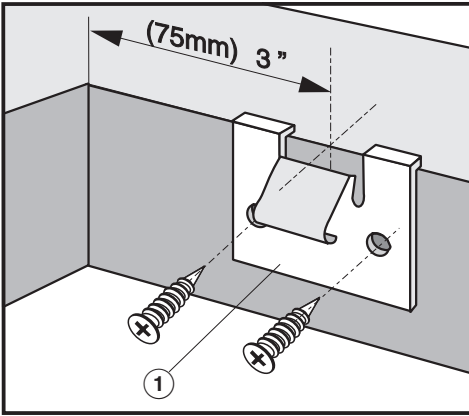
### ① Spring clips

- Make the countertop cut-out following the dimensions given in the illustration.
- Remember to maintain a minimum distance of 2" (50 mm) between the rear wall and a right or left hand side wall. See also "Important safety instructions".
- Seal the cut surfaces with a suitable heat resistant sealant to avoid swelling caused by moisture.

If, during installation, the seal around the frame does not sit flush with the countertop or the corners, the corner radius max. R4 ( $\frac{3}{8}$ " ) can be carefully filed down to fit.  
\*Use max.  $\frac{3}{8}$ " drill bit.

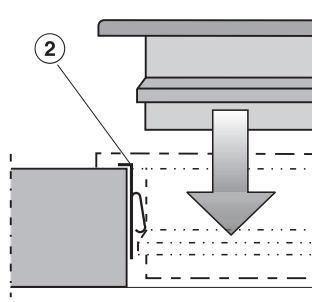
# Installation

## Installing the spring clips



- Fix the supplied spring clips, ①, at the marked positions as shown above, by laying them on the upper edge of the cut-out and then securing them with the 3.5 x 25 mm screws supplied.

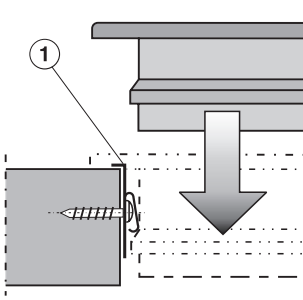
## Granite countertops



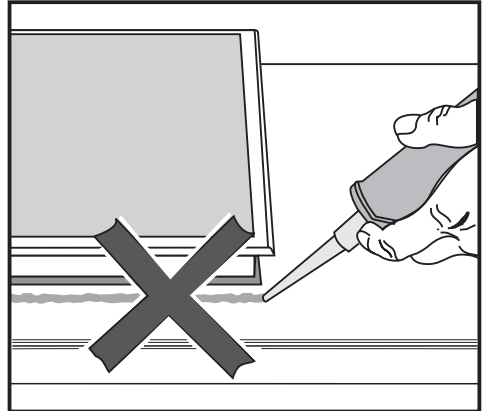
For granite countertops, the spring clips, ②, must be placed in position and secured with double-sided tape. In addition, coat the edges of the spring clips with silicone sealant. The screws are not needed for granite countertops.



## Installing the cooktop



- Feed the power cord down through the cut-out and connect the appliance to the power supply.
- Position the cooktop on the spring clips, ①.
- Then with a hand on each side of the cooktop press down on the edges evenly until it clicks into position. When doing so make sure that the cooktop seal sits tightly on the countertop to ensure a correct seal is provided.  
The cooktop can now only be removed with a special tool.



The cooktop must not be permanently sealed into the countertop when installed. The sealing strip under the edge of the cooktop provides a sufficient seal for the countertop.

If the cooktop is sealed into position, the countertop or appliance could be damaged if the cooktop needs to be removed for maintenance or service.

# Electrical connection

---

All electrical work should be by a qualified electrician in accordance with local and national codes. To reduce the risk of electric shock, disconnect the power supply by tripping the circuit breaker or removing the fuse to the unit before installation or service.

## ■ Note to the installer:

Please leave these instructions with the consumer.

## Power supply:

### Please check the data plate.

KM 421:

- 240 VAC, 60 Hz, 30 A fuse rating
- 208 VAC, 60 Hz, 30 A fuse rating

KM 424:

- 240 VAC, 60 Hz, 40 A fuse rating
- 208 VAC, 60 Hz, 40 A fuse rating

KM 427:

- 240 VAC, 60 Hz, 50 A fuse rating
- 208 VAC, 60 Hz, 50 A fuse rating

**Make sure your electrical supply matches the data plate.**

## Important

The appliance is provided with 3 leads; L1 (black), L2 (red) and GND (green). They must be connected to a dedicated line through the use of an approved junction box.

For further information, see the wiring diagram provided with the appliance.

## WARNING:

**THIS APPLIANCE MUST BE GROUNDED!**



**Please have the model and serial number  
of your appliance available before  
contacting Technical Service.**

---

The Miele logo is displayed in a bold, white, serif font against a solid black rectangular background.

**U.S.A.  
Miele, Inc.**

**National Headquarters**

9 Independence Way  
Princeton, NJ 08540  
Phone: 800-843-7231  
609-419-9898  
Fax: 609-419-4298  
[www.mieleusa.com](http://www.mieleusa.com)

**Technical Service & Support  
Nationwide**

Phone: 800-999-1360  
Fax: 888-586-8056  
[TechnicalService@mieleusa.com](mailto:TechnicalService@mieleusa.com)

**Germany**

Miele & Cie, KG  
Carl-Miele-Straße 29  
33332 Gütersloh

**Canada  
Miele Limited**

**Headquarters and Showroom**

161 Four Valley Drive  
Vaughan, ON L4K 4V8  
Phone: 800-643-5381  
905-660-9936  
Fax: 905-532-2290  
[www.miele.ca](http://www.miele.ca)  
[professional@miele.ca](mailto:professional@miele.ca)  
(commercial enquiries)

**MieleCare National Service**

Phone: 800-565-6435  
905-532-2272  
Fax: 905-532-2292  
[customercare@miele.ca](mailto:customercare@miele.ca)  
(general and technical enquiries)