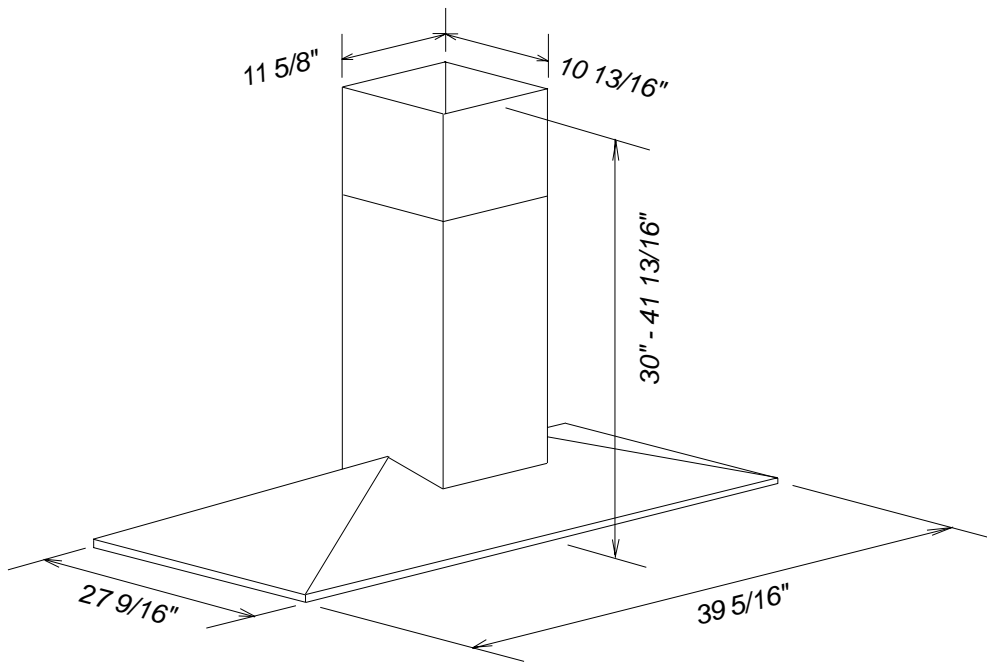
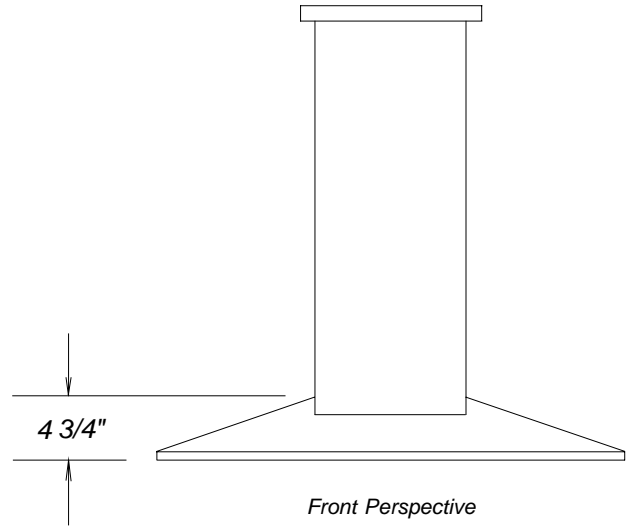
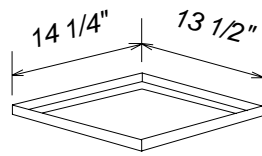


Product Dimensions

Decorator Island Hood

DA403



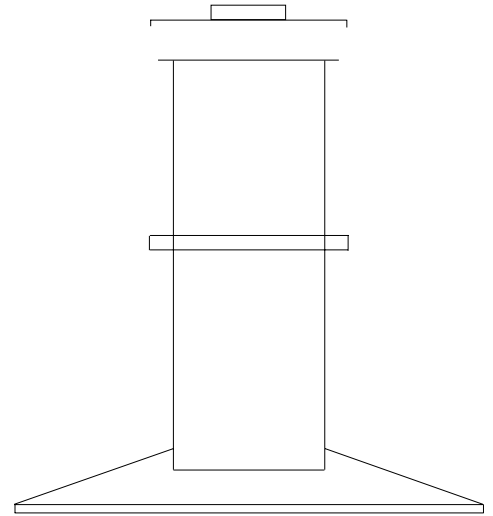
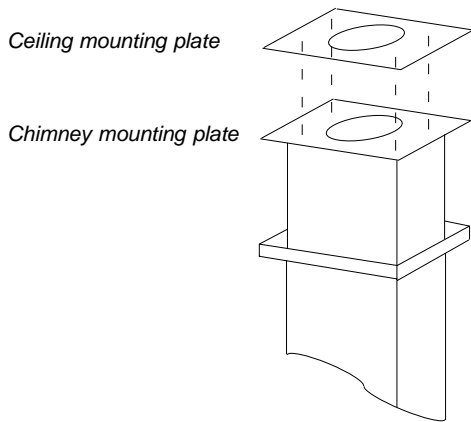
Location Codes
E - 110 Volt - 15 Amp 3-wire power supply connects at top of chimney.
Notes
<ul style="list-style-type: none"> All installations must be done in accordance with local codes. Mounting plate must be used. 6" duct connects to mounting plate at top of chimney.

NOTE: Drawing is not to scale.
SPECIFICATION SHEETS 100101

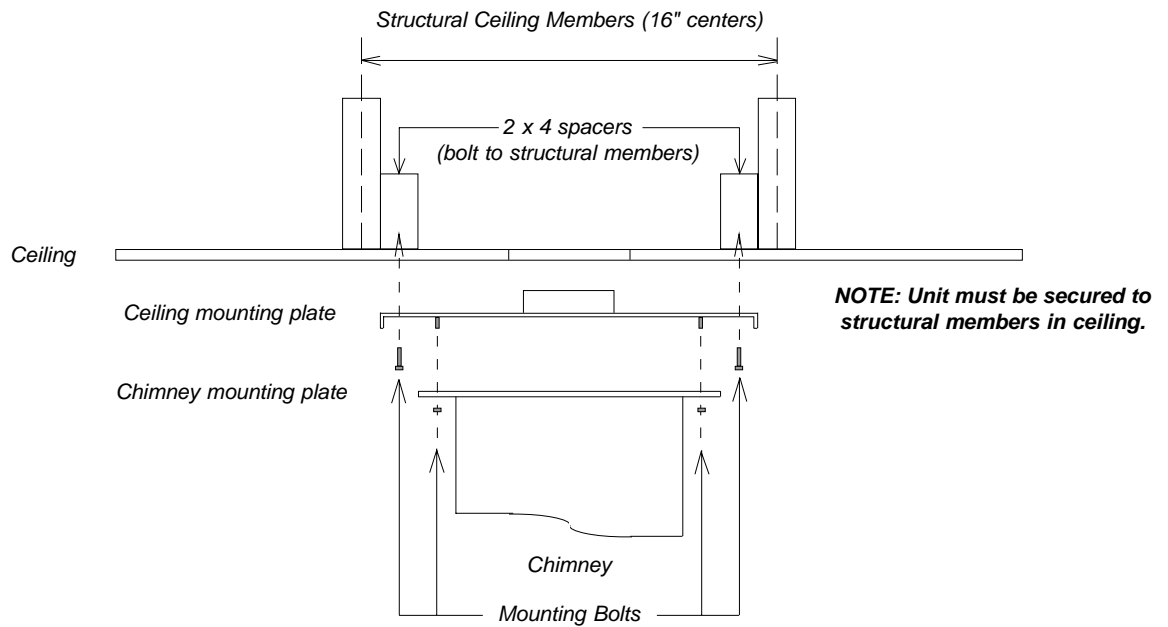
Installation Dimensions

Decorator Island Hood

DA403



Front Perspective



Notes

- Center unit over cooking surface
- Bolt spacers to structural members
- Attach ceiling mounting plate to spacers in ceiling using supplied mounting bolts
- External ducting connects to ceiling mounting plate
- Connect chimney mounting plate to ceiling mounting plate using supplied mounting bolts.

NOTE: Drawing is not to scale.
SPECIFICATION SHEETS 100101